

ROOF REPLACEMENT ALBANY READINESS CENTER

ALBANY, MISSOURI 64402

LOCATION MAP:



OWNER:

STATE OF MISSOURI
MICHAEL L. PARSON,
GOVERNOR

DEPARTMENT OF PUBLIC SAFETY
MISSOURI NATIONAL GUARD
OFFICE OF ADJUTANT GENERAL

PROJECT
MANAGEMENT:

OFFICE OF ADMINISTRATION
DIVISION OF FACILITIES MANAGEMENT,
DESIGN AND CONSTRUCTION



DESIGNERS:

ARCHITECTS:
ELLISON-AUXIER ARCHITECTS, INC.
924 FRANCIS
ST. JOSEPH, MO 64501

PROJECT NO: T2001-01
SITE NO: 6251
ASSET NO: 8136251003

CODE INFORMATION:

INTERNATIONAL BUILDING CODE (IBC) 2018
UNIFORM PLUMBING CODE (UPC) 2012
NATIONAL ELECTRIC CODE (NEC) 2011
INTERNATIONAL CODE COUNCIL (ICC)/AMERICAN
NATIONAL STANDARDS INSTITUTE (ANSI) A117.1 2003

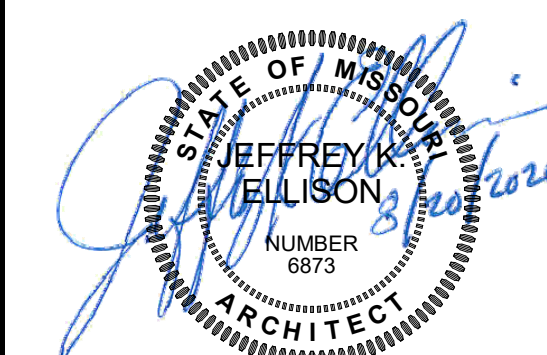
CONSTRUCTION TYPE: 2B

USE GROUP: B (BUSINESS) & A-2 (ASSEMBLY)

SHEET NUMBER

G-001

08/20/2020 1 OF 2 SHEETS



JEFFREY K. ELLISON, ARCHITECT
MO # A-6873

PROFESSIONAL SEAL



ELLISON - AUXIER
ARCHITECTS
924 FRANCIS ST.
ST. JOSEPH, MO 64501
P: 816-233-8003 F: 816-233-7793
www.ellison-auxier.com

OFFICE OF ADMINISTRATION
DIVISION OF FACILITIES
MANAGEMENT,
DESIGN AND
CONSTRUCTION

MISSOURI NATIONAL GUARD

ROOF REPLACEMENT
ALBANY READINESS
CENTER

411 NORTH COLLEGE
STREET
ALBANY, MISSOURI

PROJECT #: T2001-01
SITE #: 6251
ASSET#: 8136251003

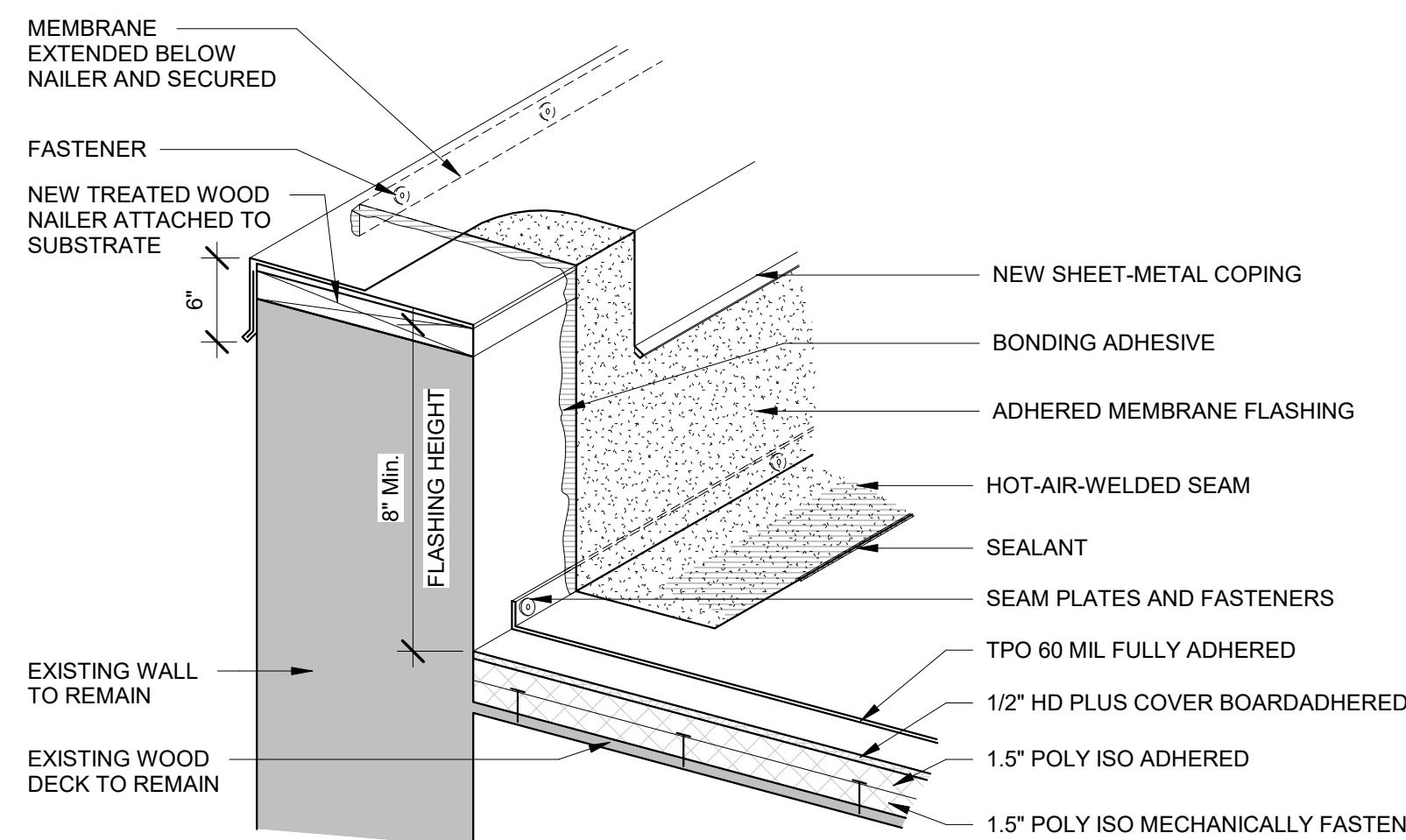
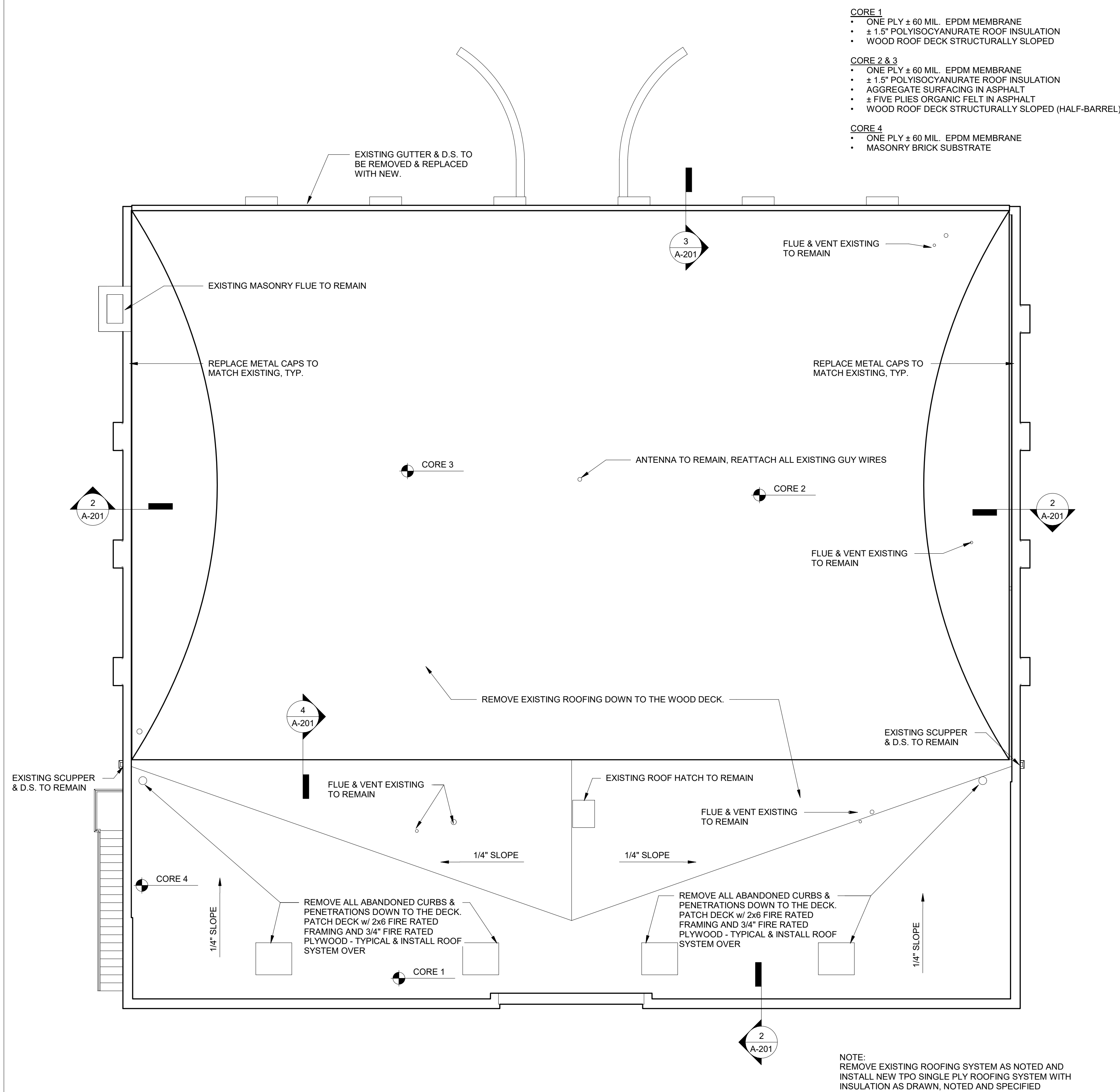
REVISION: _____
DATE: _____
REVISION: _____
DATE: _____
REVISION: _____
DATE: _____
ISSUE DATE: 08/20/2020

CAD DWG FILE: T2001-0-4951-A-201.DWG
DRAWN BY: AML
CHECKED BY: JKE
DESIGNED BY: JKE

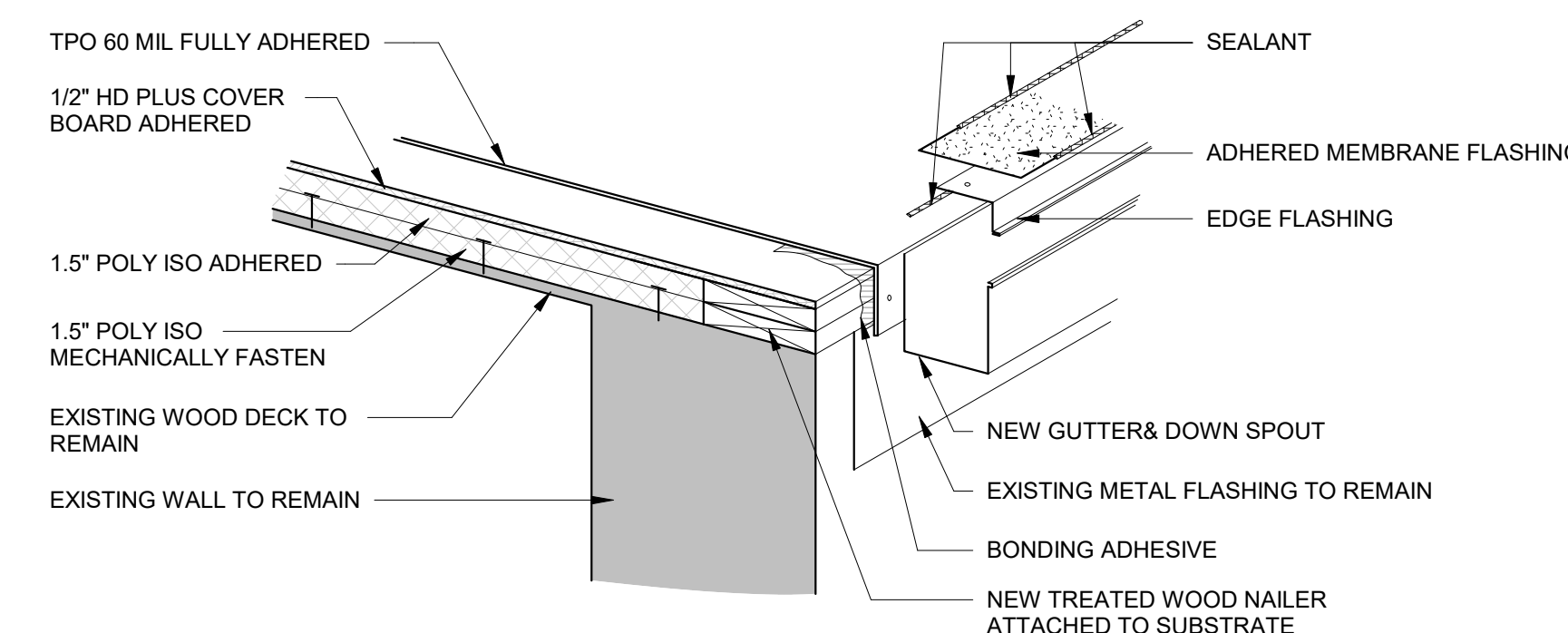
SHEET TITLE:
ROOF PLAN

SHEET NUMBER:

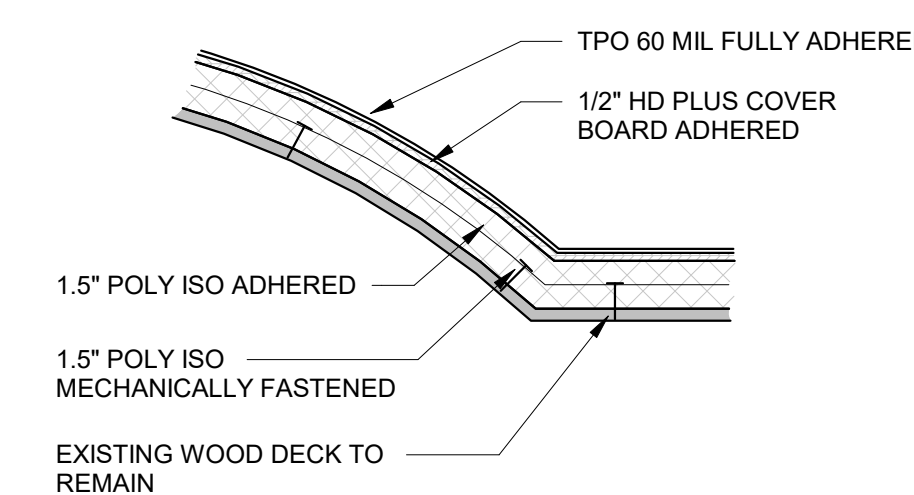
A-201



2
SCALE: 1" = 1'-0"



3
SCALE: 1" = 1'-0"



4
SCALE: 1" = 1'-0"

1
SCALE: 1/8" = 1'-0"

