

REPLACE CONCRETE DRIVEWAY HIGGINSVILLE VETERANS CEMETERY HIGGINSVILLE, MISSOURI

OWNER: STATE OF MISSOURI
MIKE KEHOE,
GOVERNOR

DEPARTMENT OF
PUBLIC SAFETY/VETERANS COMMISSION

PROJECT
MANAGEMENT: OFFICE OF ADMINISTRATION
DIVISION OF FACILITIES MANAGEMENT,
DESIGN AND CONSTRUCTION



DESIGNER: STATE OF MISSOURI -
OA-FMDC PROJECT DESIGN UNIT
301 W. HIGH STREET
JEFFERSON CITY, MO. 65102

PROJECT NUMBER: U2603-01

ASSET NUMBER: 8136902006 & 676902006

SHEET LIST:	
1. Cover Sheet	G-001
2. Site Plan	C-100
3. Details	C-500

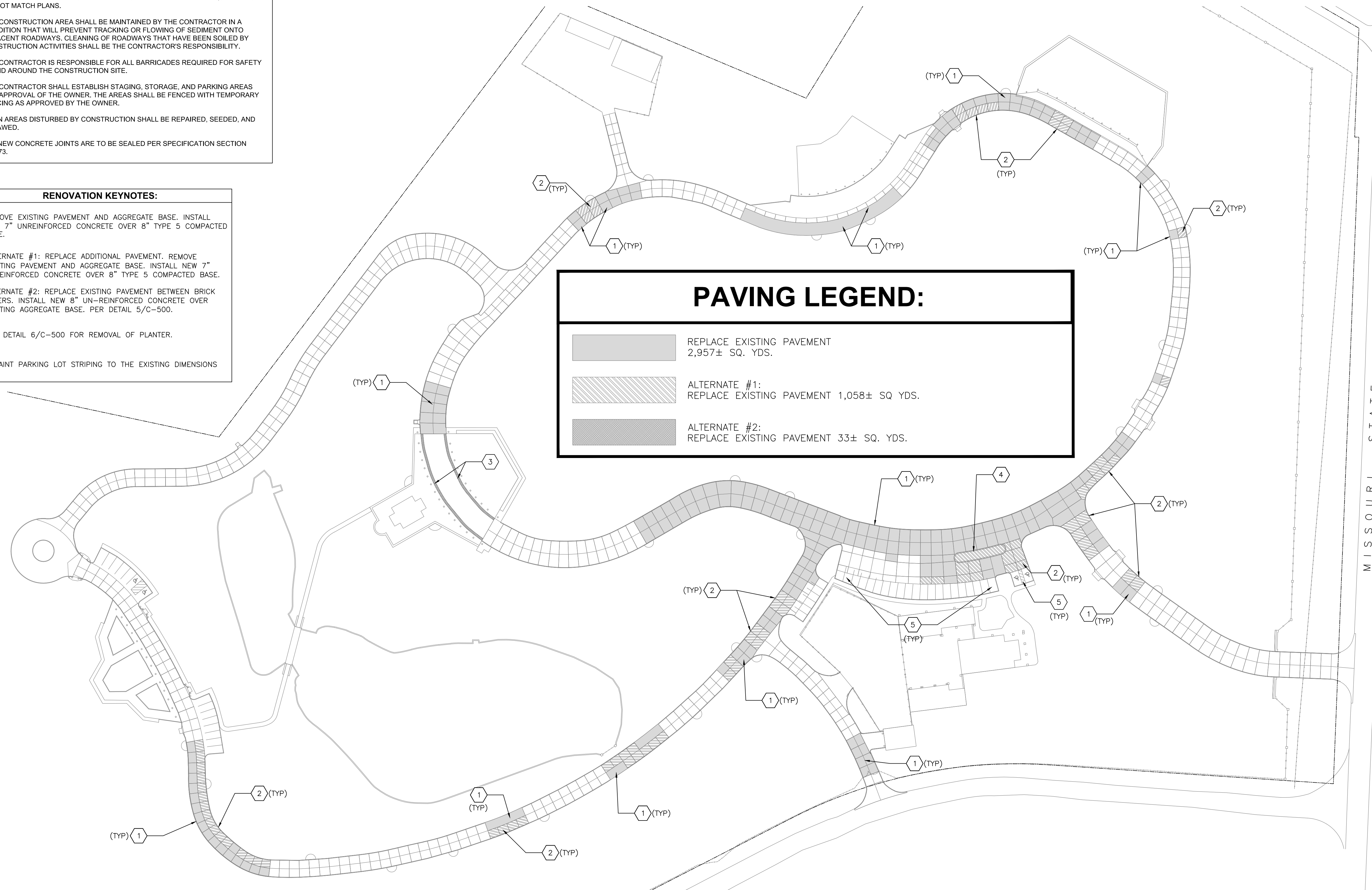
SHEET NUMBER:

G-001

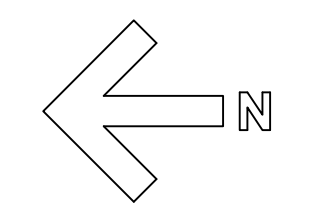
1 OF 3 SHEETS
4/9/2026

- GENERAL NOTES:**
- MOST OF THE PROJECT IS A REMOVE AND REPLACE TYPE OF CONSTRUCTION. AS SUCH, MOST AREAS DO NOT HAVE DETAILED GRADING DESIGN, AS THE REPLACEMENT PAVING WILL MATCH EXISTING PAVING AND POSITIVE DRAINAGE SHALL BE MAINTAINED.
 - MATCH EXISTING EXPANSION AND CONTROL JOINT LAYOUT IN NEW PAVEMENT.
 - PROVIDE LIGHT BROOM FINISH ON ALL NEW PAVEMENT.
 - A SAW CUT OF THE FULL DEPTH OF EXISTING PAVEMENT SHALL BE PROVIDED AT LOCATIONS WHERE PROPOSED CONSTRUCTION ABUTS AN EXISTING PAVEMENT THAT WILL REMAIN.
 - ALL DEMOLISHED MATERIALS SHALL BE REMOVED FROM SITE DAILY AND LEGALLY DISPOSED OF.
 - A SEPARATE DEMOLITION PLAN HAS NOT BEEN DEVELOPED AS MOST AREAS CONSIST OF REPLACEMENT PAVING AND CURB TO MATCH EXISTING.
 - QUANTITY DISCLAIMER: QUANTITIES ARE SHOWN ON THE PLAN SHEET, SUCH AS AREAS OF PAVING. THE CONTRACTOR IS RESPONSIBLE FOR VERIFYING ALL QUANTITIES AND NO ADDITIONAL PAYMENTS WILL BE MADE IF FINAL QUANTITIES DO NOT MATCH PLANS.
 - THE CONSTRUCTION AREA SHALL BE MAINTAINED BY THE CONTRACTOR IN A CONDITION THAT WILL PREVENT TRACKING OR FLOWING OF SEDIMENT ONTO ADJACENT ROADWAYS. CLEANING OF ROADWAYS THAT HAVE BEEN SOILED BY CONSTRUCTION ACTIVITIES SHALL BE THE CONTRACTOR'S RESPONSIBILITY.
 - THE CONTRACTOR IS RESPONSIBLE FOR ALL BARRICADES REQUIRED FOR SAFETY IN AND AROUND THE CONSTRUCTION SITE.
 - THE CONTRACTOR SHALL ESTABLISH STAGING, STORAGE, AND PARKING AREAS PER APPROVAL OF THE OWNER. THE AREAS SHALL BE FENCED WITH TEMPORARY FENCING AS APPROVED BY THE OWNER.
 - LAWN AREAS DISTURBED BY CONSTRUCTION SHALL BE REPAIRED, SEEDED, AND STRAWED.
 - ALL NEW CONCRETE JOINTS ARE TO BE SEALED PER SPECIFICATION SECTION 321373.

- RENOVATION KEYNOTES:**
- REMOVE EXISTING PAVEMENT AND AGGREGATE BASE. INSTALL NEW 7" UNREINFORCED CONCRETE OVER 8" TYPE 5 COMPACTED BASE.
 - ALTERNATE #1: REPLACE ADDITIONAL PAVEMENT. REMOVE EXISTING PAVEMENT AND AGGREGATE BASE. INSTALL NEW 7" UNREINFORCED CONCRETE OVER 8" TYPE 5 COMPACTED BASE.
 - ALTERNATE #2: REPLACE EXISTING PAVEMENT BETWEEN BRICK PAVERS. INSTALL NEW 8" UN-REINFORCED CONCRETE OVER EXISTING AGGREGATE BASE. PER DETAIL 5/C-500.
 - SEE DETAIL 6/C-500 FOR REMOVAL OF PLANTER.
 - REPAINT PARKING LOT STRIPING TO THE EXISTING DIMENSIONS



1 SITE PLAN
1" = 60'-0"



MISSOURI STATE R.T. 13



Brad M. Schaefer - Architect
MO# A-2009027294

BID DOCUMENTS

OFFICE OF ADMINISTRATION
DIVISION OF FACILITIES
MANAGEMENT,
DESIGN AND CONSTRUCTION

DEPARTMENT OF
PUBLIC SAFETY/
VETERANS COMMISSION

REPLACE CONCRETE
DRIVEWAY

HIGGINSVILLE VETERANS
HOME
20109 BUSINESS HIGHWAY 13
HIGGINSVILLE, MO 64037

PROJECT # U2603-01
SITE # 6902
ASSET # 8136902006 &
676902006

REVISION: _____
DATE: _____
REVISION: _____
DATE: _____
REVISION: _____
DATE: _____

ISSUE DATE: _____

CAD DWG FILE: _____
DRAWN BY: FML
CHECKED BY: LB
DESIGNED BY: LB

SHEET TITLE:
SITE PLAN

SHEET NUMBER:

C-100

2 OF 3 SHEETS
4/9/2026



Brad M. Schaefer - Architect
MO# A-2009027294

BID DOCUMENTS

OFFICE OF ADMINISTRATION
DIVISION OF FACILITIES
MANAGEMENT,
DESIGN AND CONSTRUCTION

DEPARTMENT OF
PUBLIC SAFETY/
VETERANS COMMISSION

REPLACE CONCRETE
DRIVEWAY

HIGGINSVILLE VETERANS
HOME
20109 BUSINESS HIGHWAY 13
HIGGINSVILLE, MO 64037

PROJECT # U2603-01
SITE # 6902
ASSET # 8136902006 &
676902006

REVISION: _____
DATE: _____
REVISION: _____
DATE: _____
REVISION: _____
DATE: _____
ISSUE DATE: _____

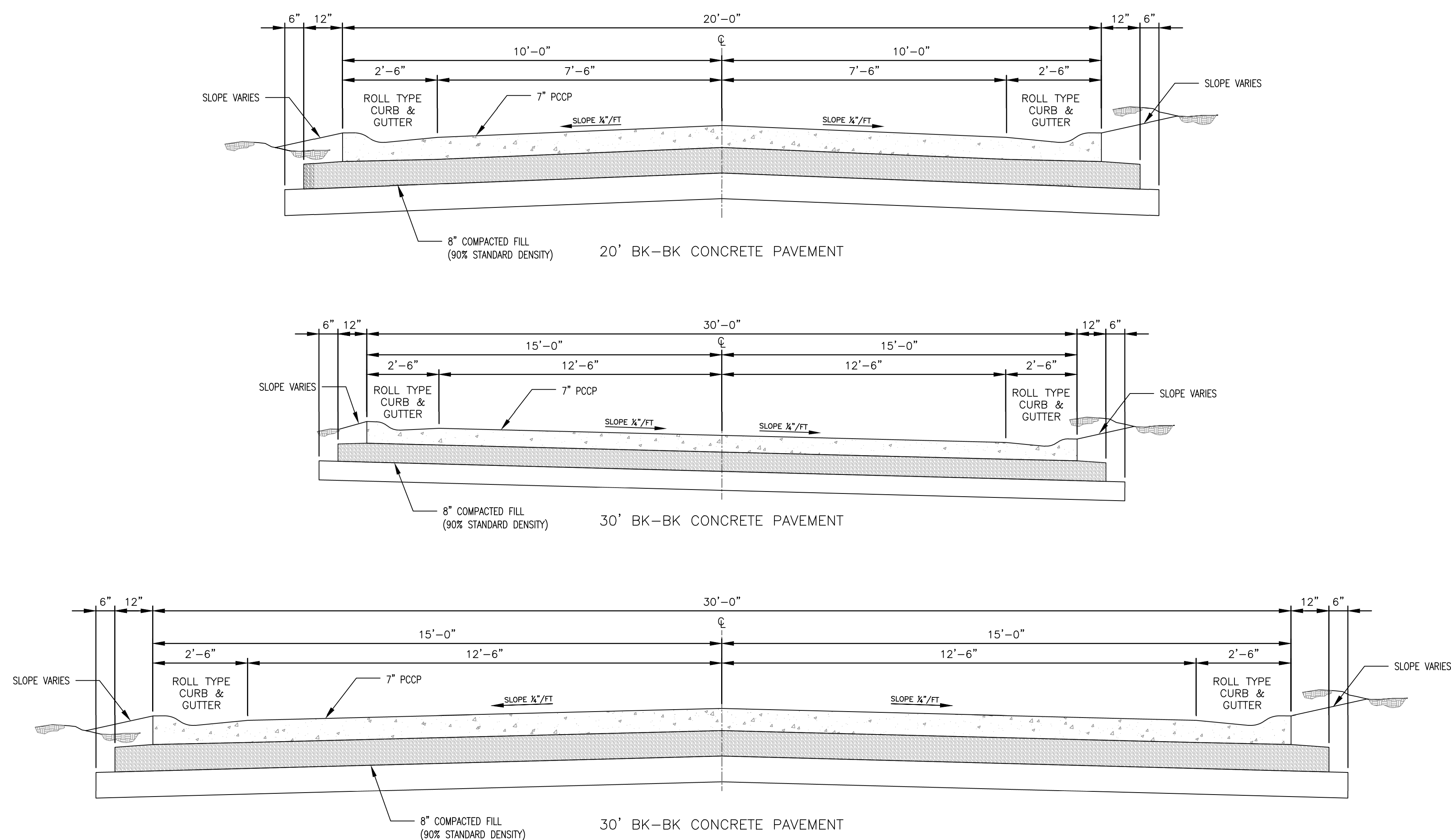
CAD DWG FILE: _____
DRAWN BY: FML
CHECKED BY: LB
DESIGNED BY: LB

SHEET TITLE:
DETAILS

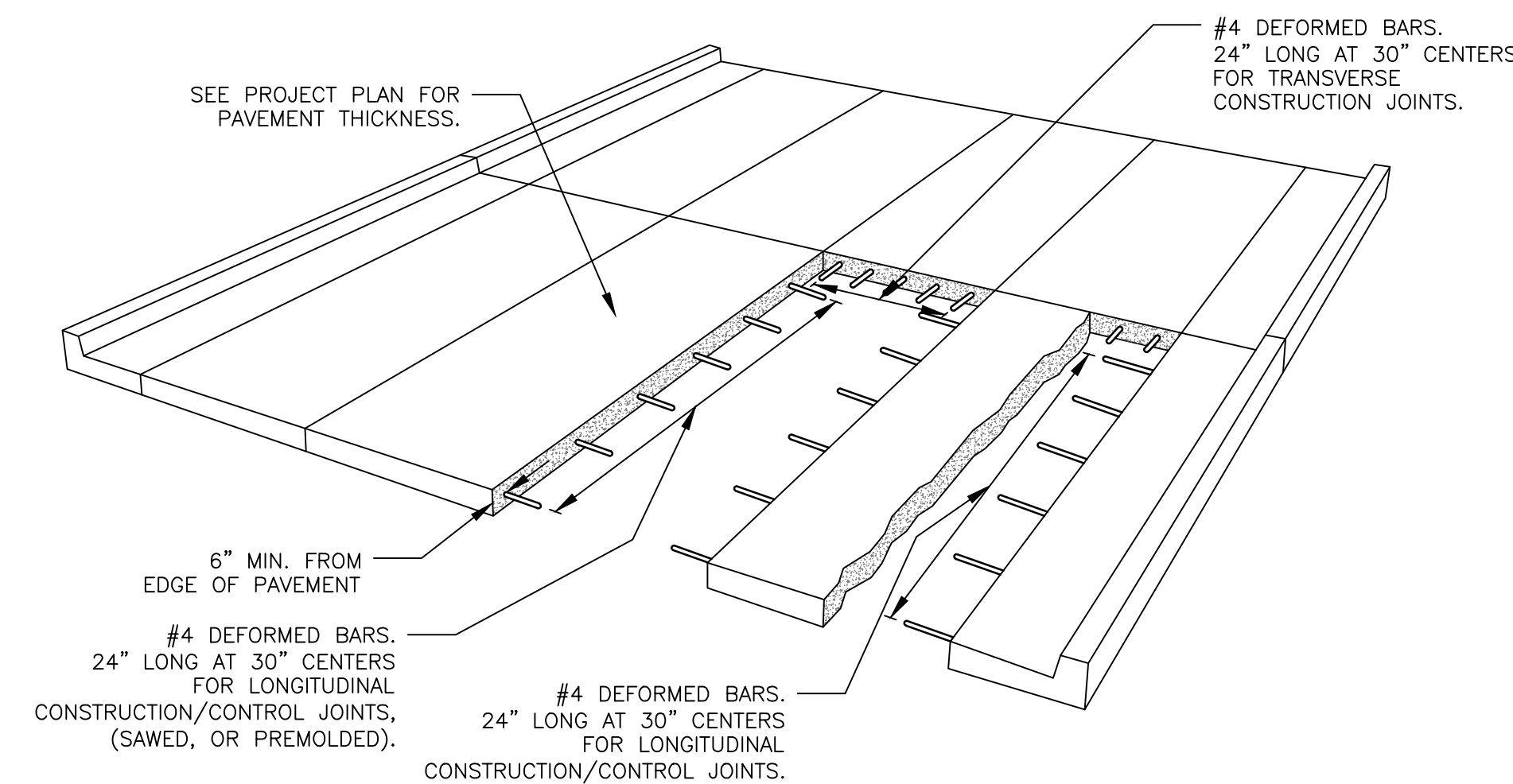
SHEET NUMBER:

C-500

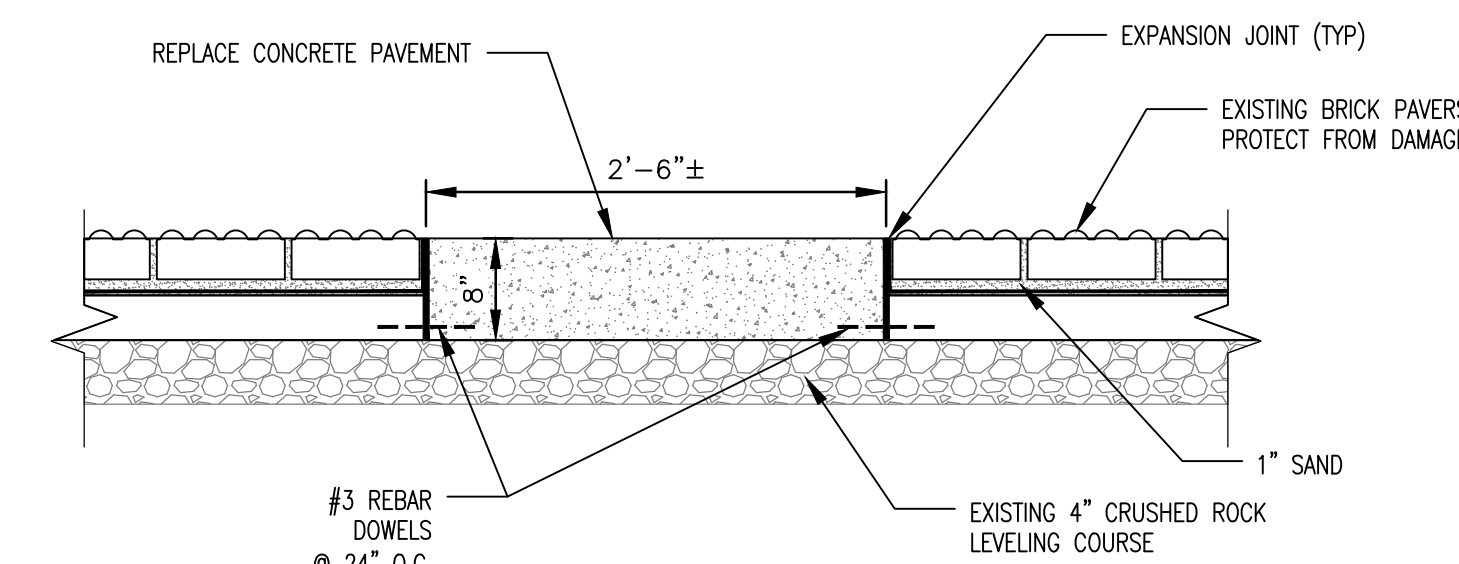
3 OF 3 SHEETS
4/9/2026



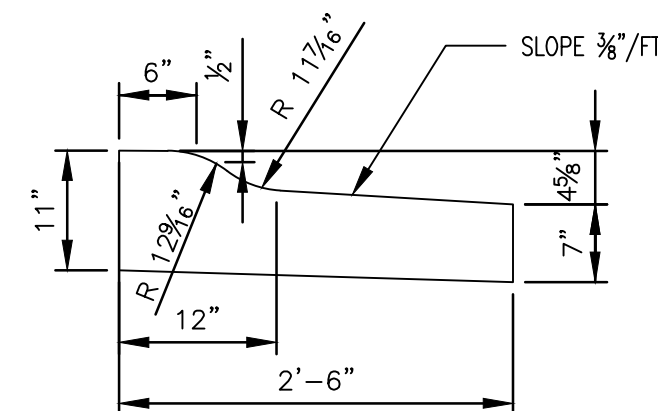
1 STREET TYPICAL SECTIONS
N.T.S.



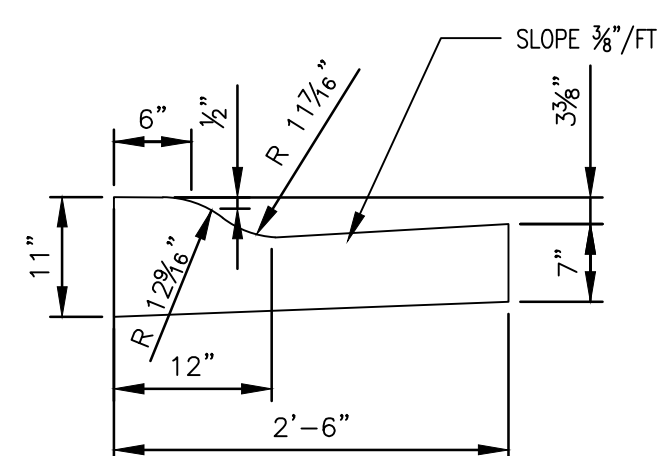
4 REINFORCEMENT FOR PCC PAVEMENT
N.T.S.



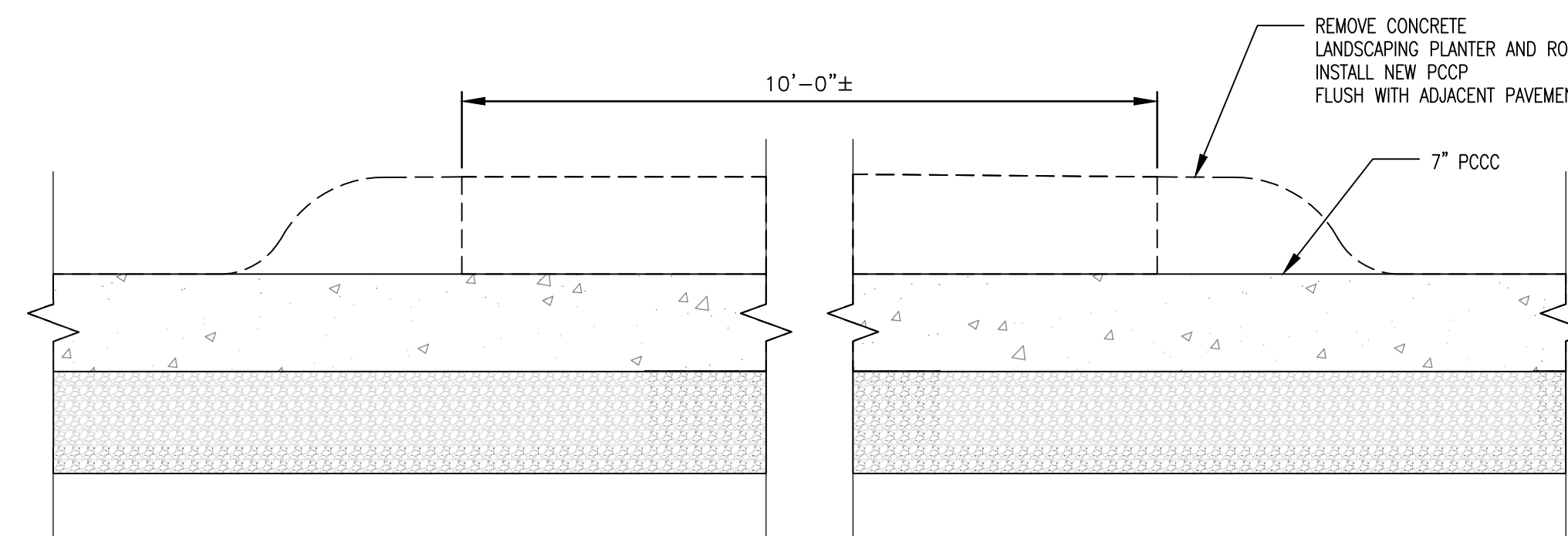
5 PAVER SECTION
N.T.S.



2 REVERSE ROLL TYPE CURB & GUTTER
N.T.S.



3 ROLL TYPE CURB & GUTTER
N.T.S.



6 PLANTER SECTION
N.T.S.