

ADDENDUM NO. 2

TO: PLANS AND SPECIFICATIONS FOR STATE OF MISSOURI

**Sewer Renovations Track-Lagoon
Finger Lakes State Park
Columbia, Missouri
PROJECT NO.: X2334-01**

Bid Opening Date: 1:30 PM, Nov 14, 2024 (Changed)

Bidders are hereby informed of the following:

SPECIFICATION CHANGES:

SECTION 004113 – BID FORM – Revise as Stated:

“The bidder agrees to complete the work within 240 working days from the date of Notice of Intent to Award is issued as modified by additional days added by the Owner’s acceptance of alternates, if applicable. This includes ten (10) working days for document mailing and processing. The Bidder further agrees to pay to or allow the State as liquidated damages the sum of \$1,000 for each working day thereafter that the entire work is not substantially complete.”

The contracted time to complete the work is now changed to 240 Working Days.

DRAWING CHANGES:

C-103

1. Field Zone layout updated from 8 zones to 10 zones per supplier request.
2. Key Note “C” updated. No hydro-indexing valve will be used for this project, only solenoid zone valves.
3. Sub-manifold, cleanouts and air releases updated to match revised layout.

C-201

1. Detail 7 updated to reflect 10 zones instead of 8 zones. Control wiring note emphasized.

C-203

1. Detail 5 eliminated.

E-101

1. Boone Electric Coordination note updated to show contractor is responsible for including Boone Electric fees in their base bid.

GENERAL:

1. The Pre-Bid Meeting was held on October, 24 2024 at 2:00 PM.
2. Site Inspection occurred immediately after the formal Pre-Bid Meeting at Finger Lakes State Park.
3. Bidders needing an additional site inspection should contact Derek Mutter at (573) 443-5315 derek.mutter@dnr.mo.gov.
4. Please contact April Howser, Contract Specialist, at (573) 751-0053 for questions regarding bidding procedures and MBE/WBE/SDVE goals and submittal requirements.
5. Changes to, or clarification of, the bid documents are only made as issued in the addenda.
6. Current Plan Holders list is available online at: [X2334-01 Sewer Renovations - Track Lagoon Finger Lakes State Park: Plan Holders: State of Missouri Office of Administration \(oafmdcplanroom.com\)](https://oafmdcplanroom.com)
7. Prospective Bidders contact American Document Solutions, 1400 Forum Blvd Suite 1C, Columbia MO 65201, 573-446-7768 to order official plans and specifications.
8. All bids shall be submitted on the bid form without additional terms and conditions, modifications, or stipulations. Each space on the bid form shall be properly filled. Failure to do so will result in rejections of the bid.
9. MBE/WBE/SDVE participation requirements can be found in DIVISION 00. The MBE/WBE/SDVE participation goals are 0% / 0% / 3% respectively. Only certified firms as of the bid opening date can be used to satisfy the MBE/WBE/SDVE participation goals for this project. If a bidder is unable to meet a participation goal, a Good Faith Effort Determination Form must be completed. Failure to complete this process will result in rejection of the bid.

ATTACHMENTS:

C-103

C-201

C-203

E-101

November 5, 2024

END OF ADDENDUM NO. 2

SECTION 004113 - BID FORM

PER ADDENDUM No. 2

1.0 BID

A. From:

(Bidder's Name)

herein after called the "**Bidder**".

B. To:

Director, Division of Facilities Management, Design and Construction
Room 730, Harry S Truman State Office Building
301 West High Street
Jefferson City, Missouri 65101

herein after called the "**Owner**."

C. For:

Sewer Renovations - Track Lagoon
Finger Lakes State Park
Columbia, Missouri

D. Project Number:

X2334-01

hereinafter called the "**Work**."

E. Documents:

The undersigned, having examined and being familiar with the local conditions affecting the work and with the complete set of contract documents, including the Drawings, the Invitation For Bid, Instructions To Bidders, Statement of Bidders Qualifications, General Conditions, Supplement to General Conditions, and the technical specifications, including: addenda number _____ through _____ hereby proposes to perform the Work for the following:

F. Bid Amount:

_____ Dollars (\$ _____)

G. Allowances:

See Section 012100 for details. (30 Bad Weather Days)

2.0 MBE/WBE/SDVE PERCENTAGE OF PARTICIPATION PROJECT GOALS

A. This project's specific goals are **MBE 0%**, **WBE 0%**, and **SDVE 3%**. NOTE: Only MBE/WBE firms certified by the State of Missouri Office of Equal Opportunity, and SDVE(s) meeting the requirements of Section 34.074, RSMo, and 1 CSR 30-5.010, as of the date of bid opening can be used to satisfy the MBE/WBE/SDVE participation goals for this project.

3.0 BID BOND

A. Accompanying the bid is: ___ 5% Bid Bond or ___ Cashier's Check/Bank Draft for 5% of base bid that is payable without condition to the Division of Facilities Management, Design and Construction, State of Missouri, as per Article 5 of "Instructions To Bidders".

4.0 CONTRACT COMPLETION TIME AND LIQUIDATED DAMAGES

A. The Bidder agrees to complete the work within **240 working days** from the date the Notice of Intent to Award is issued as modified by additional days added by the Owner's acceptance of alternates, if applicable. This includes ten (10) working days for document mailing and processing. The Bidder further agrees to pay to or allow the State as **liquidated damages the sum of \$1,000** for each working day thereafter that the entire work is not substantially complete.

5.0 ATTACHMENTS TO BID

A.	004322	Unit Prices Form
	004336	Proposed Subcontractors
	004337	MBE/WBE/SDVE Compliance Form
	004338	MBE/WBE/SDVE Joint Venture Form
	004339	MBE/WBE/SDVE Waiver Form
	004340	SDVE Business Form
	004541	Affidavit of Work Authorization
	004545	Anti-Discrimination Against Israel Act Certification form.

6.0 BIDDER'S CERTIFICATIONS

By signing and submitting this bid form, the Bidder certifies as follows:

A. No Undisclosed Interests or Associations, Collusion, or Solicitation of Other Bidders

1. This bid is genuine and is not made in the interest of or on behalf of any undisclosed person, firm, or corporation, and is not submitted in conformity with any agreement or rules of any group, association or corporation.
2. The Bidder has not directly or indirectly induced or solicited any other bidder to put in a false or sham proposal.
3. The Bidder has not solicited or induced any person, firm or corporation to refrain from submitting a bid.
4. The Bidder has not sought by collusion or otherwise to obtain any advantage over any other bidder or over the Owner.

B. Accuracy of Contract Documents

The Bidder has based this bid upon an official/complete set of contract documents, either obtained from the Owner or from a secondary source known to the Bidder to have provided a complete and accurate set of contract documents. If the Bidder received the contract documents from such a secondary source, any errors or omissions in the contract documents shall be interpreted and construed in favor of the Owner and against the Bidder. This bid is based upon the conditions within Article 1.2 of the General Conditions.

C. Non-Discrimination

The Bidder will not discriminate against any employee or applicant for employment because of race, creed, color or national origin in the performance of the Work.

D. Prevailing Wage

MISSOURI PREVAILING WAGE LAW (Sections 290.210 to 290.340, RSMo): The Contractor shall pay not less than the specified hourly rate of wages, as set out in the wage order attached to and made part of the specifications for work under this contract, to all workers performing work under the contract, in accordance with sections 290.210 to 290.340, RSMo. The Contractor shall forfeit a penalty to the Owner of one hundred dollars per day (or portion of a day) for each worker that is paid less than the specified rates for any work done under the contract by the Contractor or by any subcontractor, in accordance with section 290.250, RSMo.

DAVIS-BACON ACT: The requirements of the Davis-Bacon Act are not applicable to this project, which is funded solely by Coronavirus State and Local Fiscal Recover Funds (SLFRF) under the American Rescue Plan Act (ARPA).

E. Transient Employers

The Bidder will comply with the provisions of Sections 285.230-234, RSMo, regarding transient employers.

F. Federal Work Authorization Program

The Bidder has enrolled and is participating in, and will continue to participate in, a federal work authorization program in accordance with Sections 285.525 and 285.530, RSMo for the duration of any contract awarded because of this bid.

G. Illegal Immigration Reform and Immigrant Responsibility Act (IIRIRA)

1. If awarded contract for this project, the Bidder/Contractor shall only utilize personnel authorized to work in the United States in accordance with applicable federal, state and local laws. This includes, but is not limited to, the Illegal Immigration Reform and Immigrant Responsibility Act (IIRIRA) and INA Section 274A.
2. If found to be in violation of this requirement or any applicable laws, and if the State of Missouri has reasonable cause to believe that the Contractor has knowingly employed individuals who are not eligible to work in the United States, the state shall have the right to cancel the contract immediately without penalty or recourse and suspend or debar the contractor from doing business with the state.
3. The Contractor agrees to cooperate fully with any audit or investigation from federal, state or local law enforcement agencies.

H. Anti-Discrimination Against Israel Act

1. If the awarded Contractor meets the definition of a company as defined in section 34.600, RSMo, and has ten or more employees, the Contractor shall not engage in a boycott of goods or services from the State of Israel; from companies doing business in or with Israel or authorized by, licensed by, or organized under the laws of the State of Israel; or from persons or entities doing business in the State of Israel as defined in section 34.600, RSMo.
2. If, at any time during the life of the contract, Contractor meets the definition of a company as defined in section 34.600, RSMo, and the company’s employees increases to ten or more OR the contractor’s business status changes to become a company as defined in section 34.600, RSMo, and the company has ten or more employees, then the Contractor shall submit to the Division of Facilities Management, Design and Construction a completed Box C of the exhibit titled “Anti-Discrimination Against Israel Act Certification, and shall comply with the requirements of Box C.

I. The Personal Privacy Protection Act

1. If the Bidder provides any “personal information” as defined in §105.1500, RSMo concerning an entity exempt from federal income tax under Section 501(c) of the Internal Revenue Code of 1986, as amended, the Bidder understands and agrees that it is voluntarily choosing to seek a state contract and providing such information for that purpose. The state will treat such personal information in accord with §105.1500, RSMo.

7.0 CONTACT INFORMATION (mandatory for all bidders)

Sole Proprietorship/General Partnership LLC Limited Partnership Corporation Joint Venture

Business Name: _____

Address: _____

Telephone: _____ Fax Number: _____

Federal ID Number: _____ or Social Security Number: _____

Missouri Business Charter Number: _____ (or provide the proper certificate from the Secretary of State)

8.0 SIGNATURES

FOR SOLE PROPRIETORSHIPS/GENERAL PARTNERSHIPS ONLY

Sole Proprietor's Name (printed)

Name each general partner: _____

Today's Date: _____

I, _____, being the sole proprietor/general partner of (name of business) _____ (and if the name of said business is other than my legal name, having filed a Registration of Fictitious Name with the Missouri Secretary of State in order to allow me to use such name in connection with my business, as provided by Section 417.200, RSMo, et seq.), do hereby submit this bid and agree to be bound unto the State of Missouri as herein provided (if a general partnership, all partners must sign below).

Signature: _____

Signature: _____

Signature: _____

Signature: _____

FOR LIMITED LIABILITY COMPANIES ONLY

_____ today's date _____ State(s) of organization: _____
Manager's (or Managing Member's) Name (printed)

I, _____, being the Manager (or Managing Member) of (full legal name of limited liability company from Articles of Organization) _____, and being duly authorized to act as herein provided on behalf of said limited liability company, do hereby submit this bid on behalf of said limited liability company and agree that said limited liability company shall be bound unto the State of Missouri as herein provided.

Signature: _____

FOR LIMITED PARTNERSHIPS/LIMITED LIABILITY PARTNERSHIPS/LIMITED LIABILITY LIMITED PARTNERSHIPS ONLY

_____ today's date: _____ State(s) of organization: _____
General/Managing Partner's Name (printed)

I, _____, being the General Partner/Managing Partner of (full legal name of limited partnership/limited liability partnership/limited liability limited partnership from partnership agreement or Certificate of Limited Partnership) _____, and being duly authorized to act as herein provided on behalf of said limited partnership/limited liability partnership/limited liability limited partnership, do hereby submit this bid on behalf of said limited partnership/limited liability partnership/limited liability limited partnership and agree that

1.0 Description

- A. For changing specified quantities of work from those indicated by the contract drawings and specifications, upon written instructions of Owner, the following unit prices shall prevail. The unit prices include all labor, overhead and profit, materials, equipment, appliances, bailing, shoring, shoring removal, etc., to cover the finished work of the several kinds of work called for. Only a single unit price shall be given, and it shall apply for either MORE or LESS work than that shown on the drawings and called for in the specifications or included in the Base Bid. In the event of more or less units than so indicated or included during construction the total contract price shall be decreased as appropriate or increased by contract change in accordance with General Conditions Article 4.1.

2.0 Unit Prices

A. Unit Price No. 1 – Trench Rock Excavation:

- 1. Description: This includes chipping trench rock as defined in Section 312000 Earth Moving. This also includes hauling off all chipped rock to a location procured by the contractor. It also includes the import of soil or base rock materials to replace the exported rock.
- 2. Unit of Measurement: Cubic Yard
- 3. Base Bid Quantity: 50 Cubic Yards

\$ _____ per Cubic Yard

B. Unit Price No. 2 – Trench Rock Excavation:

- 1. Description: This includes removal and export (to an off-site location provided by bidder) unsuitable soil materials below the planned subgrade. For the purposes of this project, planned subgrade would be either the bottom of the 2 feet thick lagoon liner proposed, below the rip-rap liner proposed, or below gravel paved areas within the limits of the lagoon. Haul in suitable impermeable clay materials as outlined in the geotechnical report. Provide appropriate compaction and moisture conditioning as outlined in the geotechnical report and Section 312000 “Earth Moving”. The unit price includes removal and replacement.
- 2. Unit of Measurement: Cubic Yard
- 3. Base Bid Quantity: 100 Cubic Yards

\$ _____ per Cubic Yard

SECTION 004336 – PROPOSED SUBCONTRACTORS

Project Number: X2334-01

1.0 CONTRACTOR/SUBCONTRACTOR/MANUFACTURER/ SUPPLIER LIST

- A. For each category listed below, identify the subcontractor(s) who will perform the specified work and/or the manufacturer/supplier for the specified material or equipment, as applicable. If you plan to use your own employees to do any portion of the work, list yourself. If more than one firm will perform work in one category, you must identify both firms.
- B. After bid opening, no substitutions of the subcontractors, manufactures or suppliers listed below will be allowed except in accordance with Section 007200 – General Conditions, Article 3.1 and/or Article 3.7, as applicable.
- C. All manufacturers or suppliers required to be identified below must be an approved manufacturer or supplier as outlined in the bid specifications or in a written addenda in accordance with Section 4.0 of the Instructions to Bidders.
- D. If any category or work identified below is left vacant or if an unapproved manufacturer or supplier is listed, the bid shall be deemed non-responsive and shall be rejected.**
- E. The Bidder hereby certifies that the following will be used in the performance of the work:

DESCRIPTION OF WORK	SPECIFICATION DIVISION OR SECTION(S)	NAME OF FIRM FOR BASE BID WORK
PLUMBING	DIVISION 22	
ELECTRICAL	DIVISION 26	
EARTHWORK	DIVISION 31	

SECTION 004337 - MBE/WBE/SDVE COMPLIANCE EVALUATION FORM

Project Name: _____ Project No.: X2334-01

This form is to be completed by bidders and submitted to the State of Missouri, Division of Facilities Management, Design and Construction with the bid submittal. Submit one form per MBE/WBE/SDVE firm involved with the project. This includes any MBE/WBE/SDVE general contractor, joint venture, subcontractor or supplier, regardless of how many tier levels of sub-contracts.

A condition for remaining in competition for award is the satisfactory completion of this form for each minority/woman/service disabled veteran-owned firm that will perform a commercially useful function on the contract. The undersigned submits the following data with respect to the following firm's assurance to meet the Office of Administration's goal for MBE/WBE/SDVE participation.

1. Name of General Contractor: _____

2. MBE/WBE/SDVE Firm: _____

(Name)

(Address)

(City, State, Zip Code)

(Phone Number)

(Fax Number)

Type of Business: _____

Type of Firm: MBE WBE SDVE

Officer Name & Title: _____

3. Describe the **subcontract actual work** to be performed (List BASE BID work and any ALTERNATE work separately):

BASE BID: _____

ALTERNATE (S): (identify separately)

4. Indicate the **dollar (\$) amount** of contract to be subcontracted to the MBE/WBE/SDVE Firm:

BASE BID: \$ _____

ALTERNATE (S): (identify separately)

\$ _____
\$ _____

5. Is the proposed subcontractor listed in the Minority/Women Business Enterprise Directory maintained by the Office of Equal Opportunity (OEO) or the Division of Purchasing's SDVE directory? YES NO

Name of General Contractor Signee (Print): _____

Signature: _____

Title: _____

Date: _____

SECTION 004338 - MBE/WBE/SDVE ELIGIBILITY DETERMINATION FORM FOR JOINT VENTURES

Project Name: _____ Project No.: X2334-01

If bidder is a joint venture, this form shall be completed and submitted with the bid submittal to the Missouri State Division of Facilities Management, Design and Construction.

1. Joint Venture Firm: _____
(Name)

(Address) (City, State, Zip Code)

(Phone Number) (Fax Number)

2. In order to be counted toward project MBE/WBE/SDVE goals, the MBE/WBE/SDVE partner(s) must be currently certified by a State of Missouri public entity or have proof of SDVE eligibility. Identify the firms which comprise the joint venture and include a copy of the certification of each MBE/WBE/SDVE firm included in the joint venture.

(a) Describe the role of each MBE, WBE, or SDVE firm in the joint venture:

(b) Briefly describe the experience and business qualifications of each non-MBE/WBE/SDVE co-venturer:

3. What is the claimed percentage of MBE/WBE/SDVE ownership in the joint venture?

4. Ownership of joint venture. **Attach a copy of the joint venture agreement.** (The following need not be filled in if described in the joint venture agreement)

(a) Description of profit and loss sharing:

(b) Description of capital contributions, including equipment:

(c) Description of other applicable ownership interests:

6. Control of, and participation in, this contract. Identify by name, race, sex, and "firm" those individuals (and their titles) who are responsible for day-to-day management and policy decision making including, but not limited to, those with prime responsibility for:

- Financial Decisions Management Decisions Estimating Marketing Sales
- Hiring (of management) Firing (of management) Purchase of major items or supplies

Name	Race	Sex	Firm & Title	Responsibility	Management Decisions

NOTE: If after filing this information and before the completion of the joint venture's work on the contract covered by this regulation, there is any significant change in the information submitted, the joint venture must inform the Commissioner, either directly or if the joint venture is a subcontractor through the prime contractor.

AFFIDAVIT

"The undersigned swear that the foregoing statements are correct and include all material and information necessary to identify and explain the terms and operation of our joint venture and the intended participation by each joint venturer in the undertaking. Further, the undersigned covenant and agree to provide the Commissioner, Office of Administration, current, complete and accurate information regarding actual joint venture work and the payment therefore and any proposed changes in any of the joint venture arrangements and to permit the audit and examination of the books, records, and files of the joint venture, or those of each joint venturer relevant to the joint venture, by authorized representatives of the Commissioner of the Office of Administration. Any material misrepresentation will be grounds for terminating any contract which may be awarded and for initiating action under Federal or State laws concerning false statements."

Name of Firm: _____
Signature: _____
Name: _____
Title: _____
Date: _____

Name of Firm: _____
Signature: _____
Name: _____
Title: _____
Date: _____

Date: _____

State of: _____

County of: _____

On this _____ day of _____, 20____, before me appeared
(name) _____ to me personally known, who, being duly sworn, did execute the foregoing
affidavit, and did state that he or she was properly authorized by (name of firm) _____
to execute the affidavit and did so as his or her own free act and deed.

Notary Public: _____ (seal)

My commission expires: _____

Date: _____

State of: _____

County of: _____

On this _____ day of _____, 20____, before me appeared
(name) _____ to me personally known, who, being duly sworn, did execute the foregoing
affidavit, and did state that he or she was properly authorized by (name of firm) _____
to execute the affidavit and did so as his or her own free act and deed.

Notary Public: _____ (seal)

My commission expires: _____

SECTION 004339 - GOOD FAITH EFFORT (GFE) DETERMINATION - MBE

Bidder may reach goals for each category as outlined in Section 001116 - Invitation to Bid by participation, GFE or a combination of both.

**THIS PAGE IS FOR MBE
GFE ONLY**
Failure to submit for each diversity category on a separate page may result in rejection of the bid.

INSTRUCTIONS: In order to meet full MBE GFE goals refer to Section 002113-Instructions to Bidders **providing at least 3 certified companies with all columns completed for each company.** If the bidder has identified companies with actual participation in Section 004337 - MBE/WBE/SDVE Compliance Form do not list those companies below as they will only be scored for participation, not GFE. Any questions or clarifications should be directed to the Contract Specialist of record.

Name of Firm and Person Contacted: Verify that firm is currently certified with Office of Equal Opportunity (OEO)	Category of Work (e.g.: Electrician) or Type of Supplier (e.g.: Plumbing Supplier)	Date of Contact	Response from Subcontractor or Supplier

SECTION 004339 - GOOD FAITH EFFORT (GFE) DETERMINATION - WBE

Bidder may reach goals for each category as outlined in Section 001116 - Invitation to Bid by participation, GFE or a combination of both.

***THIS PAGE IS FOR WBE
GFE ONLY***
 Failure to submit for each diversity category on a separate page may result in rejection of the bid.

INSTRUCTIONS: In order to meet full WBE GFE goals refer to Section 002113-Instructions to Bidders providing at least 3 certified companies with all columns completed for each company. If the bidder has identified companies with actual participation in Section 004337 - MBE/WBE/SDVE Compliance Form do not list those companies below as they will only be scored for participation, not GFE. Any questions or clarifications should be directed to the Contract Specialist of record.

Name of Firm and Person Contacted: Verify that firm is currently certified with Office of Equal Opportunity (OEO)	Category of Work (e.g.: Electrician) or Type of Supplier (e.g.: Plumbing Supplier)	Date of Contact	Response from Subcontractor or Supplier

SECTION 004339 - GOOD FAITH EFFORT (GFE) DETERMINATION - SDVE

Bidder may reach goals for each category as outlined in Section 001116 - Invitation to Bid by participation, GFE or a combination of both.

***THIS PAGE IS FOR SDVE
GFE ONLY***
 Failure to submit for each diversity category on a separate page may result in rejection of the bid.

INSTRUCTIONS: In order to meet full SDVE goals refer to Section 002113-Instructions to Bidders providing at least 3 certified companies with all columns completed for each company. If the bidder has identified companies with actual participation in Section 004337 - MBE/WBE/SDVE Compliance Form do not list those companies below as they will only be scored for participation, not GFE. Any questions or clarifications should be directed to the Contract Specialist of record.

Name of Firm and Person Contacted: Verify that firm is currently certified with Office of Equal Opportunity (OEO)	Category of Work (e.g.: Electrician) or Type of Supplier (e.g.: Plumbing Supplier)	Date of Contact	Response from Subcontractor or Supplier

MISSOURI SERVICE-DISABLED VETERAN BUSINESS PREFERENCE FORM

Pursuant to section 34.074, RSMo, a service-disabled veteran business doing business as Missouri firm, corporation, or individual, or that maintains a Missouri office or place of business, shall receive a three-point bonus preference in the contract award process. The bonus preference will be calculated and applied by reducing the bid amount(s) of the eligible service-disabled veteran business by three percent of the apparent low responsive bidder's bid. This reduction is for evaluation purposes only, and will have no impact on the actual amount(s) of the bid or the amount(s) of any contract awarded. In order to be eligible for the service-disabled veteran business preference, the bidder must complete and submit this form with its bid.

Definitions (as provided by Section 34.074, RSMo):

Service-Disabled Veteran: any individual who is disabled as certified by the appropriate federal agency responsible for the administration of veterans' affairs.

Service-Disabled Veteran Business: a business concern:

- a. not less than fifty-one (51) percent of which is owned by one or more service-disabled veterans or, in the case of any publicly owned business, not less than fifty-one (51) percent of the stock of which is owned by one or more service-disabled veterans; and
- b. the management and daily business operations of which are controlled by one or more service-disabled veterans.

In order to receive the preference described above, the bidder must either be registered with the Office of Administration, Division of Purchasing or the Department of Veterans Affairs (VA) or provide a copy of the bidder's discharge papers (DD Form 214, Certificate of Release from Active Duty). For ease of evaluation, it is preferred that proof of registration with Division of Purchasing or the VA be provided with this form. Discharge papers are not required if registered with Division of Purchasing or the VA.

By signing below, I certify that I meet the definitions of a service-disabled veteran and a service-disabled veteran business, as defined in Section 34.074, RSMo, and that I am either doing business as a Missouri firm, corporation, or individual; or maintain Missouri offices or places of business at the location(s) listed below.

Service-Disabled Veteran's Name
(Please Print)

Service-Disabled Veteran Business Name

Service-Disabled Veteran's Signature

Missouri Address of Service-Disabled Veteran Business

SECTION 004541 - AFFIDAVIT OF WORK AUTHORIZATION

STATE OF _____)
)
COUNTY OF _____)

On this _____ day of _____, 20_____, before me appeared _____ (Contractor representative), personally known to me or proved to me on the basis of satisfactory evidence to be a person whose name is subscribed to this affidavit, who being by me duly sworn, deposed as follows:

My name is _____ (Contractor representative), and I am of sound mind, capable of making this affidavit, and personally certify the facts herein stated, as required by Section 285.530, RSMo, to enter into any contract agreement with the state to perform any job, task, employment, labor, personal services, or any other activity for which compensation is provided, expected, or due, including but not limited to all activities conducted by business entities:

I am the _____ of _____, and I am duly authorized, directed, and/or empowered to act officially and properly on behalf of this business entity.
title business name

I hereby affirm and warrant that the aforementioned business entity is enrolled in a federal work authorization program operated by the United States Department of Homeland Security to verify information of newly hired employees, and the aforementioned business entity shall participate in said program with respect to all employees working in connection with the contracted services related to _____ with the Office of Administration, Division of Facilities Management, Design and Construction (FMDC). I have attached documentation to this affidavit to evidence enrollment/participation by the aforementioned business entity in a federal work authorization program, as required by Section 285.530, RSMo.

In addition, I hereby affirm and warrant that the aforementioned business entity does not and shall not knowingly employ, in connection to work under the within state contract agreement with FMDC, an alien who does not have the legal right or authorization under federal law to work in the United States, as defined in 8 U.S.C. § 1324a(h)(3).

I am aware and recognize that, unless certain contract and affidavit conditions are satisfied pursuant to Section 285.530, RSMo, the aforementioned business entity may be held liable under Section 285.525 through 285.559, RSMo, for subcontractors that knowingly employ or continue to employ any unauthorized alien to work within the state of Missouri.

I acknowledge that I am signing this affidavit as a free act and deed of the aforementioned business entity and not under duress.

Affiant Signature

Subscribed and sworn to before me this _____ day of _____, 20____.

Notary Public

My commission expires:

SECTION 004545

ANTI-DISCRIMINATION AGAINST ISRAEL ACT CERTIFICATION

Statutory Requirement: Section 34.600, RSMo, precludes entering into a contract with a company to acquire products and/or services “unless the contract includes a written certification that the company is not currently engaged in and shall not, for the duration of the contract, engage in a boycott of goods or services from the State of Israel; companies doing business in or with Israel or authorized by, licensed by, or organized under the laws of the State of Israel; or persons or entities doing business in the State of Israel.”

Exceptions: The statute provides two exceptions for this certification: 1) “contracts with a total potential value of less than one hundred thousand dollars” or 2) “contractors with fewer than ten employees.” Therefore the following certification is required prior to any contract award.

Section 34.600, RSMo, defines the following terms:

Company - any for-profit or not-for-profit organization, association, corporation, partnership, joint venture, limited partnership, limited liability partnership, limited liability company, or other entity or business association, including all wholly-owned subsidiaries, majority-owned subsidiaries, parent companies, or affiliates of those entities or business associations.

Boycott Israel and Boycott of the State of Israel - engaging in refusals to deal, terminating business activities, or other actions to discriminate against, inflict economic harm, or otherwise limit commercial relations specifically with the State of Israel; companies doing business in or with Israel or authorized by, licensed by, or organized under the laws of the State of Israel; or persons or entities doing business in the State of Israel, that are all intended to support a boycott of the State of Israel. A company’s statement that it is participating in boycotts of the State of Israel; companies doing business in or with Israel or authorized by, licensed by, or organized under the laws of the State of Israel; or persons or entities doing business in the State of Israel, or that it has taken the boycott action at the request, in compliance with, or in furtherance of calls for a boycott of the State of Israel; companies doing business in or with Israel or authorized by, licensed by, or organized under the laws of the State of Israel; or persons or entities doing business in the State of Israel shall be considered to be conclusive evidence that a company is participating in a boycott of the State of Israel; companies doing business in or with Israel or authorized by, licensed by, or organized under the laws of the State of Israel; or persons or entities doing business in the State of Israel; provided, however that a company that has made no such statement may still be considered to be participating in a boycott of the State of Israel; companies doing business in or with Israel or authorized by, licensed by, or organized under the laws of the State of Israel; or persons or entities doing business in the State of Israel if other factors warrant such a conclusion.

Certification: The vendor must therefore certify their current status by completing either Box A, Box B, or Box C on the next page of this Exhibit. (As used herein, “vendor” refers to any contractor or consultant entering into a contract with the Division of Facilities Management, Design and Construction. “Contract” is used generically to include both a contract for construction or agreement for design services.)

- BOX A:** To be completed by any vendor that does not meet the definition of “company” above, hereinafter referred to as “Non-Company.”
- BOX B:** To be completed by a vendor that meets the definition of “Company” but has less than ten employees.
- BOX C:** To be completed by a vendor that meets the definition of “Company” and has ten or more employees.

BOX A – NON-COMPANY ENTITY

I certify that _____ (Entity Name) currently **DOES NOT MEET** the definition of a company as defined in section 34.600, RSMo, but that if awarded a contract and the entity's business status changes during the life of the contract to become a "company" as defined in section 34.600, RSMo, and the entity has ten or more employees, then, prior to the delivery of any services and/or supplies as a company, the entity agrees to comply with, complete, and return Box C to the Division of Facilities Management, Design and Construction at that time.

Authorized Representative's Name (Please Print) _____	Authorized Representative's Signature _____
Entity Name	Date

BOX B – COMPANY ENTITY WITH LESS THAN TEN EMPLOYEES

I certify that _____ (Company Name) **MEETS** the definition of a company as defined in section 34.600, RSMo, and currently has less than ten employees but that if awarded a contract and if the company increases the number of employees to ten or more during the life of the contract, then said company shall comply with, complete, and return Box C to the Division of Facilities Management, Design and Construction at that time.

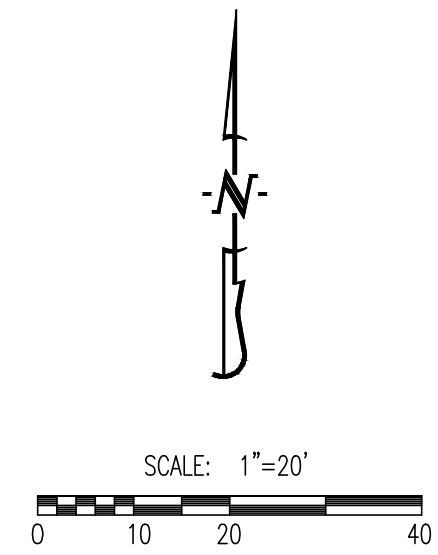
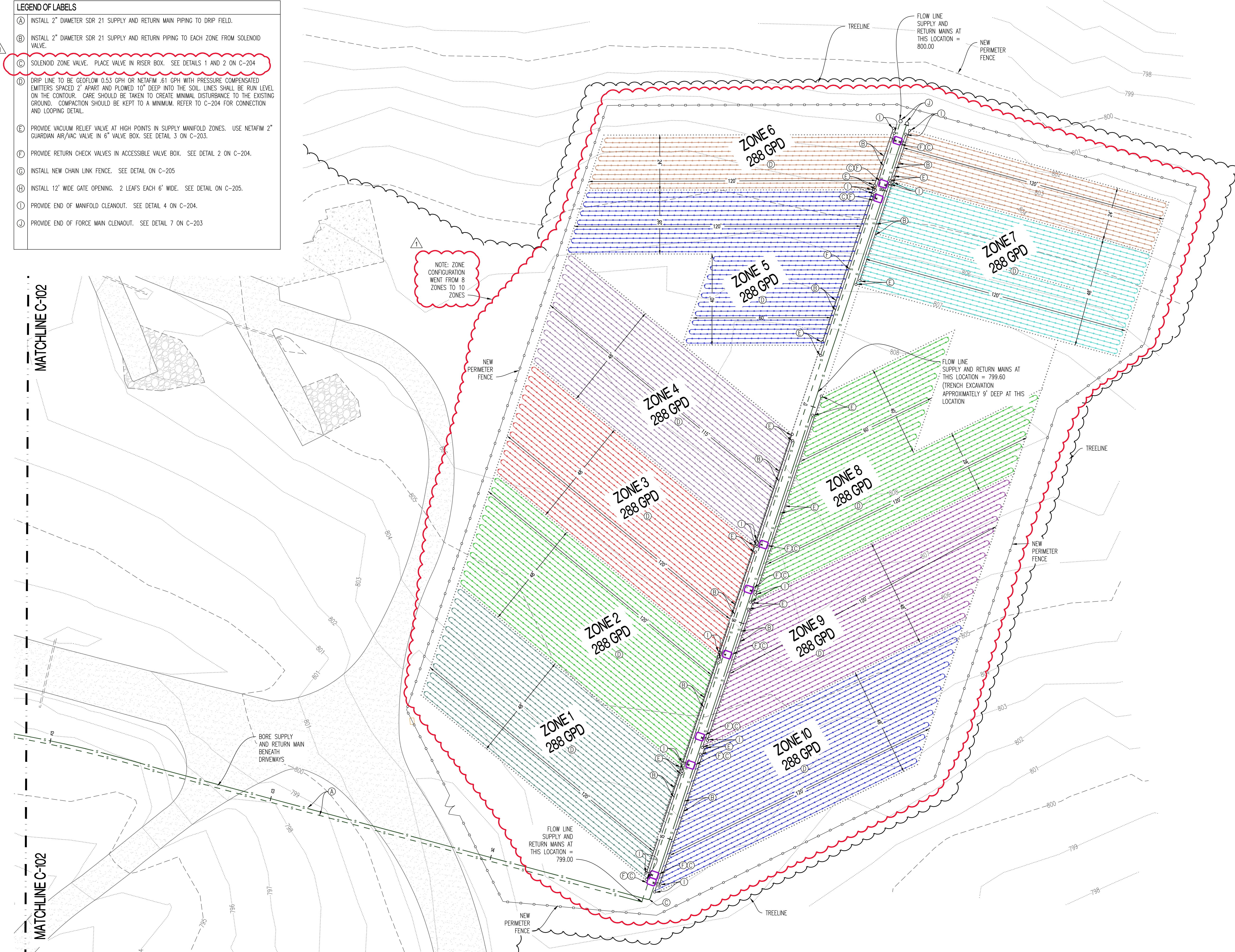
Authorized Representative's Name (Please Print) _____	Authorized Representative's Signature _____
Company Name	Date

BOX C – COMPANY ENTITY WITH TEN OR MORE EMPLOYEES

I certify that _____ (Company Name) **MEETS** the definition of a company as defined in section 34.600, RSMo, has ten or more employees, and is not currently engaged in a boycott of goods or services from the State of Israel; companies doing business in or with Israel or authorized by, licensed by, or organized under the laws of the State of Israel; or persons or entities doing business in the State of Israel as defined in section 34.600, RSMo. I further certify that if the company is awarded a contract for the services and/or supplies requested herein said company shall not engage in a boycott of goods or services from the State of Israel; companies doing business in or with Israel or authorized by, licensed by, or organized under the laws of the State of Israel; or persons or entities doing business in the State of Israel as defined in section 34.600, RSMo, for the duration of the contract.

Authorized Representative's Name (Please Print) _____	Authorized Representative's Signature _____
Company Name	Date

- LEGEND OF LABELS**
- (A) INSTALL 2" DIAMETER SDR 21 SUPPLY AND RETURN MAIN PIPING TO DRIP FIELD.
 - (B) INSTALL 2" DIAMETER SDR 21 SUPPLY AND RETURN PIPING TO EACH ZONE FROM SOLENOID VALVE.
 - (C) SOLENOID ZONE VALVE. PLACE VALVE IN RISER BOX. SEE DETAILS 1 AND 2 ON C-204
 - (D) DRIP LINE TO BE GEOPLOW 0.53 GPH OR NETAFIM .61 GPH WITH PRESSURE COMPENSATED EMITTERS SPACED 2' APART AND PLOWED 10" DEEP INTO THE SOIL. LINES SHALL BE RUN LEVEL ON THE CONTOUR. CARE SHOULD BE TAKEN TO CREATE MINIMAL DISTURBANCE TO THE EXISTING GROUND. COMPACTION SHOULD BE KEPT TO A MINIMUM. REFER TO C-204 FOR CONNECTION AND LOOPING DETAIL.
 - (E) PROVIDE VACUUM RELIEF VALVE AT HIGH POINTS IN SUPPLY MANIFOLD ZONES. USE NETAFIM 2" GUARDIAN AIR/VAC VALVE IN 6" VALVE BOX. SEE DETAIL 3 ON C-203.
 - (F) PROVIDE RETURN CHECK VALVES IN ACCESSIBLE VALVE BOX. SEE DETAIL 2 ON C-204.
 - (G) INSTALL NEW CHAIN LINK FENCE. SEE DETAIL ON C-205
 - (H) INSTALL 12" WIDE GATE OPENING. 2 LEAFS EACH 6' WIDE. SEE DETAIL ON C-205.
 - (I) PROVIDE END OF MANIFOLD CLEANOUT. SEE DETAIL 4 ON C-204.
 - (J) PROVIDE END OF FORCE MAIN CLEANOUT. SEE DETAIL 7 ON C-203



STATE OF MISSOURI
MICHAEL L. PARSON,
GOVERNOR



JESSE RAY STEPHENS
MO LICENSE #200000668

CROCKETT
ENGINEERING CONSULTANTS
1000 W. Nifong Blvd., Bldg. 1
Columbia, Missouri 65203
(314) 447-0292
www.crockettengineering.com
Crockett Engineering Consultants, LLC
Missouri Certificate of Authority #200015101

OFFICE OF ADMINISTRATION
DIVISION OF FACILITIES
MANAGEMENT,
DESIGN AND CONSTRUCTION

DEPARTMENT OF
NATURAL RESOURCES
MISSOURI STATE PARKS

SEWER RENOVATIONS
TRACK LAGOON

FINGER LAKES STATE PARK
1505 PEABODY ROAD
COLUMBIA, MO 65202

PROJECT # X2334-01
SITE # 5108
ASSET # 7815108005

REVISION: ADD. #2
DATE: 11-4-2024
REVISION: _____
DATE: _____
REVISION: _____
DATE: _____
ISSUE DATE: 10/02/2024

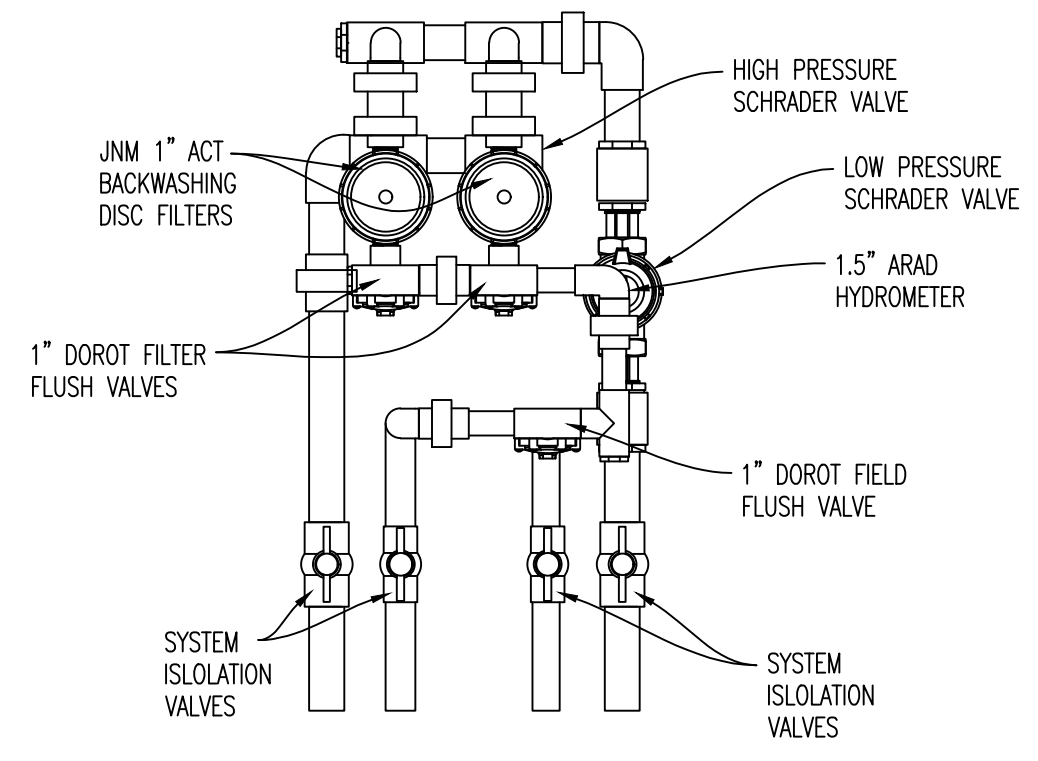
CAD DWG FILE: C-SIT-C103
DRAWN BY: JRS
CHECKED BY: ATG
DESIGNED BY: JRS

SHEET TITLE:

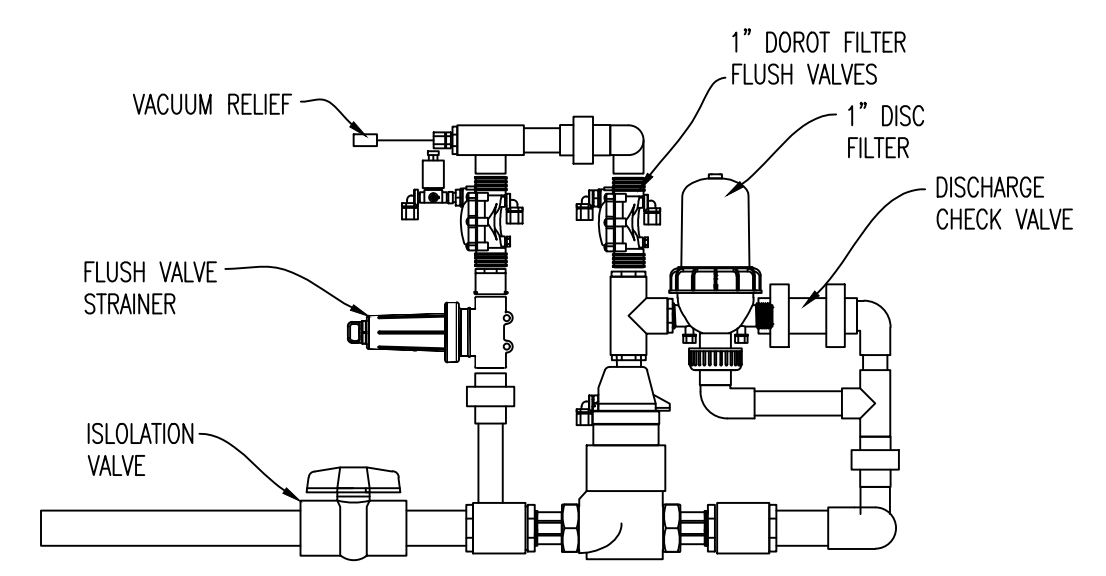
DRIP IRRIGATION
SITE PLAN

SHEET NUMBER:

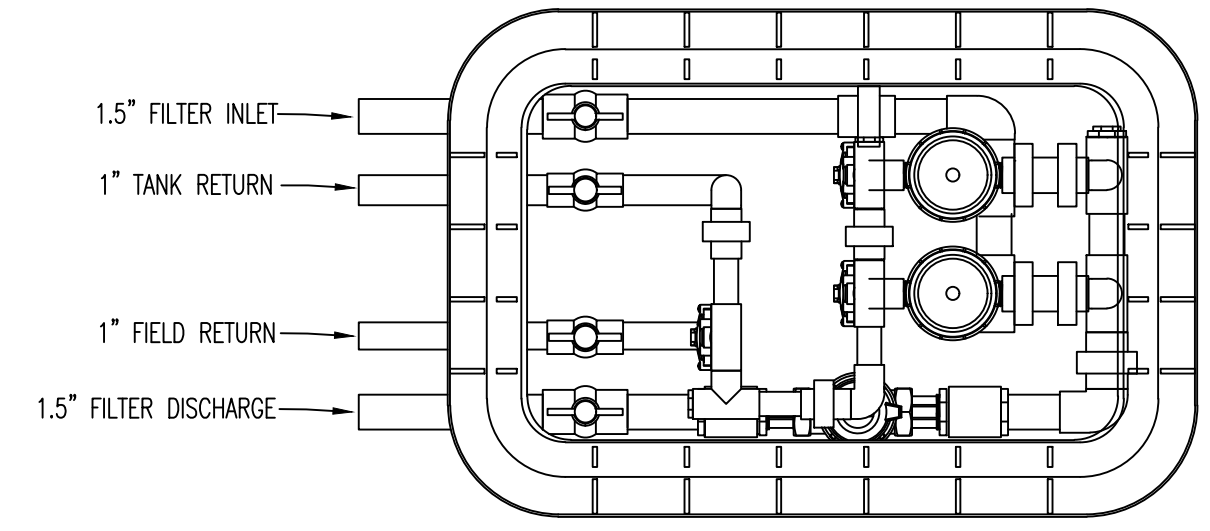
C-103



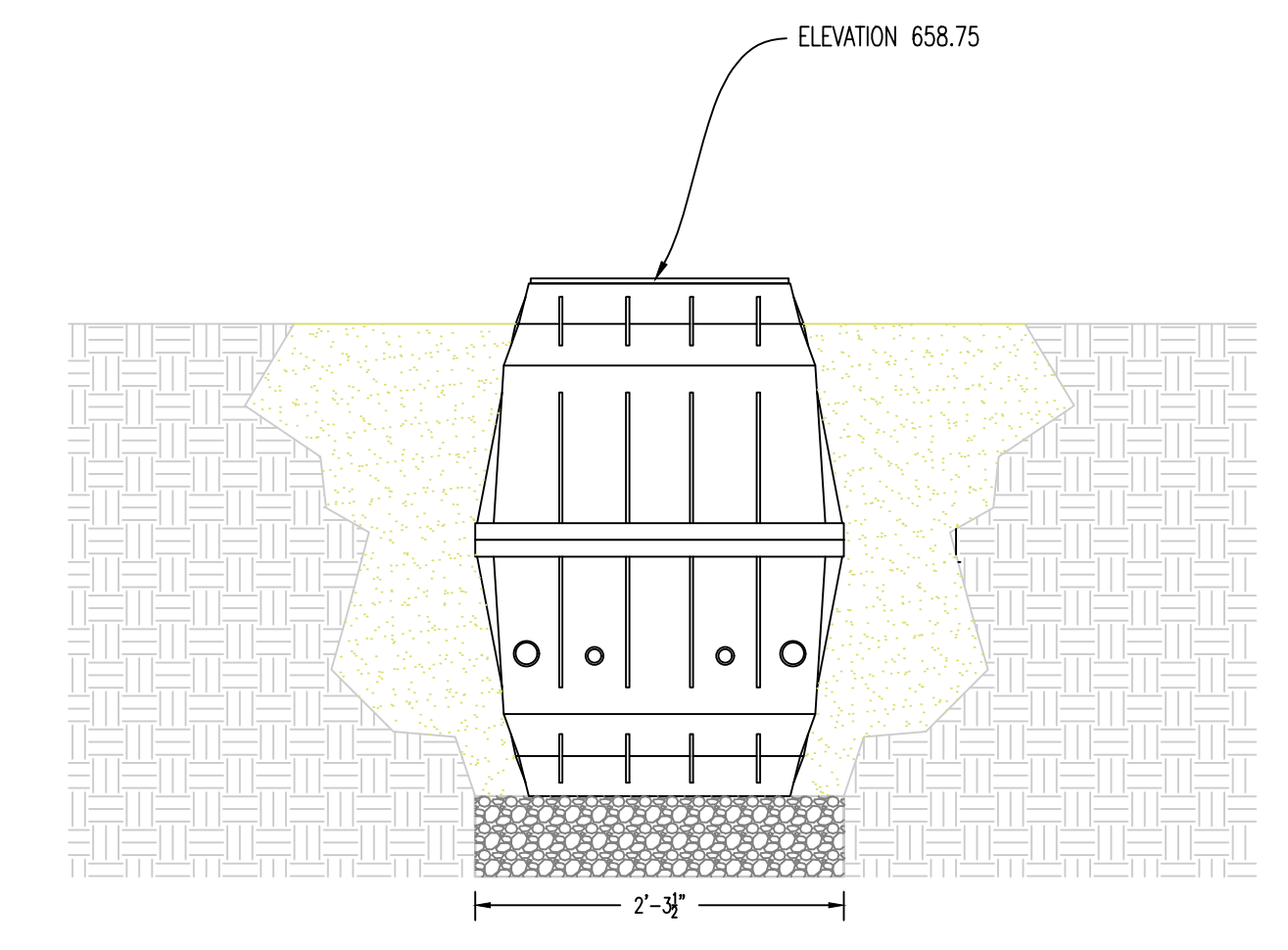
01 DRIP-TECH C200 - PLAN VIEW
SCALE: NONE



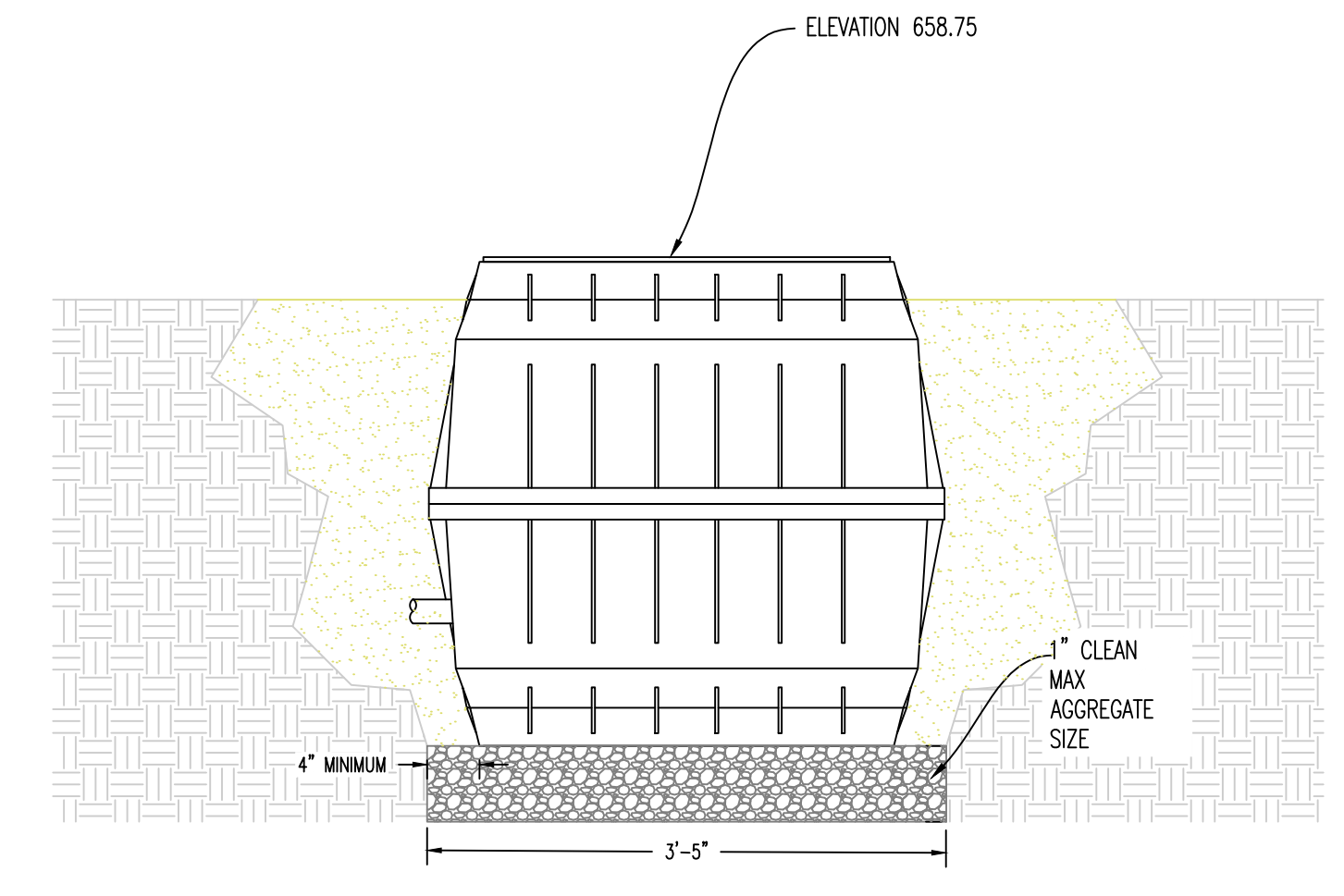
02 DRIP-TECH C200 - PROFILE VIEW
SCALE: NONE



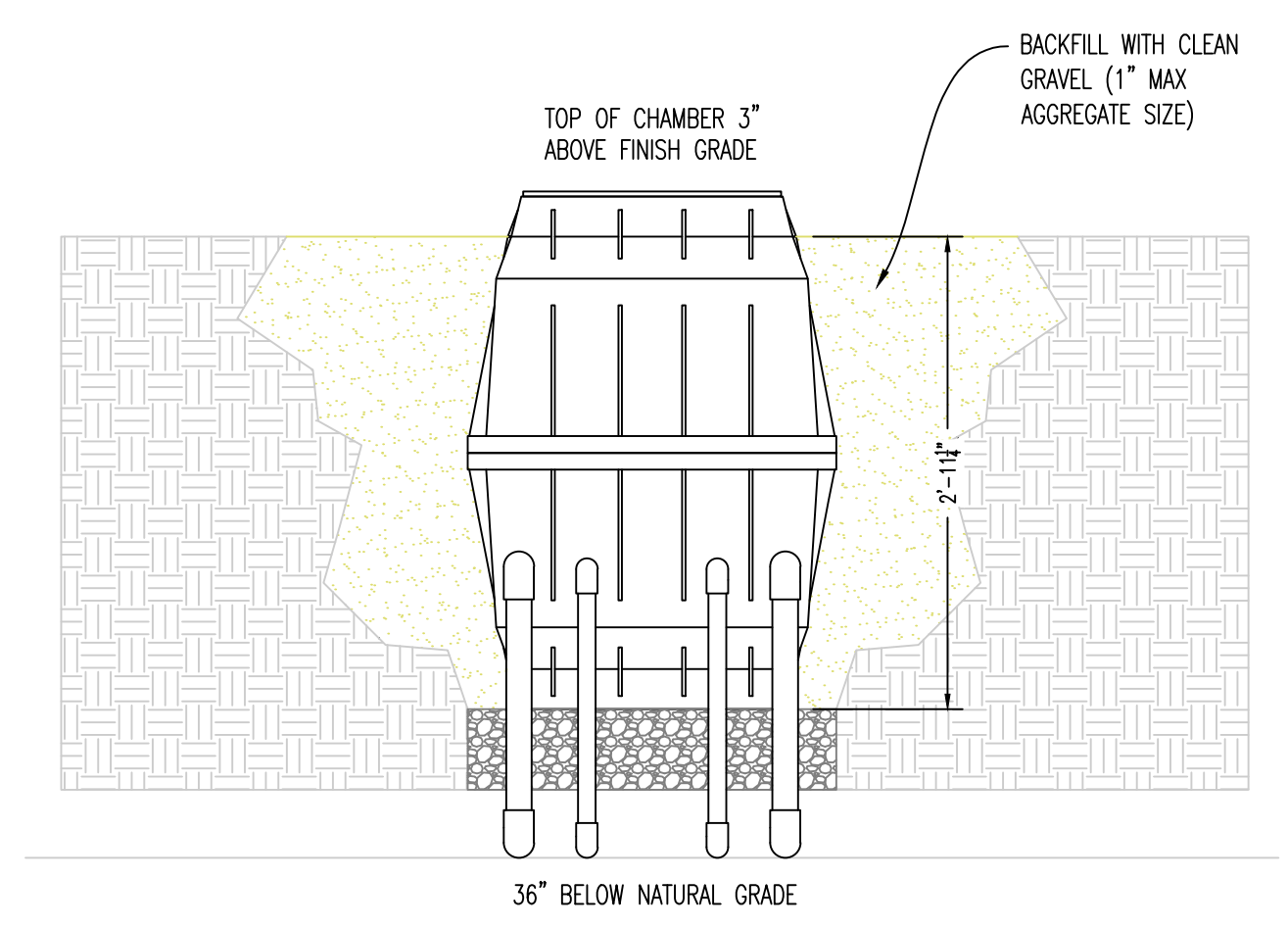
03 DRIP-TECH C200 - ENCLOSURE PLAN VIEW
SCALE: NONE



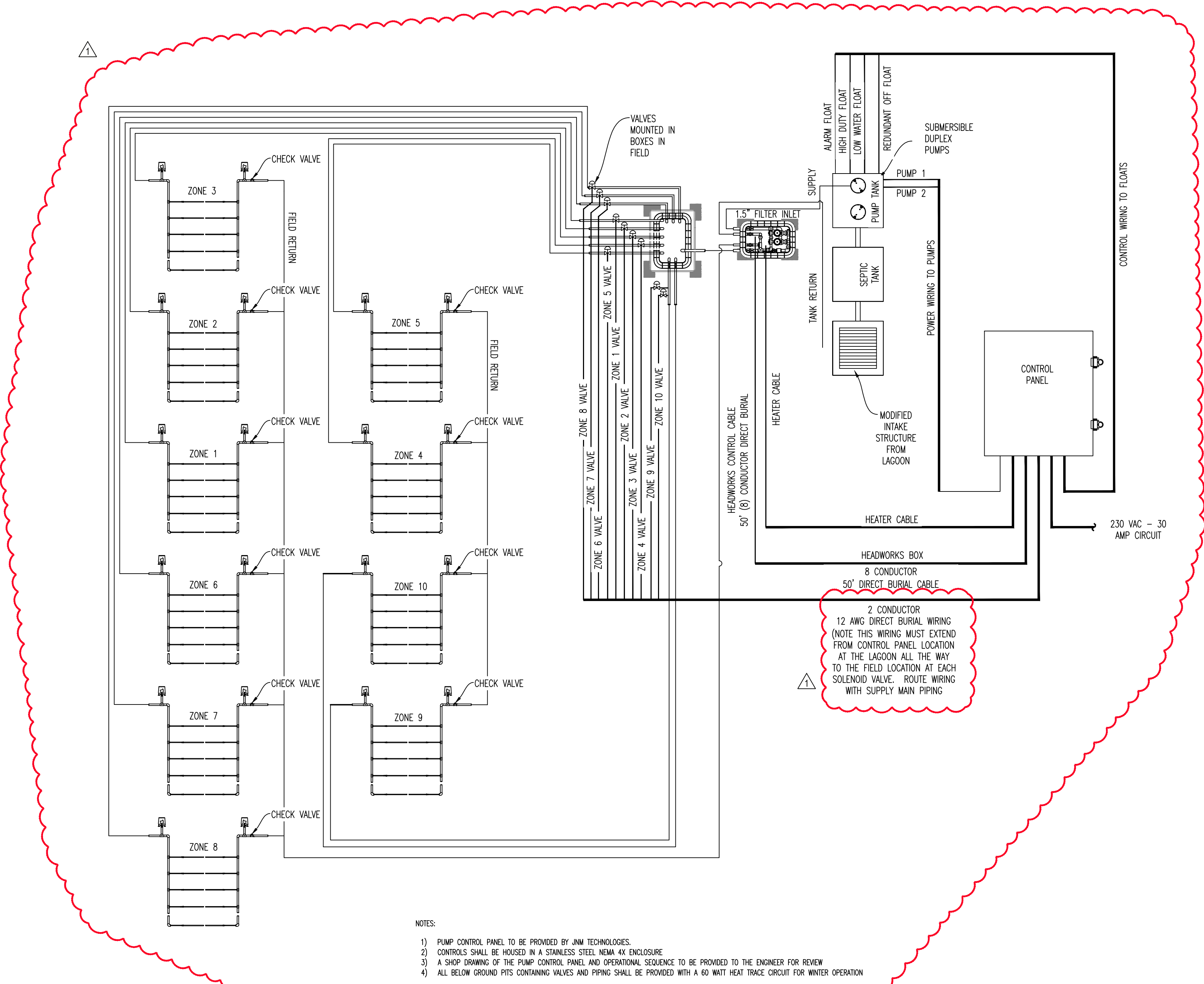
04 DRIP-TECH C200 - ELEVATION #1
SCALE: NONE



05 DRIP-TECH C200 - ELEVATION #2
SCALE: NONE



06 DRIP-TECH C200 - ELEVATION #3
SCALE: NONE



- NOTES:
- 1) PUMP CONTROL PANEL TO BE PROVIDED BY JNM TECHNOLOGIES.
 - 2) CONTROLS SHALL BE HOUSED IN A STAINLESS STEEL NEMA 4X ENCLOSURE
 - 3) A SHOP DRAWING OF THE PUMP CONTROL PANEL AND OPERATIONAL SEQUENCE TO BE PROVIDED TO THE ENGINEER FOR REVIEW
 - 4) ALL BELOW GROUND PITS CONTAINING VALVES AND PIPING SHALL BE PROVIDED WITH A 60 WATT HEAT TRACE CIRCUIT FOR WINTER OPERATION

07 DRIP-TECH C200 - ZONE SCHEMATIC
SCALE: NONE



CROCKETT
ENGINEERING CONSULTANTS
1000 W. Nifong Blvd., Bldg. 1
Columbia, Missouri 65203
(313) 447-0292
www.crockettengineering.com
Crockett Engineering Consultants, LLC
Missouri Certificate of Authority #200015101

OFFICE OF ADMINISTRATION
DIVISION OF FACILITIES
MANAGEMENT,
DESIGN AND CONSTRUCTION

DEPARTMENT OF
NATURAL RESOURCES
MISSOURI STATE PARKS

SEWER RENOVATIONS
TRACK LAGOON

FINGER LAKES STATE PARK
1505 PEABODY ROAD
COLUMBIA, MO 65202

PROJECT # X2334-01
SITE # 5108
ASSET # 7815108005

REVISION: ADD.#2
DATE: 11-4-2024
REVISION: _____
DATE: _____
REVISION: _____
DATE: _____
ISSUE DATE: 10/02/2024

CAD DWG FILE: C-SIT-C201
DRAWN BY: JRS
CHECKED BY: ATG
DESIGNED BY: JRS

SHEET TITLE:

FILTRATION
EQUIPMENT
DETAILS

SHEET NUMBER:

C-201



JESSE RAY STEPHENS
MO LICENSE - 200000968

CROCKETT
ENGINEERING CONSULTANTS
1000 W. Nifong Blvd., Bldg. 1
Columbia, Missouri 65203
(573) 447-0292
www.crockettengineering.com
Crockett Engineering Consultants, LLC
Missouri Certificate of Authority
#200015101

OFFICE OF ADMINISTRATION
DIVISION OF FACILITIES
MANAGEMENT,
DESIGN AND CONSTRUCTION

DEPARTMENT OF
NATURAL RESOURCES
MISSOURI STATE PARKS

SEWER RENOVATIONS
TRACK LAAGOON

FINGER LAKES STATE PARK
1505 PEABODY ROAD
COLUMBIA, MO 65202

PROJECT # X2334-01
SITE # 5108
ASSET # 7815108005

REVISION: ADD.#2
DATE: 11-4-2024
REVISION: _____
DATE: _____
REVISION: _____
DATE: _____
ISSUE DATE: 10/02/2024

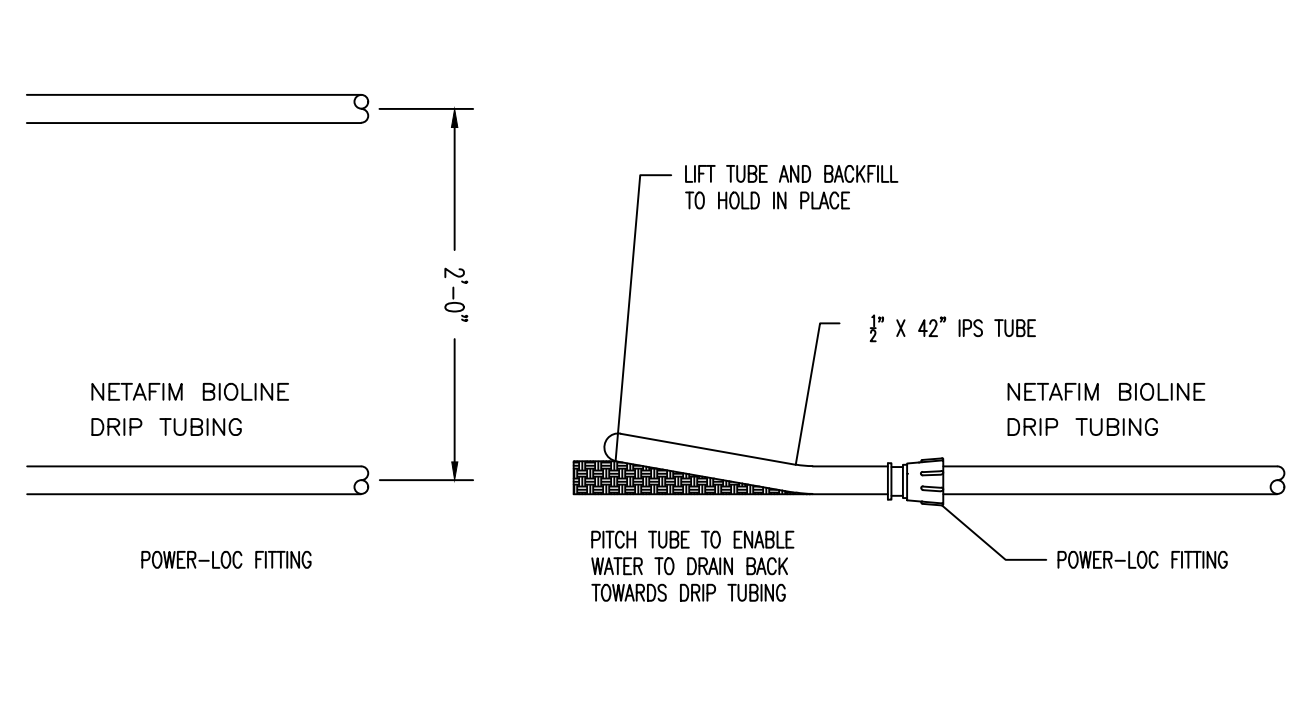
CAD DWG FILE: C-SIT-C203
DRAWN BY: JRS
CHECKED BY: ATG
DESIGNED BY: JRS

SHEET TITLE:

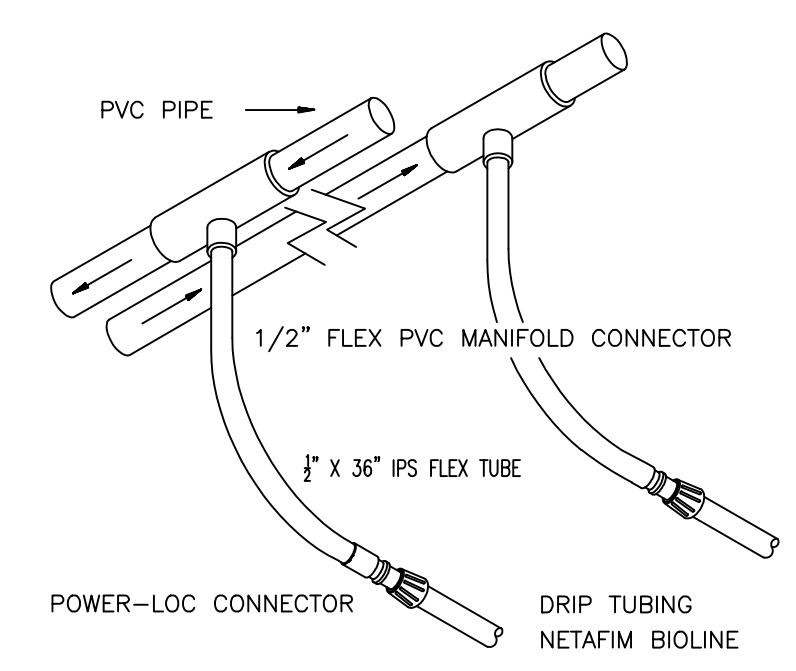
DRIP IRRIGATION
DETAILS (1 OF 2)

SHEET NUMBER:

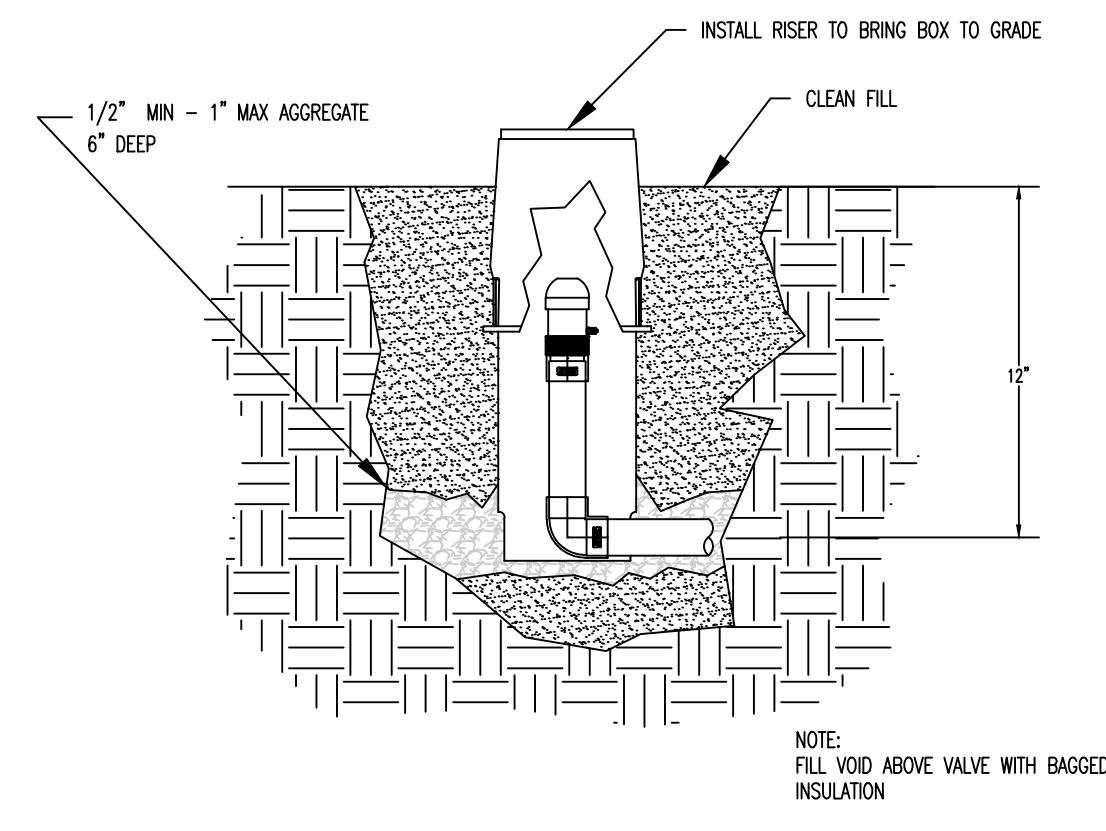
C-203



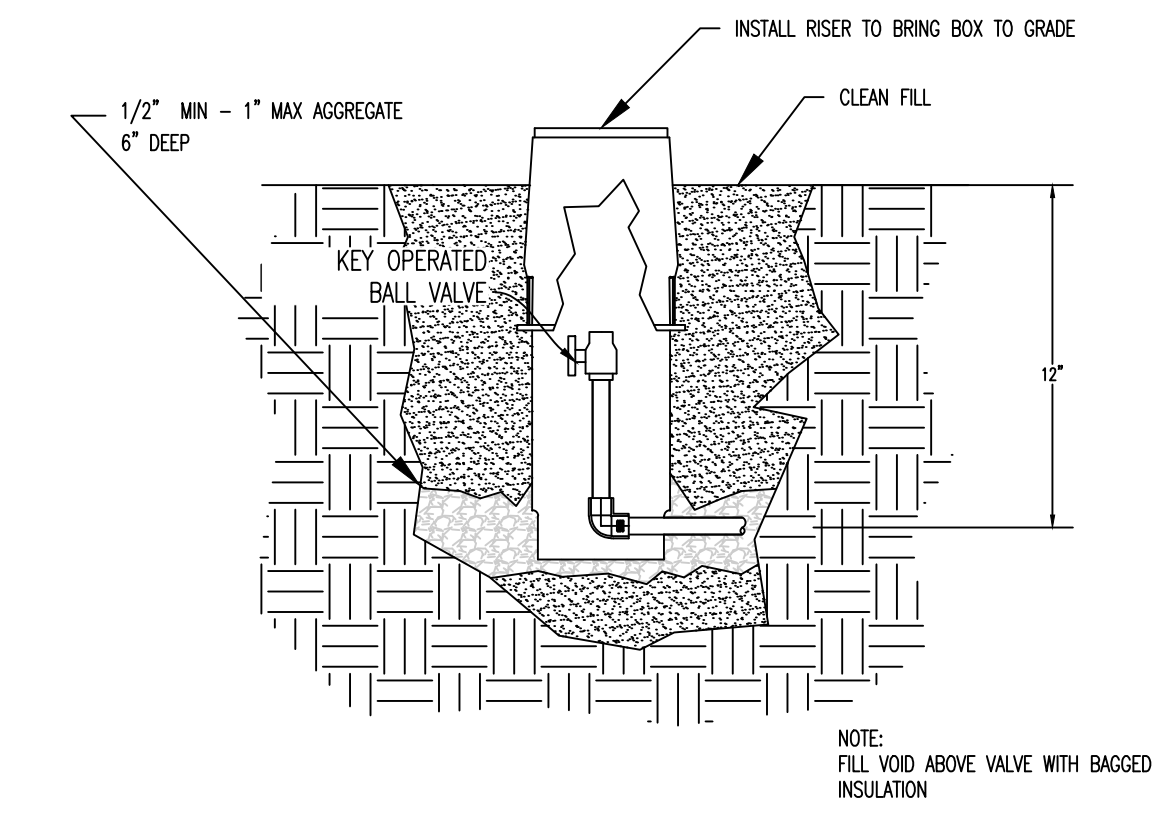
01 TYPICAL 2 FT LOOP
INSTALLATION DETAIL
SCALE: NONE



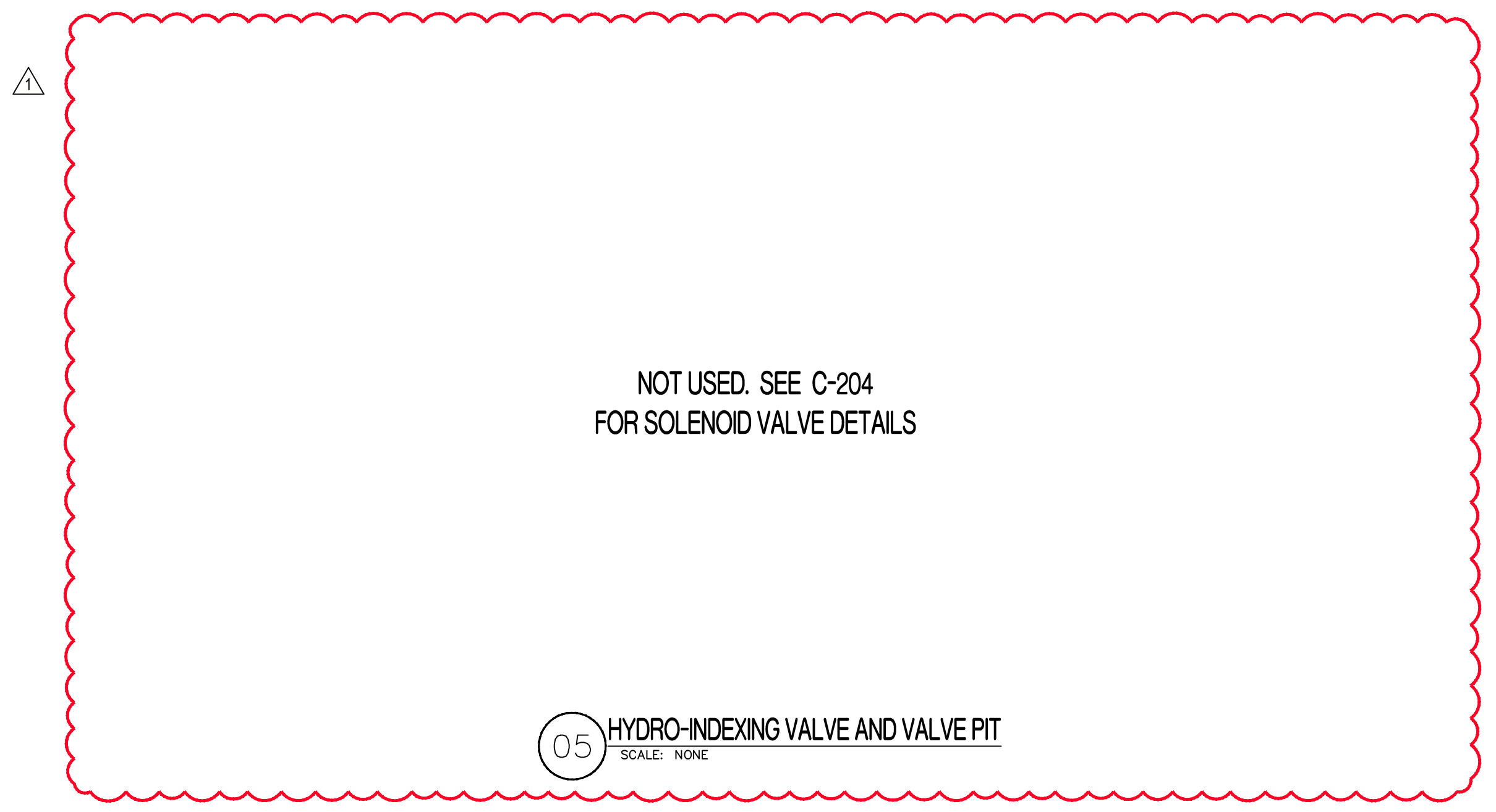
02 MANIFOLD CONNECTION
LOOPED FIELD
SCALE: NONE



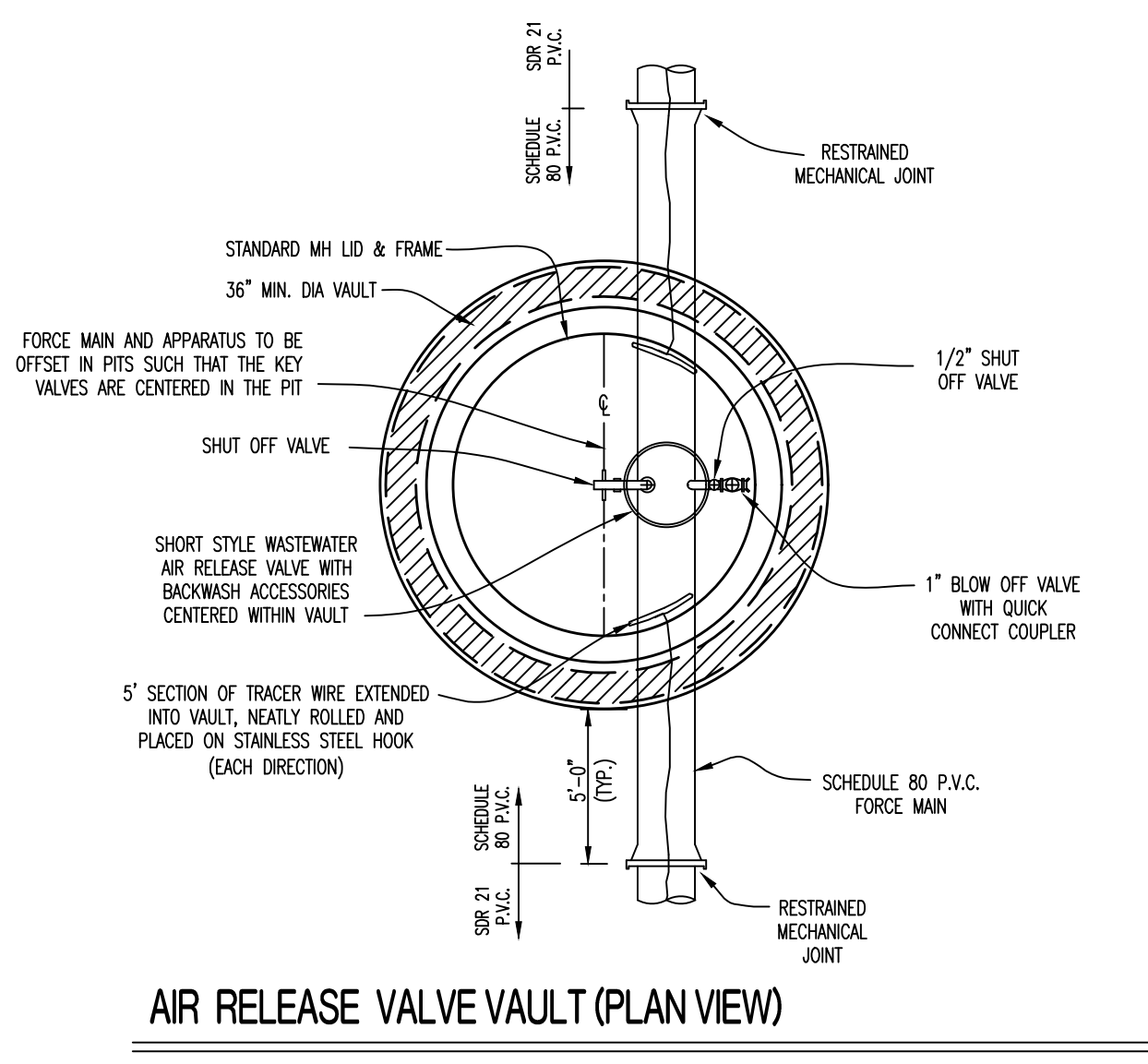
03 2' ARI GUARDIAN AV DETAIL
SCALE: NONE



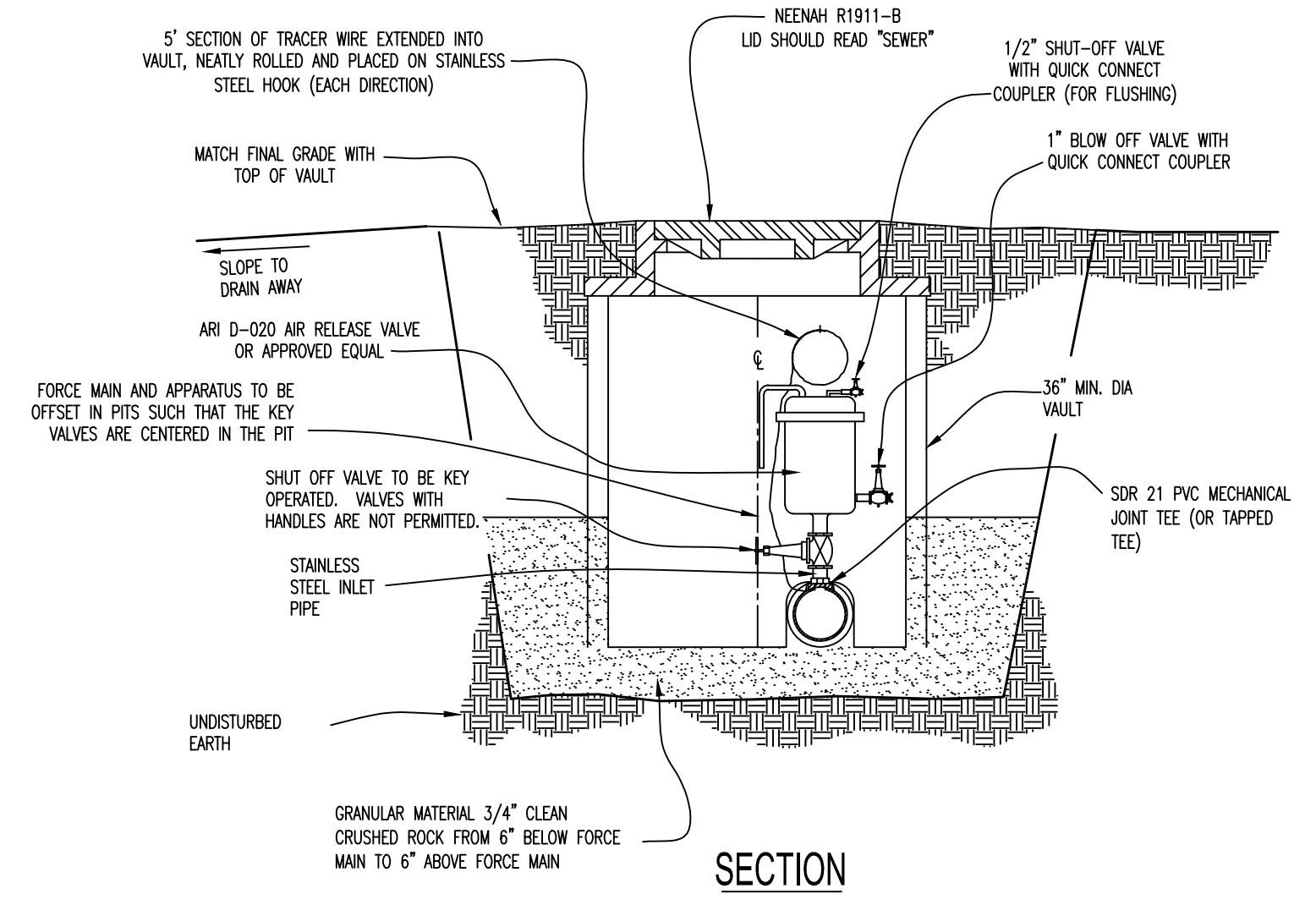
04 CLEAN OUT DETAIL
SCALE: NONE



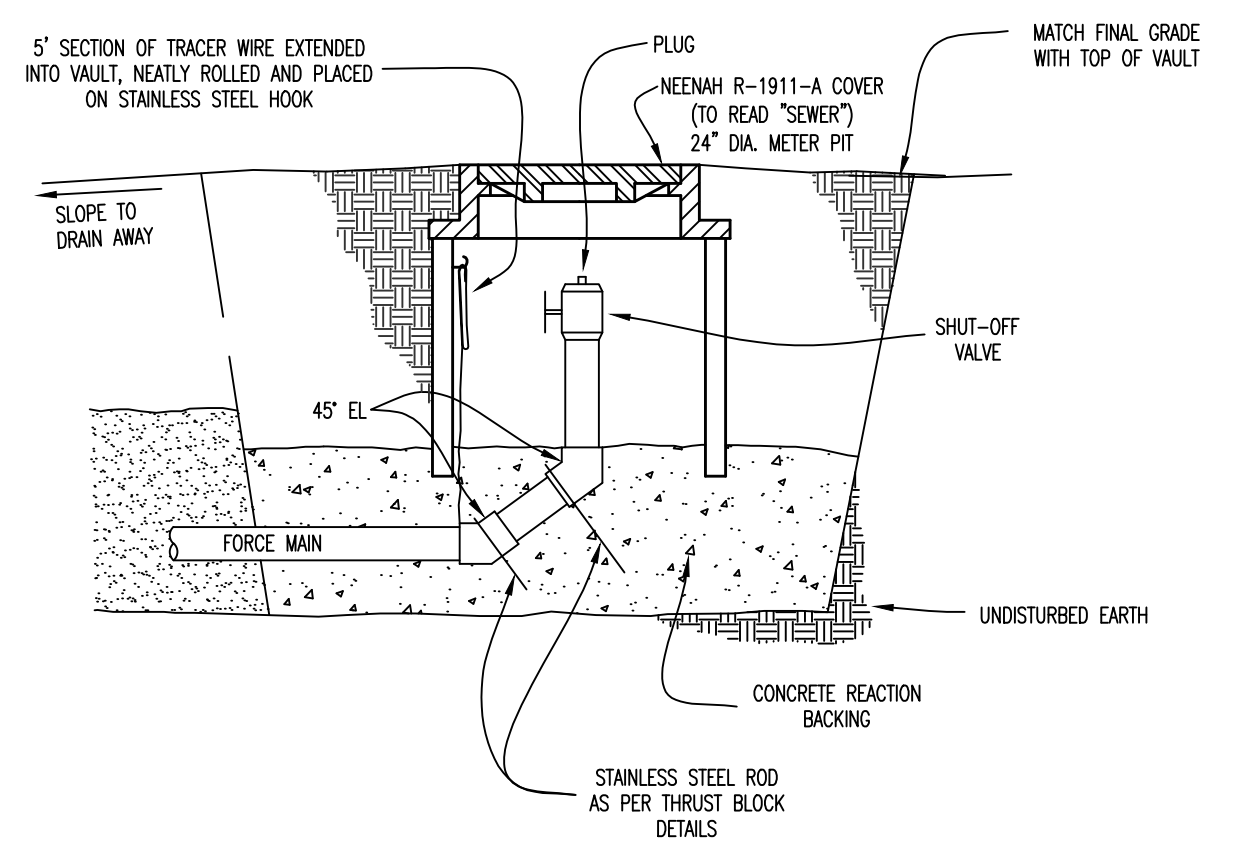
05 HYDRO-INDEXING VALVE AND VALVE PIT
SCALE: NONE



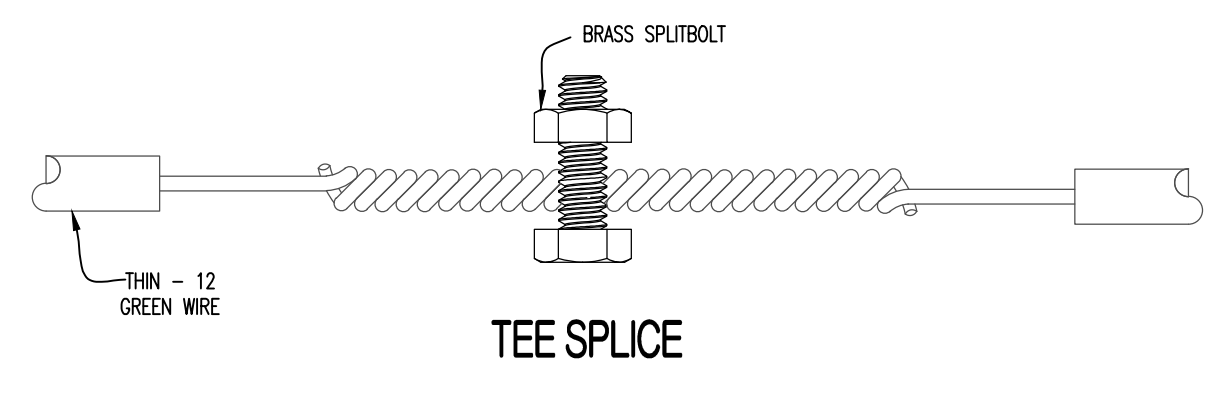
06 FORCE MAIN
AIR RELEASE DETAIL
SCALE: NONE



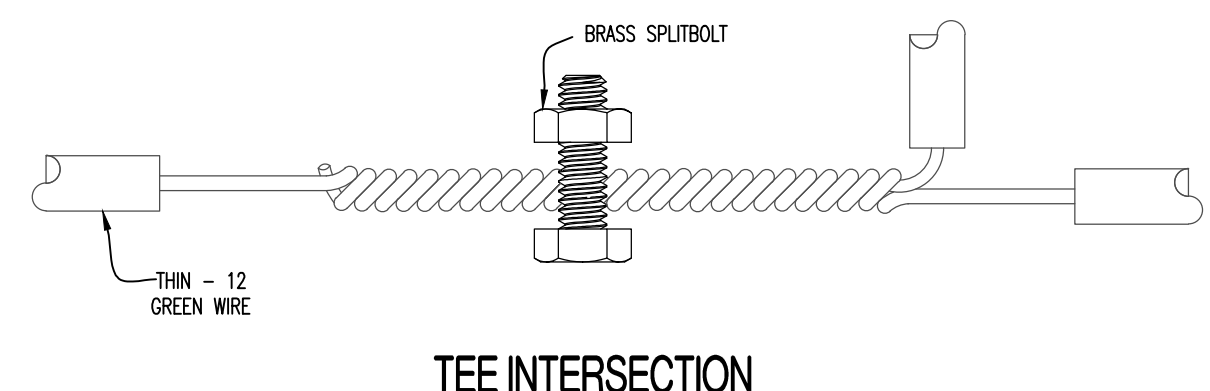
07 END OF FORCE MAIN
CLEANOUT DETAIL
SCALE: NONE



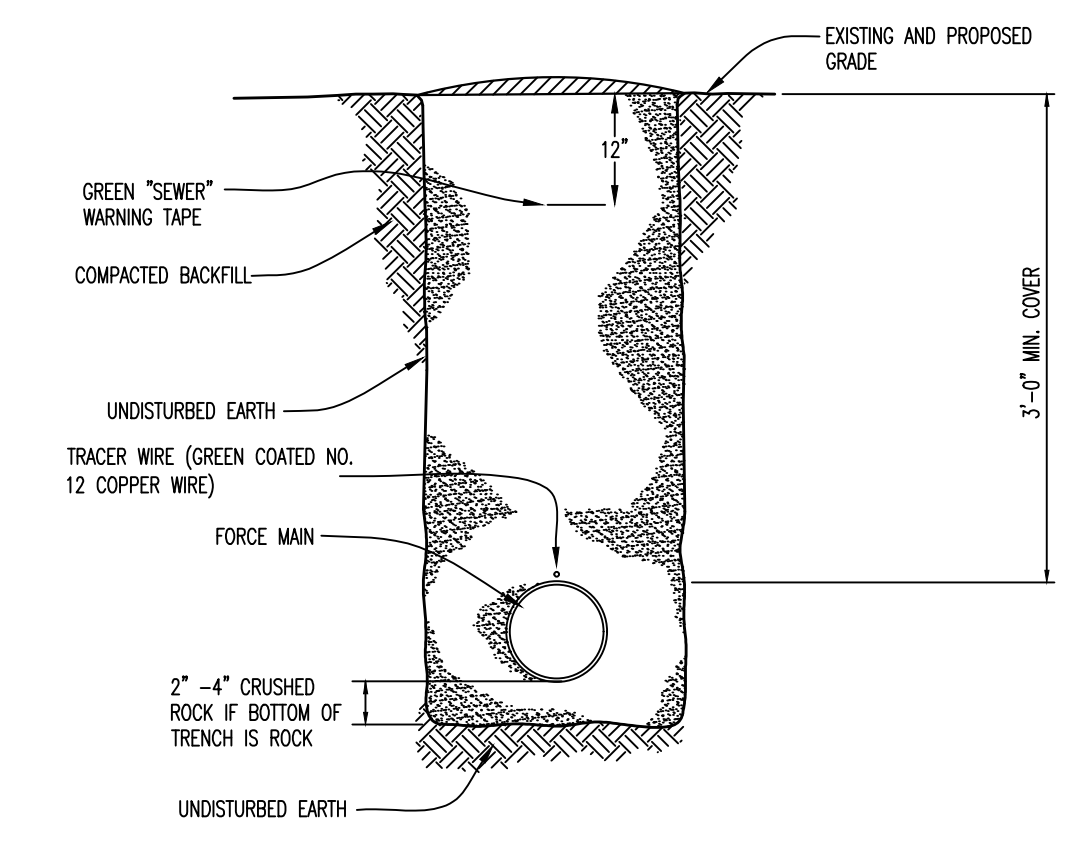
08 TRACER WIRE
SPlicing DETAIL
SCALE: NONE



TEE SPLICE

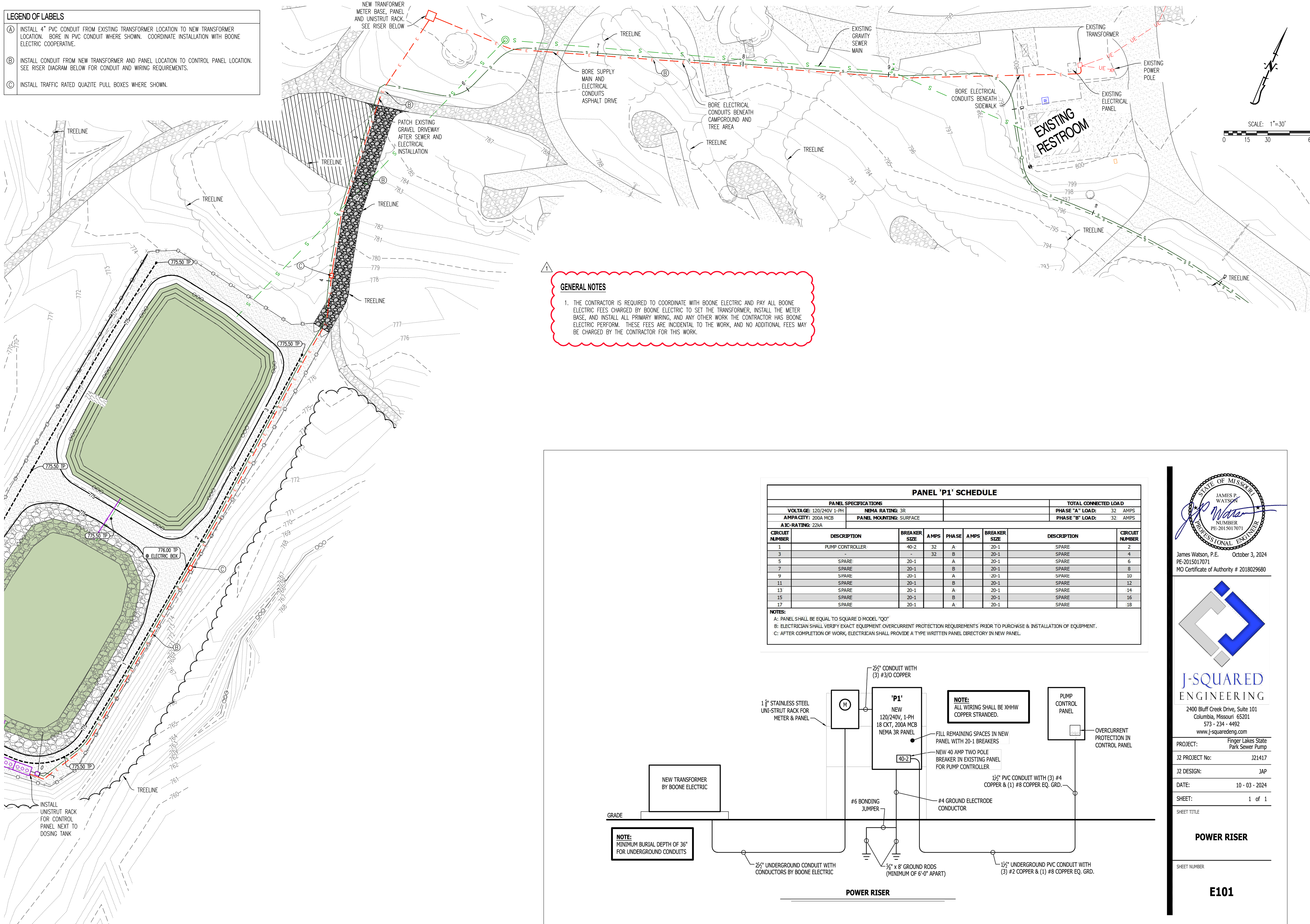


TEE INTERSECTION



09 DISTRIBUTION AND
RETURN MAINS TRENCH DETAIL
SCALE: NONE

- LEGEND OF LABELS**
- (A) INSTALL 4" PVC CONDUIT FROM EXISTING TRANSFORMER LOCATION TO NEW TRANSFORMER LOCATION. BORE IN PVC CONDUIT WHERE SHOWN. COORDINATE INSTALLATION WITH BOONE ELECTRIC COOPERATIVE.
 - (B) INSTALL CONDUIT FROM NEW TRANSFORMER AND PANEL LOCATION TO CONTROL PANEL LOCATION. SEE RISER DIAGRAM BELOW FOR CONDUIT AND WIRING REQUIREMENTS.
 - (C) INSTALL TRAFFIC RATED QUARTZITE PULL BOXES WHERE SHOWN.

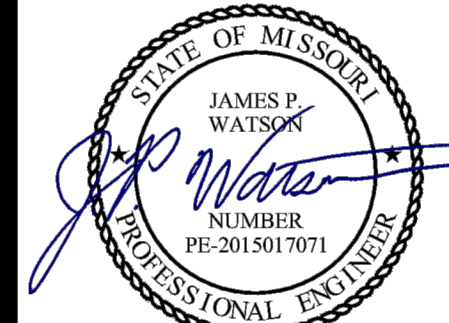
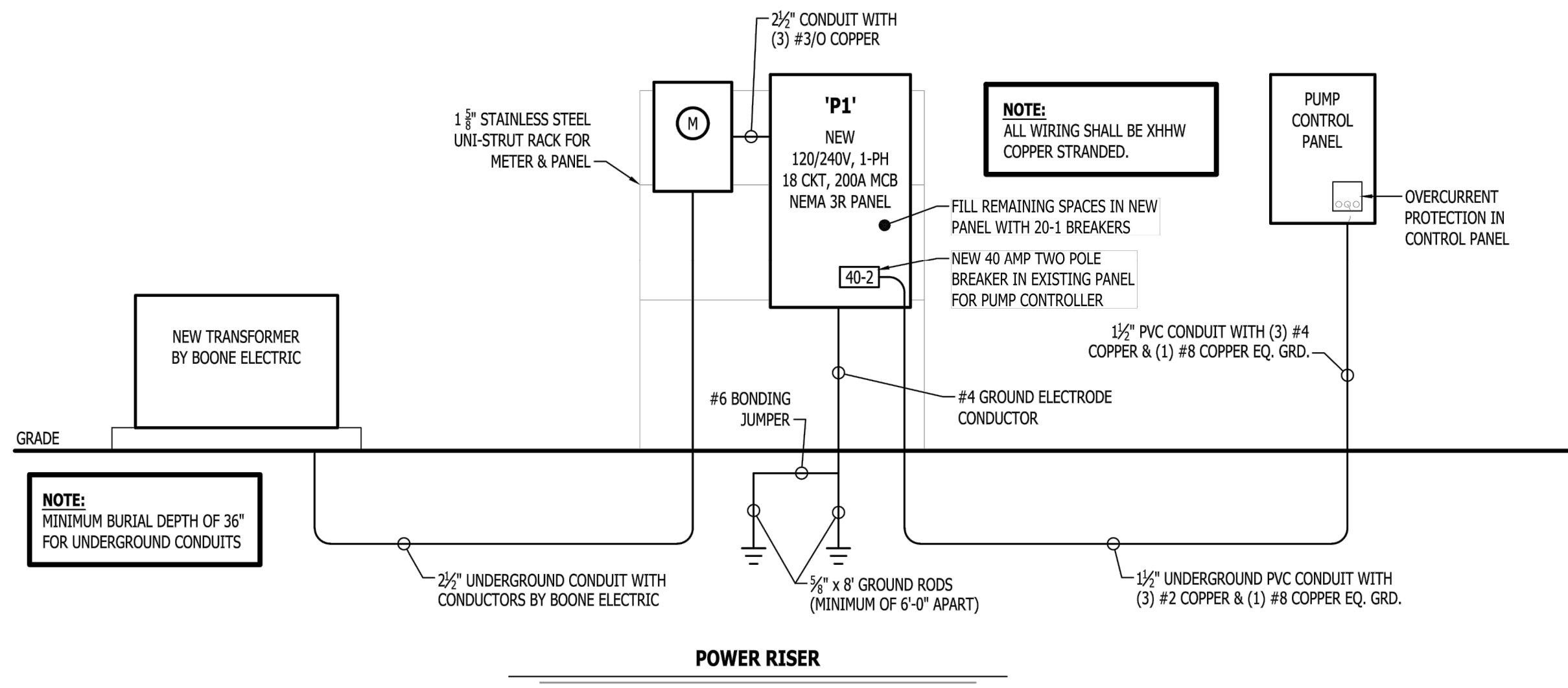


GENERAL NOTES

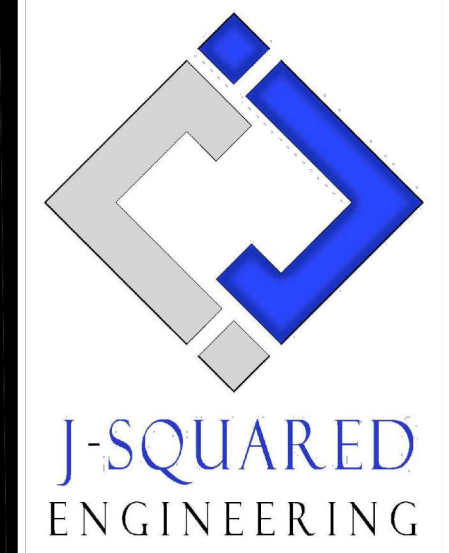
1. THE CONTRACTOR IS REQUIRED TO COORDINATE WITH BOONE ELECTRIC AND PAY ALL BOONE ELECTRIC FEES CHARGED BY BOONE ELECTRIC TO SET THE TRANSFORMER, INSTALL THE METER BASE, AND INSTALL ALL PRIMARY WIRING, AND ANY OTHER WORK THE CONTRACTOR HAS BOONE ELECTRIC PERFORM. THESE FEES ARE INCIDENTAL TO THE WORK, AND NO ADDITIONAL FEES MAY BE CHARGED BY THE CONTRACTOR FOR THIS WORK.

PANEL 'P1' SCHEDULE							
PANEL SPECIFICATIONS						TOTAL CONNECTED LOAD	
VOLTAGE: 120/240V 1-PH		NEMA RATING: 3R				PHASE 'A' LOAD: 32 AMPS	
AMPACITY: 200A MCB		PANEL MOUNTING: SURFACE				PHASE 'B' LOAD: 32 AMPS	
AIC-RATING: 22KA							
CIRCUIT NUMBER	DESCRIPTION	BREAKER SIZE	AMPS	PHASE	BREAKER SIZE	DESCRIPTION	CIRCUIT NUMBER
1	PUMP CONTROLLER	40-2	32	A	20-1	SPARE	2
3				B	20-1	SPARE	4
5	SPARE	20-1		A	20-1	SPARE	6
7	SPARE	20-1		B	20-1	SPARE	8
9	SPARE	20-1		A	20-1	SPARE	10
11	SPARE	20-1		B	20-1	SPARE	12
13	SPARE	20-1		A	20-1	SPARE	14
15	SPARE	20-1		B	20-1	SPARE	16
17	SPARE	20-1		A	20-1	SPARE	18

NOTES:
 A: PANEL SHALL BE EQUAL TO SQUARE D MODEL "QO"
 B: ELECTRICIAN SHALL VERIFY EXACT EQUIPMENT OVERCURRENT PROTECTION REQUIREMENTS PRIOR TO PURCHASE & INSTALLATION OF EQUIPMENT.
 C: AFTER COMPLETION OF WORK, ELECTRICIAN SHALL PROVIDE A TYPE WRITTEN PANEL DIRECTORY IN NEW PANEL.



James Watson, P.E. October 3, 2024
 PE-2015017071
 MO Certificate of Authority # 2018029680



2400 Bluff Creek Drive, Suite 101
 Columbia, Missouri 65201
 573 - 234 - 4492
 www.j-squaredeng.com
 PROJECT: Finger Lakes State Park Sewer Pump
 J2 PROJECT No: J21417
 J2 DESIGN: JAP
 DATE: 10 - 03 - 2024
 SHEET: 1 of 1
 SHEET TITLE

POWER RISER

E101

SHEET NUMBER

STATE OF MISSOURI
 MICHAEL L. PARSON,
 GOVERNOR



JESSE RAY STEPHENS
 MO LICENSE: 2010003899

CROCKETT
 ENGINEERING CONSULTANTS
 1000 W. Nifong Blvd., Bldg. 1
 Columbia, Missouri 65203
 (573) 447-0292
 www.crockettengineering.com
 Crockett Engineering Consultants, LLC
 Missouri Certificate of Authority #200015101

OFFICE OF ADMINISTRATION
 DIVISION OF FACILITIES
 MANAGEMENT,
 DESIGN AND CONSTRUCTION

DEPARTMENT OF
 NATURAL RESOURCES
 MISSOURI STATE PARKS

SEWER RENOVATIONS
 TRACK LAAGOON

FINGER LAKES STATE PARK
 1505 PEABODY ROAD
 COLUMBIA, MO 65202

PROJECT # X2334-01
 SITE # 5108
 ASSET # 7815108005

REVISION: ADD.#2
 DATE: 11-4-2024
 REVISION:
 DATE:
 REVISION:
 DATE:
 ISSUE DATE: 10/02/2024

CAD DWG FILE: C-SIT-E-101
 DRAWN BY: JRS
 CHECKED BY: ATG
 DESIGNED BY: JRS

SHEET TITLE:
 ELECTRICAL PLAN

SHEET NUMBER:

E-101