

PROJECT MANUAL

REPLACE ROOF SYSTEM

Kansas City DOLIR Office Building

Kansas City, Missouri

Designed By: Office of Administration, Division of
Facilities Management,
Design & Construction
301 W High St, Room 730
Jefferson City, MO 65102

Date Issued: August 16, 2023

Project No.: O2325-01

STATE *of* MISSOURI

OFFICE *of* ADMINISTRATION
Facilities Management, Design & Construction

TABLE OF CONTENTS

SECTION	TITLE	NUMBER OF PAGES
DIVISION 00 – PROCUREMENT AND CONTRACTING INFORMATION		
000000 INTRODUCTORY INFORMATION		
000101	Project Manual Cover	1
000110	Table of Contents	1
000115	List of Drawings	1
001116	INVITATION FOR BID (IFB) plus Missouri Buys instructions and special notice	3
002113	INSTRUCTIONS TO BIDDERS (Includes MBE/WBE/SDVE Information)	8
003144	MBE/WBE/SDVE Directory	1
The following documents may be found on MissouriBUYS at https://missouribuys.mo.gov/		
004000 PROCUREMENT FORMS & SUPPLEMENTS		
004113	Bid Form	*
004322	Unit Prices Form	*
004336	Proposed Subcontractors Form	*
004337	MBE/WBE/SDVE Compliance Evaluation Form	*
004338	MBE/WBE/SDVE Eligibility Determination Form for Joint Ventures	*
004339	MBE/WBE/SDVE Good Faith Effort (GFE) Determination Forms	*
004340	SDVE Business Form	*
004541	Affidavit of Work Authorization	*
004545	Anti-Discrimination Against Israel Act Certification Form	*
005000 CONTRACTING FORMS AND SUPPLEMENTS		
005213	Construction Contract	3
005414	Affidavit for Affirmative Action	1
006000 PROJECT FORMS		
006113	Performance and Payment Bond	2
006325	Product Substitution Request	2
006519.16	Final Receipt of Payment and Release Form	1
006519.18	MBE/WBE/SDVE Progress Report	2
006519.21	Affidavit of Compliance with Prevailing Wage Law	1
007000 CONDITIONS OF THE CONTRACT		
007213	General Conditions	20
007300	Supplementary Conditions	1
007346	Wage Rate	4
DIVISION 1 - GENERAL REQUIREMENTS		
011000	Summary of Work	1
012100	Allowances	2
012200	Unit Prices	1
012600	Contract Modification Procedures	2
013100	Coordination	3
013115	Project Management Communications	4
013200	Schedule – Bar Chart	4
013300	Submittals	4
013513.10	Site Security and Health Requirements (OA)	5
015000	Construction Facilities and Temporary Controls	3
017100	Cleaning	2
DIVISION 2 – EXISTING CONDITIONS		
024119	Selective Demolition	3
DIVISION 7 – THERMAL AND MOISTURE PROTECTION		
075423	Thermoplastic Polyolefin (TPO) Roofing	10
079200	Joint Sealants	4
APPENDIX A - Asbestos Test Results		21

SECTION 000115 – LIST OF DRAWINGS

PART 1 - GENERAL

1.1 RELATED DOCUMENTS

- A. Drawings and general provisions of the Contract including General and Supplementary Conditions, Bid Form, and other Division 1 Specification Sections apply to this Section.

1.2 SUMMARY

- A. This Section provides a comprehensive list of the drawings that comprise the Bid Documents for this project.

PART 2 - PRODUCTS (NOT APPLICABLE)

PART 3 - EXECUTION

3.1 LIST OF DRAWINGS

- A. The following list of drawings is a part of the Bid Documents:

	<u>TITLE</u>	<u>SHEET #</u>	<u>DATE</u>	<u>CAD #</u>
1.	Cover Sheet	G-001	8/16/2023	G-001.dwg
2.	General Information	G-101	8/16/2023	G-101.dwg
3.	Roof Demolition Plan	D-100	8/16/2023	D-100.dwg
4.	Roof Plan A	A-100	8/16/2023	A-100.dwg
5.	Roof Plan B	A-101	8/16/2023	A-101.dwg
6.	Roof Plan C	A-102	8/16/2023	A-102.dwg
7.	Roof Details	A-500	8/16/2023	A-500.dwg

END OF SECTION 000115

SECTION 001116 - INVITATION FOR BID

1.0 OWNER:

- A. The State of Missouri
Office of Administration,
Division of Facilities Management, Design and Construction
Jefferson City, Missouri

2.0 PROJECT TITLE AND NUMBER:

- A. REPLACE ROOF SYSTEM
Kansas City DOLIR Office Building
Kansas City, Missouri
Project No.: O2325-01

3.0 BIDS WILL BE RECEIVED:

- A. Until: 1:30 PM, Thursday, October 5, 2023
- B. **Only electronic bids on MissouriBUYS shall be accepted: <https://missouribuys.mo.gov>. Bidder must be registered to bid.**

4.0 DESCRIPTION:

- A. Scope: The project includes installation of fleece-back TPO membrane over the low-slope built-up roofing system. This project also includes minor repairs to the sloped corrugated metal roofing.
- B. MBE/WBE/SDVE Goals: MBE 10%, WBE 10%, and SDVE 3%. **NOTE: Only MBE/WBE firms certified by the State of Missouri Office of Equal Opportunity as of the date of bid opening, or SDVE(s) meeting the requirements of Section 34.074, RSMo and 1 CSR 30-5.010, can be used to satisfy the MBE/WBE/SDVE participation goals for this project.**
- C. ****NOTE:** Bidders are provided new Good Faith Effort (GFE) forms on MissouriBUYS.

5.0 PRE-BID MEETING:

- A. Place/Time: 11 AM, Wednesday, September, 20, 2023, at Kansas City DOLIR Office Building, 1410 Genessee, Kansas City, Missouri
- B. Access to State of Missouri property requires presentation of a photo ID by all persons.

6.0 HOW TO GET PLANS & SPECIFICATIONS:

- A. View Only Electronic bid sets are available at no cost or paper bid sets for a deposit of **\$100.00** from American Document Solutions (ADS). **MAKE CHECKS PAYABLE TO:** American Document Solutions. Mail to: American Document Solutions, 1400 Forum Blvd., Suite 7A, Columbia, Missouri 65203. Phone 573-446-7768, Fax 573-355-5433, <https://www.adsplanroom.net>. **NOTE:** Prime contractors will be allowed a maximum of two bid sets at the deposit rate shown above. Other requesters will be allowed only one bid set at this rate. Additional bid sets or parts thereof may be obtained by any bidder at the cost of printing and shipping by request to American Document Solutions at the address shown above. **Bidder must secure at least one bid set to become a planholder.**
- B. **Refunds: Return plans and specifications in unmarked condition within 15 working days of bid opening to American Document Solutions, 1400 Forum Blvd., Suite 7A, Columbia, Missouri 65203. Phone 573-446-7768, Fax 573-355-5433. Deposits for plans not returned within 15 working days shall be forfeited.**
- C. Information for upcoming bids, including downloadable plans, specifications, Invitation for Bid, bid tabulation, award, addenda, and access to the ADS planholders list, is available on the Division of Facilities Management, Design and Construction's web site: <https://oa.mo.gov/facilities/bid-opportunities/bid-listing-electronic-plans>.

7.0 POINT OF CONTACT:

- A. Designer: Office of Administration, Division of Facilities Management, Design & Construction, Larry Block, 573-526-6270, email: larry.block@oa.mo.gov
- B. Project Manager: Sandra Walther, 573-751-2283, email: sandra.walther@oa.mo.gov

8.0 GENERAL INFORMATION:

- A. The State reserves the right to reject any and all bids and to waive all informalities in bids. No bid may be withdrawn for a period of 20 working days subsequent to the specified bid opening time. The contractor shall pay not less than the prevailing hourly rate of wages for work of a similar character in the locality in which the work is performed, as determined by the Missouri Department of Labor and Industrial Relations and as set out in the detailed plans and specifications.
- B. Bid results will be available at <https://oa.mo.gov/facilities/bid-opportunities/bid-listing-electronic-plans> after it is verified that at least one bid is awardable and affordable.

Very Important MissouriBUYS Instructions to Help Submit a Bid Correctly

- A. The bidder shall submit his or her bid and all supporting documentation on MissouriBUYS eProcurement System. No hard copy bids shall be accepted. Go to <https://missouribuys.mo.gov> and register. The bidder must register and complete a profile fully with all required documents submitted prior to submitting a bid.
- B. Once registered, log in.
1. Under "Solicitation" select "View Current Solicitations."
 2. Under "Filter by Agency" select "OA-FMDC-Contracts Chapter 8", then click "Filter Solicitation" button.
 3. Select "Active Solicitations" tab.
 4. To see the Solicitation Summary, click on the Project Number and the summary will open. Click each heading to open detailed information.
- C. Here are simplified instructions for uploading the bid to MissouriBUYS:
1. Find the solicitation by completing Steps 1 through 4 above.
 2. Select the three dots under "Actions." Select "Add New Response."
 3. When the Quote box opens, give the response a title and select "OK."
 4. The detailed solicitation will open. Select "Check All" for the Original Solicitation Documents, open each document, and select "Accept." If this step is not completed, a bid cannot be uploaded. Scroll to the bottom of the page and select "Add Attachments." If you do not see this command, not all documents have been opened and accepted.
 5. The Supplier Attachments box will open. Select "Add Attachment" again.
 6. The Upload Documents box will open. Read the instructions for uploading. Disregard the "Confidential" check box.
 7. Browse and attach up to 5 files at a time. Scroll to bottom of box and select "Upload." The Supplier Attachments box will open. Repeat Steps 5 through 7 if more than 5 files are to be uploaded.
 8. When the Supplier Attachments box opens again and uploading is complete, select "Done." A message should appear that the upload is successful. If it does not, go to the Bidder Response tab and select "Submit."
 9. The detailed solicitation will open. At the bottom select "Close."
- D. Any time a bidder wants to modify the bid, he or she will have to submit a new one. FMDC will open the last response the bidder submits. The bidder may revise and submit the bid up to the close of the solicitation (bid date and time). Be sure to allow for uploading time so that the bid is successfully uploaded prior to the 1:30 PM deadline; we can only accept the bid if it is uploaded before the deadline.
- E. If you want to verify that you are uploading documents correctly, please contact Paul Girouard: 573-751-4797, paul.girouard@oa.mo.gov ; April Howser: 573-751-0053, April.Howser@oa.mo.gov ; or Mandy Roberson: 573-522-0074, Mandy.Roberson@oa.mo.gov.
- F. If you are experiencing login issues, please contact Web Procure Support (Proactis) at 866-889-8533 anytime from 7:00 AM to 7:00 PM Central Time, Monday through Friday. If you try using a userid or password several times that is incorrect, the system will lock you out. Web Procure Support is the only option to unlock you! If you forget your userid or password, Web Procure Support will provide a temporary userid or password. Also, if it has been a while since your last successful login and you receive an "inactive" message, contact Web Procure (Proactis). If you are having a registration issue, you may contact Cathy Holliday at 573-751-3491 or by email: cathy.holliday@oa.mo.gov.

IMPORTANT REMINDER REGARDING REQUIREMENT FOR OEO CERTIFICATION

A. SECTION 002113 – INSTRUCTIONS TO
BIDDERS: Article 15.0, Section D1:

As of July 1, 2020, all MBE, WBE, and MBE/WBE contractors, subcontractors, and suppliers must be certified by the State of Missouri, Office of Equal Opportunity. No certifications from other Missouri certifying agencies will be accepted.

SECTION 002113 – INSTRUCTIONS TO BIDDERS

1.0 - SPECIAL NOTICE TO BIDDERS

- A. If awarded a contract, the Bidder's employees, and the employees of all subcontractors, who perform the work on the project must adhere to requirements in Section 013513 – Site Security and Health Requirements as applicable per Agency.
- B. The Bidder's prices shall include all city, state, and federal sales, excise, and similar taxes that may lawfully be assessed in connection with the performance of work, and the purchased of materials to be incorporated in the work. THIS PROJECT IS NOT TAX EXEMPT.

2.0 - BID DOCUMENTS

- A. The number of sets obtainable by any one (1) party may be limited in accordance with available supply.
- B. For the convenience of contractors, sub-contractors and suppliers, copies of construction documents are on file at the office of the Director, Division of Facilities Management, Design and Construction and on the Division's web site - <https://oa.mo.gov/facilities/bid-opportunities/bid-listing-electronic-plans>.

3.0 - BIDDERS' OBLIGATIONS

- A. Bidders must carefully examine the entire site of the work and shall make all reasonable and necessary investigations to inform themselves thoroughly as to the facilities available as well as to all the difficulties involved in the completion of all work in accordance with the specifications and the plans. Bidders are also required to examine all maps, plans and data mentioned in the specifications. No plea of ignorance concerning observable existing conditions or difficulties that may be encountered in the execution of the work under this contract will be accepted as an excuse for any failure or omission on the part of the contractor to fulfill in every detail all of the requirements of the contract, nor accepted as a basis for any claims for extra compensation.
- B. Under no circumstances will contractors give their plans and specifications to another contractor. Any bid received from a contractor whose name does not appear on the list of plan holders may be subject to rejection.

4.0 - INTERPRETATIONS

- A. No bidder shall be entitled to rely on oral interpretations as to the meaning of the plans and specifications or the acceptability of alternate products, materials, form or type of construction. Every request for interpretation shall be made in writing and submitted with all supporting documents not less than five (5) working days before opening of bids. Every interpretation made to a bidder will be in the form of an addendum and will be sent as promptly as is practicable to all persons to whom plans and specifications have been issued. All such addenda shall become part of the contract documents.
- B. Approval for an "acceptable substitution" issued in the form of an addendum as per Paragraph 4A above, and as per Article 3.1 of the General Conditions; ACCEPTABLE SUBSTITUTIONS shall constitute approval for use in the project of the product.
- C. An "acceptable substitution" requested after the award of bid shall be approved if proven to the satisfaction of the Owner and the Designer as per Article 3.1, that the product is acceptable in design, strength, durability, usefulness, and convenience for the purpose intended. Approval of the substitution after award is at the sole discretion of the Owner.
- D. A request for "Acceptable Substitutions" shall be made on the Section 006325 Substitution Request Form. The request shall be sent directly to the project Designer. A copy of said request should also be mailed to the Owner, Division of Facilities Management, Design and Construction, Post Office Box 809, Jefferson City, Missouri 65102.

5.0 - BIDS AND BIDDING PROCEDURE

- A. Bidders shall submit all submission forms and accompanying documents listed in SECTION 004113 – BID FORM, Article 5.0, ATTACHMENTS TO BID by the stated time or their bid will be rejected for being non-responsive.

Depending on the specific project requirements, **the following is a GENERIC list** of all possible bid forms that may be due with bid submittals and times when they may be due. Please check for specific project requirements on the proposal form (Section 004113). ***Not all of the following bid forms may be required to be submitted.***

Bid Submittal – due before stated date and time of bid opening (see IFB):

004113	Bid Form (all pages are always required)
004322	Unit Prices Form
004336	Proposed Subcontractors Form
004337	MBE/WBE/SDVE Compliance Evaluation Form
004338	MBE/WBE/SDVE Eligibility Determination for Joint Ventures
004339	MBE/WBE/SDVE GFE Determination
004340	SDVE Business Form
004541	Affidavit of Work Authorization
004545	Anti-Discrimination Against Israel Act Certification form

- B. All bids shall be submitted without additional terms and conditions, modification or reservation on the bid forms with each space properly filled. Bids not on these forms will be rejected.
- C. All bids shall be accompanied by a bid bond executed by the bidder and a duly authorized surety company, certified check, cashier's check or bank draft made payable to the Division of Facilities Management, Design and Construction, State of Missouri, in the amount indicated on the bid form, Section 004113. Failure of the contractor to submit the full amount required shall be sufficient cause to reject his bid. The bidder agrees that the proceeds of the check, draft or bond shall become the property of the State of Missouri, if for any reason the bidder withdraws his bid after closing, or if on notification of award refuses or is unable to execute tendered contract, provide an acceptable performance and payment bond, provide evidence of required insurance coverage and/or provide required copies of affirmative action plans within ten (10) working days after such tender.
- D. The check or draft submitted by the successful bidder will be returned after the receipt of an acceptable performance and payment bond and execution of the formal contract. Checks or drafts of all other bidders will be returned within a reasonable time after it is determined that the bid represented by same will receive no further consideration by the State of Missouri. Bid bonds will only be returned upon request.

6.0 - SIGNING OF BIDS

- A. A bid from an individual shall be signed as noted on the Bid Form.
- B. A bid from a partnership or joint venture shall require only one signature of a partner, an officer of the joint venture authorized to bind the venture or an attorney-in-fact. If the bid is signed by an officer of a joint venture or an attorney-in-fact, a document evidencing the individual's authority to execute contracts should be included with the bid form.
- C. A bid from a limited liability company (LLC) shall be signed by a manager or a managing member of the LLC.
- D. A bid from a corporation shall have the correct corporate name thereon and the signature of an authorized officer of the corporation manually written. Title of office held by the person signing for the corporation shall appear, along with typed name of said individual. Corporate license number shall be provided and, if a corporation organized in a state other than Missouri, a Certificate of Authority to do business in the State of Missouri shall be attached. In addition, for corporate proposals, the President or Vice-President should sign as the bidder. If the signator is other than the corporate president or vice president, the bidder must provide satisfactory evidence that the signator has the legal authority to bind the corporation.

- E. A bid should contain the full and correct legal name of the Bidder. If the Bidder is an entity registered with the Missouri Secretary of State, the Bidder's name on the bid form should appear as shown in the Secretary of State's records.
- F. The Bidder should include its corporate license number on the Bid Form and, if the corporation is organized in a state other than Missouri, a Certificate of Authority to do business in the State of Missouri shall be attached to the bid form.

7.0 - RECEIVING BID SUBMITTALS

- A. It is the bidder's sole responsibility to assure receipt by Owner of bid submittals by the date and time specified in the Invitation for Bid. Bids received after the date and time specified shall not be considered by the Owner.
- B. Bids must be submitted through the MissouriBUYS statewide eProcurement system (<https://www.missouribuys.mo.gov/>) in accordance with the instructions for that system. The Owner shall only accept bids submitted through MissouriBUYS. Bids received by the Owner through any other means, including hard copies, shall not be considered and will be discarded by the Owner unopened.
- C. To respond to an Invitation for Bid, the Bidder must first register with MissouriBUYS by going through the MissouriBUYS Home Page (<https://www.missouribuys.mo.gov/>), clicking the "Register" button at the top of the page, and completing the Vendor Registration. Once registered, the Bidder accesses its account by clicking the "Login" button at the top of the MissouriBUYS Home Page. Enter your USERID and PASSWORD, which the Bidder will select. Under Solicitations, select "View Current Solicitations." A new screen will open. Under "Filter by Agency" select "OA-FMDC-Contracts Chapter 8." Under "Filter by Opp. No." type in the State Project Number. Select "Submit." Above the dark blue bar, select "Other Active Opportunities." To see the Solicitation Summary, single click the Opp. No. (Project Number) and the summary will open. Single quick click each blue bar to open detailed information. The Bidder must read and accept the Original Solicitation Documents and complete all identified requirements. The Bidder should download and save all of the Original Solicitation Documents on its computer so that the Bidder can prepare its response to these documents. The Bidder should upload its completed response to the downloaded documents as an attachment to the electronic solicitation response.
- D. Step-by-step instructions for how a registered vendor responds to a solicitation electronically are provided in Section 001116 – Invitation For Bid.
- E. The Bidder shall submit its bid on the forms provided by the Owner on MissouriBUYS with each space fully and properly completed, including all amounts required for alternate bids, unit prices, cost accounting data, etc. The Owner may reject bids that are not on the Owner's forms or that do not contain all requested information.
- F. No Contractor shall stipulate in his bid any conditions not contained in the specifications or standard bid form contained in the contract documents. To do so may subject the Contractor's bid to rejection.
- G. The completed forms shall be without interlineations, alterations or erasures.

8.0 - MODIFICATION AND WITHDRAWAL OF BIDS

- A. Bidder may withdraw his bid at any time prior to scheduled closing time for receipt of bids, but no bidder may withdraw his bid for a period of twenty (20) working days after the scheduled closing time for receipt of bids.
- B. The Bidder shall modify his or her original bid by submitting a revised bid on MissouriBUYS.

9.0 - AWARD OF CONTRACT

- A. The Owner reserves the right to reject any and/or all bids and further to waive all informalities in bidding when deemed in the best interest of the State of Missouri.
- B. The Owner reserves the right to let other contracts in connection with the work, including but not by way of limitation, contracts for the furnishing and installation of furniture, equipment, machines, appliances and other apparatus.

- C. The Owner shall award a contract to the lowest, responsive, responsible Bidder in accordance with Section 8.250, RSMo. No contract will be awarded to any Bidder who has had a contract with the Owner terminated within the preceding twelve months for material breach of contract or who has been suspended or debarred by the Owner.
- D. Award of alternates, if any, will be made in numerical order unless all bids received are such that the order of acceptance of alternates does not affect the determination of the lowest, responsive, responsible bidder.
- E. No bid shall be considered binding upon the Owner until the written contract has been properly executed, a satisfactory bond has been furnished, evidence of required insurance coverage, submittal of executed Section 004541, Affidavit of Work Authorization form, documentation evidencing enrollment and participation in a federal work authorization program has been received and an affirmative action plan submitted. Failure to execute and return the contract and associated documents within the prescribed period of time shall be treated, at the option of the Owner, as a breach of bidder's obligation and the Owner shall be under no further obligation to bidder.
- F. If the successful bidder is doing business in the State of Missouri under a fictitious name, he shall furnish to Owner, attached to the Bid Form, a properly certified copy of the certificate of Registration of Fictitious Name from the State of Missouri, and such certificate shall remain on file with the Owner.
- G. Any successful bidder which is a corporation organized in a state other than Missouri shall furnish to the Owner, attached to the Bid Form, a properly certified copy of its current Certificate of Authority to do business in the State of Missouri, such certificate to remain on file with the Owner. No contract will be awarded by the Owner unless such certificate is furnished by the bidder.
- H. Any successful bidder which is a corporation organized in the State of Missouri shall furnish at its own cost to the Owner, if requested, a Certificate of Good Standing issued by the Secretary of State, such certificate to remain on file with the Owner.
- I. Transient employers subject to Sections 285.230 and 285.234, RSMo, (out-of-state employers who temporarily transact any business in the State of Missouri) may be required to file a bond with the Missouri Department of Revenue. No contract will be awarded by the Owner unless the successful bidder certifies that he has complied with all applicable provisions of Section 285.230-234.
- J. Sections 285.525 and 285.530, RSMo, require business entities to enroll and participate in a federal work authorization program in order to be eligible to receive award of any state contract in excess of \$5,000. Bidders should submit with their bid an Affidavit of Work Authorization (Section 004541) along with appropriate documentation evidencing such enrollment and participation. Section-004541, Affidavit of Work Authorization is located on the MissouriBUYS solicitation for this project. Bidders must also submit an E-Verify Memorandum before the Owner may award a contract to the Bidder. Information regarding an E-Verify is located at <https://www.uscis.gov/e-verify/>. The contractor shall be responsible for ensuring that all subcontractors and suppliers associated with this contract enroll in E-Verify.

10.0 - CONTRACT SECURITY

- A. The successful bidder shall furnish a performance/payment bond as set forth in General Conditions Article 6.1 on a condition prior to the State executing the contract and issuing a notice to proceed.

11.0 - LIST OF SUBCONTRACTORS

- A. If required by "Section 004113 – Bid Form," each bidder must submit as part of their bid a list of subcontractors to be used in performing the work (Section 004336). The list must specify the name of the single designated subcontractor, for each category of work listed in "Section 004336 - Proposed Subcontractors Form." If work within a category will be performed by more than one subcontractor, the bidder must provide the name of each subcontractor and specify the exact portion of the work to be done by each. Failure to list the Bidder's firm, or a subcontractor for each category of work identified on the Bid Form or the listing of more than one subcontractor for any category without designating the portion of work to be performed by each shall be cause for rejection of the bid. If the bidder intends to perform any of the designated subcontract work with the use of his own employees, the bidder shall make that fact clear, by listing his own firm for the subject category. **If any category of work is left vacant, the bid shall be rejected.**

12.0 - WORKING DAYS

- A. Contract duration time is stated in working days and will use the following definition in determining the actual calendar date for contract completion:
 - 1. Working days are defined as all calendar days except Saturdays, Sundays and the following State of Missouri observed holidays: New Year's Day, Martin Luther King, Jr. Day, Lincoln Day, Washington's Birthday, Truman Day, Memorial Day, Juneteenth, Independence Day, Labor Day, Columbus Day, Veterans Day, Thanksgiving Day and Christmas Day.

13.0 - AMERICAN AND MISSOURI - MADE PRODUCTS AND FIRMS

- A. By signing the bid form and submitting a bid on this project, the Bidder certifies that it will use American and Missouri products as set forth in Article 1.7 of the General Conditions. Bidders are advised to review those requirements carefully prior to bidding.
- B. A preference shall be given to Missouri firms, corporations or individuals, or firms, corporations or individuals that maintain Missouri offices or places of business, when the quality of performance promised is equal or better and the price quoted is the same or less.
- C. Pursuant to Section 34.076, RSMo, a contractor or Bidder domiciled outside the boundaries of the State of Missouri shall be required, in order to be successful, to submit a bid the same percent less than the lowest bid submitted by a responsible contractor or Bidder domiciled in Missouri as would be required for such a Missouri domiciled contractor or Bidder to succeed over the bidding contractor or Bidder domiciled outside Missouri on a like contract or bid being let in the person's domiciliary state and, further, the contractor or Bidder domiciled outside the boundaries of Missouri shall be required to submit an audited financial statement as would be required of a Missouri domiciled contractor or Bidder on a like contract or bid being let in the domiciliary state of that contractor or Bidder.

14.0 – ANTI-DISCRIMINATION AGAINST ISRAEL ACT CERTIFICATION:

- A. Pursuant to section 34.600, RSMo, if the Bidder meets the section 34.600, RSMo, definition of a “company” and the Bidder has ten or more employees, the Bidder must certify in writing that the Bidder is not currently engaged in a boycott of goods or services from the State of Israel as defined in section 34.600, RSMo, and shall not engage in a boycott of goods or services from the State of Israel, if awarded a contract, for the duration of the contract. The Bidder is requested to complete and submit the applicable portion of Section 004545 - Anti-Discrimination Against Israel Act Certification with their Bid Form. The applicable portion of the exhibit must be submitted prior to execution of a contract by the Owner and issuance of Notice to Proceed. If the exhibit is not submitted, the Owner shall rescind its Intent to Award and move to the next lowest, responsive, responsible bidder.

15.0 - MBE/WBE/SDVE INSTRUCTIONS

- A. Definitions:
 - 1. “**MBE**” means a Minority Business Enterprise.
 - 2. “**MINORITY**” has the same meaning as set forth in 1 C.S.R. 10-17.010.
 - 3. “**MINORITY BUSINESS ENTERPRISE**” has the same meaning as set forth in section 37.020, RSMo.
 - 4. “**WBE**” means a Women’s Business Enterprise.
 - 5. “**WOMEN’S BUSINESS ENTERPRISE**” has the same meaning as set forth in section 37.020, RSMo.
 - 6. “**SDVE**” means a Service-Disabled Veterans Enterprise.
 - 7. “**SERVICE-DISABLED VETERAN**” has the same meaning as set forth in section 34.074, RSMo.
 - 8. “**SERVICE-DISABLED VETERAN ENTERPRISE**” has the same meaning as “Service-Disabled Veteran Business” set forth in section 34.074, RSMo.

B. MBE/WBE/SDVE General Requirements:

1. For all bids greater than \$100,000, the Bidder shall obtain MBE, WBE and SDVE participation in an amount equal to or greater than the percentage goals set forth in the Invitation for Bid and the Bid Form, unless the Bidder is granted a Good Faith Effort waiver by the Director of the Division, as set forth below. If the Bidder does not meet the MBE, WBE and SDVE goals, or make a good faith effort to do so, the Bidder shall be non-responsive, and its bid shall be rejected.
2. The Bidder should submit with its bid all of the information requested in the MBE/WBE/SDVE Compliance Evaluation Form for every MBE, WBE, or SDVE subcontractor or material supplier the Bidder intends to use for the contract work. The Bidder is required to submit all appropriate MBE/WBE/SDVE documentation before the stated time and date set forth in the Invitation for Bid. If the Bidder fails to provide such information by the specified date and time, the Owner shall reject the bid.
3. The Director reserves the right to request additional information from a Bidder to clarify the Bidder's proposed MBE, WBE, and/or SDVE participation. The Bidder shall submit the clarifying information requested by the Owner within two (2) Working Days of receiving the request for clarification.
4. Pursuant to section 34.074, RSMo, a Bidder that is a SDVE doing business as Missouri firm, corporation, or individual, or that maintains a Missouri office or place of business, shall receive a three-point bonus preference in the contract award evaluation process. The bonus preference will be calculated and applied by reducing the bid amount of the eligible SDVE by three percent of the apparent low responsive bidder's bid. Based on this calculation, if the eligible SDVE's evaluation is less than the apparent low responsive bidder's bid, the eligible SDVE's bid becomes the apparent low responsive bid. This reduction is for evaluation purposes only, and will have no impact on the actual amount(s) of the bid or the amount(s) of any contract awarded. In order to be eligible for the SDVE preference, the Bidder must complete and submit with its bid the Missouri Service Disabled Veteran Business Form, and any information required by the form. The form is available on the MissouriBUYS solicitation for this project.

C. Computation of MBE/WBE/SDVE Goal Participation:

1. A Bidder who is a MBE, WBE, or SDVE may count 100% of the contract towards the MBE, WBE or SDVE goal, less any amounts awarded to another MBE, WBE or SDVE. (NOTE: A MBE firm that bids as general contractor must obtain WBE and SDVE participation; a WBE firm that bids as a general contractor must obtain MBE and SDVE participation; and a SDVE firm that bids as general contractor must obtain MBE and WBE participation.) In order for the remaining contract amount to be counted towards the MBE, WBE or SDVE goal, the Bidder must complete the MBE/WBE/SDVE Compliance Evaluation Form (Section 004337) identifying itself as an MBE, WBE or SDVE.
2. The total dollar value of the work granted to a certified MBE, WBE or SDVE by the Bidder shall be counted towards the applicable goal.
3. Expenditures for materials and supplies obtained from a certified MBE, WBE, or SDVE supplier or manufacturer may be counted towards the MBE, WBE and SDVE goals, if the MBE, WBE, or SDVE assumes the actual and contractual responsibility for the provision of the materials and supplies.
4. The total dollar value of the work granted to a second or subsequent tier subcontractor or a supplier may be counted towards a Bidder's MBE, WBE and SDVE goals, if the MBE, WBE, or SDVE properly assumes the actual and contractual responsibility for the work.
5. The total dollar value of work granted to a certified joint venture equal to the percentage of the ownership and control of the MBE, WBE, or SDVE partner in the joint venture may be counted towards the MBE/WBE/SDVE goals.
6. Only expenditures to a MBE, WBE, or SDVE that performs a commercially useful function in the work may be counted towards the MBE, WBE and SDVE goals. A MBE, WBE, or SDVE performs a commercially useful function when it is responsible for executing a distinct element of the work and carrying out its responsibilities by actually performing, managing and supervising the work or providing supplies or manufactured materials.

D. Certification of MBE/WBE/SDVE Subcontractors:

1. In order to be counted towards the goals, an MBE or WBE must be certified by the State of Missouri Office of Equal Opportunity and an SDVE must be certified by the State of Missouri, Office of Administration, Division of Purchasing and Material Management or by the Department of Veterans Affairs.
2. The Bidder may determine the certification status of a proposed MBE or WBE subcontractor or supplier by referring to the Office of Equal Opportunity (OEO)'s online MBE/WBE directory (<https://apps1.mo.gov/MWBCertifiedFirms/>). The Bidder may determine the eligibility of a SDVE subcontractor or supplier by referring to the Division of Purchasing and Materials Management's online SDVE directory (<https://oa.mo.gov/sites/default/files/sdvelisting.pdf>) or the Department of Veterans Affairs' directory (<https://vetbiz.va.gov/basic-search/>).
3. Additional information, clarifications, etc., regarding the listings in the directories may be obtained by calling the Division at (573)751-3339 and asking to speak to the Contract Specialist of record as shown in the Supplementary Conditions (Section 007300).

E. Waiver of MBE/WBE/SDVE Participation:

1. If a Bidder has made a good faith effort to secure the required MBE, WBE and/or SDVE participation and has failed, the Bidder shall submit with its bid the information requested in MBE/WBE/SDVE Good Faith Effort (GFE) Determination form. The GFE forms are located on the MissouriBUYS solicitation for this project. The Director will determine if the Bidder made a good faith effort to meet the applicable goals. If the Director determines that the Bidder did not make a good faith effort, the bid shall be rejected as being nonresponsive to the bid requirements. Bidders who demonstrate that they have made a good faith effort to include MBE, WBE, and/or SDVE participation will be determined to be responsive to the applicable participation goals, regardless of the percent of actual participation obtained, if the bid is otherwise acceptable.
2. In determining whether a Bidder has made a good faith effort to obtain MBE, WBE and/or SDVE participation, the Director may evaluate the factors set forth in 1 CSR 30-5.010(6)(C) and the following:
 - a. The amount of actual participation obtained;
 - b. How and when the Bidder contacted potential MBE, WBE, and SDVE subcontractors and suppliers;
 - c. The documentation provided by the Bidder to support its contacts, including whether the Bidder provided the names, addresses, phone numbers, and dates of contact for MBE/WBE/SDVE firms contacted for specific categories of work;
 - d. If project information, including plans and specifications, were provided to MBE/WBE/SDVE subcontractors;
 - e. Whether the Bidder made any attempts to follow-up with MBE, WBE or SDVE firms prior to bid;
 - f. Amount of bids received from any of the subcontractors and/or suppliers that the Bidder contacted;
 - g. The Bidder's stated reasons for rejecting any bids;
3. If no bidder has obtained any participation in a particular category (MBE/WBE/SDVE) or made a good faith effort to do so, the Director may waive that goal rather than rebid.

F. Contractor MBE/WBE/SDVE Obligations

1. If awarded a contract, the Bidder will be contractually required to subcontract with or obtain materials from the MBE, WBE, and SDVE firms listed in its bid, in amounts equal to or greater than the dollar amount bid, unless the amount is modified in writing by the Owner.
2. If the Contractor fails to meet or maintain the participation requirements contained in the Contractor's bid, the Contractor must satisfactorily explain to the Director why it cannot comply with the requirement and why failing meeting the requirement was beyond the Contractor's control. If the Director finds the Contractor's explanation unsatisfactory, the Director may take any appropriate action including, but not limited to:
 - a. Declaring the Contractor ineligible to participate in any contracts with the Division for up to twelve (12) months (suspension); and/or
 - b. Declaring the Contractor be non-responsive to the Invitation for Bid, or in breach of contract and rejecting the bid or terminating the contract.
3. If the Contractor replaces an MBE, WBE, or SDVE during the course of this contract, the Contractor shall replace it with another MBE, WBE, or SDVE or make a good faith effort to do so. All MBE, WBE and SDVE substitutions must be approved by the Director.
4. The Contractor shall provide the Owner with regular reports on its progress in meeting its MBE/WBE/SDVE obligations. At a minimum, the Contractor shall report the dollar-value of work completed by each MBE, WBE, or SDVE during the preceding month and the cumulative total of work completed by each MBE, WBE or SDVE to date with each monthly application for payment. The Contractor shall also make a final report, which shall include the total dollar-value of work completed by each MBE, WBE, and SDVE during the entire contract.

**STATE OF MISSOURI
DIVISION OF FACILITIES MANAGEMENT,
DESIGN AND CONSTRUCTION
*MBE/WBE/SDVE DIRECTORIES***

The MBE/WBE Directory for goods and services is maintained by the Office of Equal Opportunity (OEO) and is located at the following web address:

<https://apps1.mo.gov/MWBCertifiedFirms/>

The SERVICE DISABLED VETERAN ENTERPRISE (SDVE) Directories may be accessed at the following web addresses:

<https://o eo.mo.gov/wp-content/uploads/2023/07/list-certified-missouri-service-disabled-veteran-business-enterprises-sdves.pdf>

<https://veterans.certify.sba.gov/#search>



State of Missouri Construction Contract

THIS AGREEMENT is made (DATE) by and between:

Contractor Name and Address

hereinafter called the "Contractor,"

and the **State of Missouri**, hereinafter called the "**Owner**", represented by the Office of Administration, Division of Facilities Management, Design and Construction.

WITNESSETH, that the Contractor and the Owner, for the consideration stated herein agree as follows:

ARTICLE 1. STATEMENT OF WORK

The Contractor shall furnish all labor and materials and perform all work required for furnishing and installing all labor, materials, equipment and transportation and everything necessarily inferred from the general nature and tendency of the plans and specifications for the proper execution of the work for:

Project Name: **REPLACE ROOF SYSTEM**
 Kansas City DOLIR Office Building
 Kansas City, Missouri

Project Number: **O2325-01**

in strict accordance with the Contract Documents as enumerated in Article 7, all of which are made a part hereof.

ARTICLE 2. TIME OF COMPLETION

The contract performance time is **85 working days** from the transmittal date of this agreement. The contract completion date is **MONTH, DAY, YEAR**. This time includes ten (10) working days for the Contractor to receive, sign and return the contract form along with required bonding and insurance certificates. Failure of the Contractor to provide correct bonding and insurance within the ten (10) working days shall not be grounds for a time extension. Receipt of proper bonding and insurance is a condition precedent to the formation of the contract and if not timely received, may result in forfeiture of the Contractor's bid security. Work may not commence until the Owner issues a written Notice to Proceed and must commence within seven (7) working days thereafter.

ARTICLE 3. LIQUIDATED DAMAGES

Whenever time is mentioned in this contract, time shall be and is of the essence of this contract. The Owner would suffer a loss should the Contractor fail to have the work embraced in this contract fully completed on or before the time above specified. **THEREFORE**, the parties hereto realize in order to adjust satisfactorily the damages on account of such failure that it might be impossible to compute accurately or estimate the amount of such loss or damages which the Owner would sustain by reason of failure to complete fully said work within the time required by this contract. The Contractor hereby covenants and agrees to pay the Owner, as and for **liquidated damages, the sum of \$700** per day for each and every day, Sunday and legal holidays excepted, during which the work remains incomplete and unfinished. Any sum which may be due the Owner for such damages shall be deducted and retained by the Owner from any balance which may be due the Contractor when said work shall have been finished and accepted. But such provisions shall not release the Bond of the Contractor from liability according to its terms. In case of failure to complete, the Owner will be under no obligation to show or prove any actual or specific loss or damage.

ARTICLE 4. CONTRACT SUM

The Owner shall pay the Contractor for the prompt, faithful and efficient performance of the conditions and undertakings of this contract, subject to additions, and deductions as provided herein, in current funds the sum of:

Base Bid: \$

TOTAL CONTRACT AMOUNT: (\$CONTRACT AMOUNT)

UNIT PRICES: The Owner accepts the following Unit Prices:

For changing specified quantities of work from those indicated by the contract drawings and specifications, upon written instructions of Owner, the following unit prices shall prevail. The unit prices include all labor, overhead and profit, materials, equipment, appliances, bailing, shoring, shoring removal, etc., to cover the finished work of the several kinds of work called for. Only a single unit price shall be given and it shall apply for either MORE or LESS work than that shown on the drawings and called for in the specifications or included in the Base Bid. In the event of more or less units than so indicated or included, change orders may be issued for the increased or decreased amount.

ARTICLE 5. PREVAILING WAGE RATE

MISSOURI PREVAILING WAGE LAW (Sections 290.210 to 290.340, RSMo): The Contractor shall pay not less than the specified hourly rate of wages, as set out in the wage order attached to and made part of the specifications for work under this contract, to all workers performing work under the contract, in accordance with sections 290.210 to 290.340, RSMo. The Contractor shall forfeit a penalty to the Owner of one hundred dollars per day (or portion of a day) for each worker that is paid less than the specified rates for any work done under the contract by the Contractor or by any subcontractor, in accordance with section 290.250, RSMo.

DAVIS-BACON ACT: If this Project is financed in whole or in part from Federal funds (as indicated in the Instructions to Bidders or other bid or contract documents for this Project), then this contract shall be subject to all applicable federal labor statutes, rules and regulations, including provisions of the Davis-Bacon Act, 40 U.S.C. §3141 et seq., and the “Federal Labor Standards Provisions,” as further set forth in Section 007333 – Supplementary General Conditions for Federally Funded/Assisted Construction Projects, which is incorporated into the contract by reference. Where the Missouri Prevailing Wage Law and the Davis-Bacon Act require payment of different wages for work performed under this contract, the Contractor and all Subcontractors shall pay the greater of the wages required under either law, on a classification by classification basis.

ARTICLE 6. MINORITY/WOMEN/SERVICE DISABLED VETERAN BUSINESS ENTERPRISE PARTICIPATION

The Contractor has been granted a waiver of the 10% MBE and 10% WBE and 3% SDVE participation goals. The Contractor agrees to secure the MBE/WBE/SDVE participation amounts for this project as follows: (OR)

The Contractor has met the MBE/WBE/SDVE participation goals and agrees to secure the MBE/WBE/SDVE participation amounts for this project as follows:

MBE/WBE/SDVE Firm: Subcontract Amt:\$
MBE/WBE/SDVE Firm: Subcontract Amt:\$
MBE/WBE/SDVE Firm: Subcontract Amt:\$

Total \$

MBE/WBE/SDVE assignments identified above shall not be changed without a contract change signed by the Owner.

The Director of the Division of Facilities Management, Design and Construction or his Designee shall be the final authority to resolve disputes and disagreements between the Contractor and the MBE/WBE/SDVE firms listed above when such disputes impact the subcontract amounts shown above.

ARTICLE 7. CONTRACT DOCUMENTS

The following documents are hereby incorporated into this contract by reference (all division/section numbers and titles are as utilized in the Project Manual published by the Owner for this Project):

1. Division 0 – Procurement and Contracting Information, including, but not limited to:
 - a. Invitation for Bid (Section 001116)
 - b. Instructions to Bidders (Section 002113)
 - c. Supplementary Instructions to Bidders (if applicable) (Section 002213)
 - d. The following documents as completed and executed by the Contractor and accepted by the Owner, if applicable:
 - i. Bid Form (Section 004113)
 - ii. Unit Prices (Section 004322)
 - iii. Proposed Contractors Form (Section 004336)
 - iv. MBE, WBE, SDVE Compliance Evaluation Form(s) (Section 004337)
 - v. MBE, WBE, SDVE Eligibility Determination Form for Joint Ventures (Section 004338)
 - vi. MBE, WBE, SDVE Good Faith Effort (GFE) Determination Form (Section 004339)
 - vii. Missouri Service Disabled Veteran Business Form (Section 004340)
 - viii. Affidavit of Work Authorization (Section 004541)
 - ix. Affidavit for Affirmative Action (Section 005414)
 - e. Performance and Payment Bond, completed and executed by the Contractor and surety (Section 006113)
 - f. General Conditions (Section 007213)
 - g. Supplementary Conditions (Section 007300)
 - h. Supplementary General Conditions for Federally Funded/Assisted Construction Projects (Section 007333)
 - i. Wage Rate(s) (Section 007346)
2. Division 1 – General Requirements
3. All Drawings identified in the Project Manual
4. All Technical Specifications included in the Project Manual
5. Addenda, if applicable

ARTICLE 8 – CERTIFICATION

By signing this contract, the Contractor hereby re-certifies compliance with all legal requirements set forth in Section 6.0, Bidder’s Certifications of the Bid Form.

Further, if the Contractor provides any “personal information” as defined in §105.1500, RSMo concerning an entity exempt from federal income tax under Section 501(c) of the Internal Revenue Code of 1986, as amended, the Contractor understands and agrees that it is voluntarily choosing to enter into a state contract and providing such information for that purpose. The state will treat such personal information in accord with §105.1500, RSMo.

By signature below, the parties hereby execute this contract document.

APPROVED:

 Brian Yansen, Director
 Division of Facilities Management,
 Design and Construction

 Contractor’s Authorized Signature

I, Corporate Secretary, certify that I am Secretary of the corporation named above and that (CONTRACTOR NAME), who signed said contract on behalf of the corporation, was then (TITLE) of said corporation and that said contract was duly signed for and in behalf of the corporation by authority of its governing body, and is within the scope of its corporate powers.

Corporate Secretary



STATE OF MISSOURI
 OFFICE OF ADMINISTRATION
 DIVISION OF FACILITIES MANAGEMENT, DESIGN AND CONSTRUCTION
AFFIDAVIT FOR AFFIRMATIVE ACTION

PROJECT NUMBER

NAME

First being duly sworn on oath states: that

he/she is the sole proprietor partner officer or manager or managing member of

NAME

a sole proprietorship partnership
 limited liability company (LLC)

or corporation, and as such, said proprietor, partner, or officer is duly authorized to make this

affidavit on behalf of said sole proprietorship, partnership, or corporation; that under the contract known as

PROJECT TITLE

Less than 50 persons in the aggregate will be employed and therefore, the applicable Affirmative Action requirements as set forth in Article 1.4 of the General Conditions of the State of Missouri have been met.

PRINT NAME & SIGNATURE

DATE

--

NOTARY INFORMATION

NOTARY PUBLIC EMBOSSER SEAL	STATE OF	COUNTY (OR CITY OF ST. LOUIS)	USE RUBBER STAMP IN CLEAR AREA BELOW
	SUBSCRIBED AND SWORN BEFORE ME, THIS		
	DAY OF	YEAR	
	NOTARY PUBLIC SIGNATURE	MY COMMISSION EXPIRES	
NOTARY PUBLIC NAME (TYPED OR PRINTED)			

SECTION 006113 - PERFORMANCE AND PAYMENT BOND FORM

KNOW ALL MEN BY THESE PRESENTS, THAT we _____

as principal, and _____

_____ as Surety, are held and firmly bound unto the

STATE OF MISSOURI. in the sum of _____ Dollars (\$ _____)

for payment whereof the Principal and Surety bind themselves, their heirs, executors, administrators and successors, jointly and severally, firmly by these presents.

WHEREAS, the Principal has, by means of a written agreement dated the _____

day of _____, 20_____, enter into a contract with the State of Missouri for

(Insert Project Title and Number)

NOW, THEREFORE, if the Principal shall faithfully perform and fulfill all the undertakings, covenants, terms, conditions and agreements of said contract during the original term of said contract and any extensions thereof that may be granted by the State of Missouri, with or without notice to the Surety and during the life of any guaranty required under the contract; and shall also faithfully perform and fulfill all undertakings, covenants, terms, conditions and agreements of any and all duly authorized modifications of said contract that may hereafter be made with or without notice to the Surety; and shall also promptly make payment for materials incorporated, consumed or used in connection with the work set forth in the contract referred to above, and all insurance premiums, both compensation and all other kinds of insurance, on said work, and for all labor performed on such work, whether by subcontractor or otherwise, at not less than the prevailing hourly rate of wages for work of a similar character (exclusive of maintenance work) in the locality in which the work is performed and not less than the prevailing hourly rate of wages for legal holiday and overtime work (exclusive of maintenance work) in the locality in which the work is performed both as determined by the Department of Labor and Industrial Relations or determined by the Court of Appeal, as provided for in said contract and in any and all duly authorized modifications of said contract that may be hereafter made, with or without notice to the Surety, then, this obligation shall be void and of no effect, but it is expressly understood that if the Principal should make default in or should fail to strictly, faithfully and efficiently do, perform and comply with any or more of the covenants, agreements, stipulations, conditions, requirements or undertakings, as specified in or by the terms of said contract, and with the time therein named, then this obligation shall be valid and binding upon each of the parties hereto and this bond shall remain in full force and effect; and the same may be sued on at the instance of any material man, laborer, mechanic, subcontractor, individual, or otherwise to whom such payment is due, in the name of the State of Missouri, to the use of any such person.

AND, IT IS FURTHER specifically provided that any modifications which may hereinafter be made in the terms of the contract or in the work to be done under it or the giving by the Owner of any extension of the time for the performance of the contract or any other forbearance on the part of either the Owner or the Principal to the other, shall not in any way release the Principal and the Surety, or either or any of them, their heirs, executors, administrators and successors, from their liability hereunder, notice to the Surety of any such extension, modifications or forbearance being hereby waived.

IN WITNESS WHEREOF, the above bounden parties have executed the within instrument this _____ day of _____, 20 ____.

AS APPLICABLE:

AN INDIVIDUAL

Name: _____

Signature: _____

A PARTNERSHIP

Name of Partner: _____

Signature of Partner: _____

Name of Partner: _____

Signature of Partner: _____

CORPORATION

Firm Name: _____

Signature of President: _____

SURETY

Surety Name: _____

Attorney-in-Fact: _____

Address of Attorney-in-Fact: _____

Telephone Number of Attorney-in-Fact: _____

Signature Attorney-in-Fact: _____

NOTE: Surety shall attach Power of Attorney



STATE OF MISSOURI
 OFFICE OF ADMINISTRATION
 DIVISION OF FACILITIES MANAGEMENT, DESIGN AND CONSTRUCTION
PRODUCT SUBSTITUTION REQUEST

PROJECT NUMBER

PROJECT TITLE AND LOCATION

CHECK APPROPRIATE BOX

- SUBSTITUTION PRIOR TO BID OPENING**
 (Minimum of (5) working days prior to receipt of Bids as per Article 4 – Instructions to Bidders)
- SUBSTITUTION FOLLOWING AWARD**
 (Maximum of (20) working days from Notice to Proceed as per Article 3 – General Conditions)

FROM: BIDDER/CONTRACTOR (PRINT COMPANY NAME)

TO: ARCHITECT/ENGINEER (PRINT COMPANY NAME)

Bidder/Contractor hereby requests acceptance of the following product or systems as a substitution in accordance with provisions of Division One of the Bidding Documents:

SPECIFIED PRODUCT OR SYSTEM

SPECIFICATION SECTION NO.

SUPPORTING DATA

- Product data for proposed substitution is attached (include description of product, standards, performance, and test data)
- Sample Sample will be sent, if requested

QUALITY COMPARISON

	SPECIFIED PRODUCT	SUBSTITUTION REQUEST
NAME, BRAND		
CATALOG NO.		
MANUFACTURER		
VENDOR		

PREVIOUS INSTALLATIONS

PROJECT	ARCHITECT/ENGINEER	DATE INSTALLED
LOCATION		

SIGNIFICANT VARIATIONS FROM SPECIFIED PRODUCT

REASON FOR SUBSTITUTION

DOES PROPOSED SUBSTITUTION AFFECT OTHER PARTS OF WORK?

YES NO

IF YES, EXPLAIN

SUBSTITUTION REQUIRES DIMENSIONAL REVISION OR REDESIGN OF STRUCTURE OR A/E WORK

YES NO

BIDDER'S/CONTRACTOR'S STATEMENT OF CONFORMANCE OF PROPOSED SUBSTITUTION TO CONTRACT REQUIREMENT:

We have investigated the proposed substitution. We believe that it is equal or superior in all respects to specified product, except as stated above; that it will provide the same Warranty as specified product; that we have included complete implications of the substitution; that we will pay redesign and other costs caused by the substitution which subsequently become apparent; and that we will pay costs to modify other parts of the Work as may be needed, to make all parts of the Work complete and functioning as a result of the substitution.

BIDDER/CONTRACTOR

DATE

REVIEW AND ACTION

Resubmit Substitution Request with the following additional information:

Substitution is accepted.

Substitution is accepted with the following comments:

Substitution is not accepted.

ARCHITECT/ENGINEER

DATE



PROJECT NUMBER

KNOW ALL MEN BY THESE PRESENT THAT: hereinafter called "Subcontractor" who heretofore entered into an agreement with hereinafter called "Contractor", for the performance of work and/or furnishing of material for the construction of the project entitled

(PROJECT TITLE, PROJECT LOCATION, AND PROJECT NUMBER)

at

 (ADDRESS OF PROJECT)

for the State of Missouri (Owner) which said subcontract is by this reference incorporated herein, in consideration of such final payment by Contractor.

DOES HEREBY:

1. ACKNOWLEDGE that they have been **PAID IN FULL** all sums due for work and materials contracted or done by their Subcontractors, Material Vendors, Equipment and Fixture Suppliers, Agents and Employees, or otherwise in the performance of the Work called for by the aforesaid Contract and all modifications or extras or additions thereto, for the construction of said project or otherwise.
2. RELEASE and fully, finally, and forever discharge the Owner from any and all suits, actions, claims, and demands for payment for work performed or materials supplied by Subcontractor in accordance with the requirements of the above referenced Contract.
1. REPRESENT that all of their Employees, Subcontractors, Material Vendors, Equipment and Fixture Suppliers, and everyone else has been **paid in full** all sums due them, or any of them, in connection with performance of said Work, or anything done or omitted by them, or any of them in connection with the construction of said improvements, or otherwise.

DATED this day of , 20 .

NAME OF SUBCONTRACTOR

BY (TYPED OR PRINTED NAME)

SIGNATURE

TITLE

ORIGINAL: FILE/Closeout Documents



STATE OF MISSOURI
 OFFICE OF ADMINISTRATION
 DIVISION OF FACILITIES MANAGEMENT,
 DESIGN AND CONSTRUCTION

MBE/WBE/SDVE PROGRESS REPORT

Remit with **ALL** Progress and Final Payments

(Please check appropriate box) CONSULTANT CONSTRUCTION

PAY APP NO.	PROJECT NUMBER
CHECK IF FINAL <input checked="" type="checkbox"/> FINAL	DATE

PROJECT TITLE

PROJECT LOCATION

FIRM

ORIGINAL CONTRACT SUM (Same as Line Item 1. on Form A of Application for Payment)
\$

TOTAL CONTRACT SUM TO DATE (Same as Line Item 3. on Form A of Application for Payment)
\$

THE TOTAL MBE/WBE/SDVE PARTICIPATION DOLLAR AMOUNT OF THIS PROJECT AS INDICATED IN THE ORIGINAL CONTRACT: \$

SELECT MBE, WBE, SDVE	ORIGINAL CONTRACT PARTICIPATION AMOUNT	PARTICIPATION AMOUNT PAID-TO-DATE (includes approved contract changes)	CONSULTANT/SUBCONSULTANT OR CONTRACTOR/SUBCONTRACTOR/SUPPLIER COMPANY NAME
<input type="checkbox"/> MBE <input type="checkbox"/> WBE <input type="checkbox"/> SDVE	\$	\$	
<input type="checkbox"/> MBE <input type="checkbox"/> WBE <input type="checkbox"/> SDVE	\$	\$	
<input type="checkbox"/> MBE <input type="checkbox"/> WBE <input type="checkbox"/> SDVE	\$	\$	
<input type="checkbox"/> MBE <input type="checkbox"/> WBE <input type="checkbox"/> SDVE	\$	\$	
<input type="checkbox"/> MBE <input type="checkbox"/> WBE <input type="checkbox"/> SDVE	\$	\$	
<input type="checkbox"/> MBE <input type="checkbox"/> WBE <input type="checkbox"/> SDVE	\$	\$	

INSTRUCTIONS FOR MBE/WBE/SDVE PROGRESS REPORT

CONTRACTOR OR CONSULTANT TO FILL OUT AND REMIT WITH EACH PAY APPLICATION:

The MBE/WBE/SDVE Progress Report for the project is issued with the contract comprising values reported in the consultant's Proposal or on the successful contractor's Section 004337 Compliance Evaluation Forms.

At Initial Pay Application fill in the following:

1. Pay App No. Start with 1.
2. Fill in the Project Number and Date.
3. Enter Project Title, Project Location, and Firm.
4. Fill in the "Original Contract Sum" and "Total Contract Sum To Date" (Reference applicable Line Items on Form A of Application for Payment).
5. Indicate the Total Participation Dollar Amount from the Original Contract.
6. Select MBE, WBE, or SDVE for each Consultant/Subconsultant or Contractor/Subcontractor/Supplier.
7. Enter the "Total Amount of Subcontract", "\$ Amount (Paid-To-Date)", and Company Name.

For all subsequent Pay Applications fill in the following:

1. Pay App No.
2. If Final Pay App, check box.
3. Fill in the Project Number and Date.
4. Enter Project Title, Project Location, and Firm
5. At each Pay App fill in the "Original Contract Sum" and "Total Contract Sum To Date" (reference applicable Line Items on Form A of Application for Payment).
6. Indicate the Total Participation Dollar Amount from the Original Contract.
7. Select MBE, WBE, or SDVE for each Consultant/Subconsultant or Contractor/Subcontractor/Supplier
8. Enter the "Total Amount of Subcontract", "\$ Amount (Paid-To-Date)", and Company Name.



STATE OF MISSOURI
 OFFICE OF ADMINISTRATION
 DIVISION OF FACILITIES MANAGEMENT, DESIGN AND CONSTRUCTION
AFFIDAVIT – COMPLIANCE WITH PREVAILING WAGE LAW

PROJECT NUMBER

Before me, the undersigned Notary Public, in and for the County of _____

State of _____ personally came and appeared _____

(NAME)

_____ of the _____

(POSITION) (NAME OF THE COMPANY)

(a corporation) (a partnership) (a proprietorship) and after being duly sworn did depose and say that all provisions and requirements set out in Chapter 290, Sections 290.210 through and including 290.340, Missouri Revised Statutes, pertaining to the payment of wages to workmen employed on public works project have been fully satisfied and there has been no exception to the full and completed compliance with said provisions and requirements and with Wage Determination No: _____ issued by the Department of Labor and Industrial Relations, State of Missouri on the _____ day of _____ 20 _____ in carrying out the contract and working in connection with _____

(NAME OF PROJECT)

Located at _____ in _____ County

(NAME OF THE INSTITUTION)

Missouri, and completed on the _____ day of _____ 20 _____

SIGNATURE

NOTARY INFORMATION

NOTARY PUBLIC EMBOSSEER OR BLACK INK RUBBER STAMP SEAL	STATE	COUNTY (OR CITY OF ST. LOUIS)
	SUBSCRIBED AND SWORN BEFORE ME, THIS	
	DAY OF	YEAR
	NOTARY PUBLIC SIGNATURE	MY COMMISSION EXPIRES
NOTARY PUBLIC NAME (TYPED OR PRINTED)		USE RUBBER STAMP IN CLEAR AREA BELOW

FILE: Closeout Documents

GENERAL CONDITIONS

INDEX

ARTICLE:

1. General Provisions

- 1.1. Definitions
- 1.2. Drawings and Specifications
- 1.3. Compliance with Laws, Permits, Regulations and Inspections
- 1.4. Nondiscrimination in Employment
- 1.5. Anti-Kickback
- 1.6. Patents and Royalties
- 1.7. Preference for American and Missouri Products and Services
- 1.8. Communications
- 1.9. Separate Contracts and Cooperation
- 1.10. Assignment of Contract
- 1.11. Indemnification
- 1.12. Disputes and Disagreements

2. Owner/Designer Responsibilities

3. Contractor Responsibilities

- 3.1. Acceptable Substitutions
- 3.2. Submittals
- 3.3. As-Built Drawings
- 3.4. Guaranty and Warranties
- 3.5. Operation and Maintenance Manuals
- 3.6. Other Contractor Responsibilities
- 3.7. Subcontracts

4. Changes in the Work

- 4.1. Changes in the Work
- 4.2. Changes in Completion Time

5. Construction and Completion

- 5.1. Construction Commencement
- 5.2. Project Construction
- 5.3. Project Completion
- 5.4. Payments

6. Bond and Insurance

6.1. Bond

6.2. Insurance

7. Termination or Suspension of Contract

7.1. For Site Conditions

7.2. For Cause

7.3. For Convenience

SECTION 007213 - GENERAL CONDITIONS

- A. These General Conditions apply to each section of these specifications. The Contractor is subject to the provisions contained herein.
- B. The General Conditions are intended to define the relationship of the Owner, the Designer and the Contractor thereby establishing certain rules and provisions governing the operation and performance of the work so that the work may be performed in a safe, orderly, expeditious and workmanlike manner.

ARTICLE 1 – GENERAL PROVISIONS

ARTICLE 1.1 - DEFINITIONS

As used in these contract documents, the following terms shall have the meanings and refer to the parties designated in these definitions.

1. **"COMMISSIONER"**: The Commissioner of the Office of Administration.
2. **"CONSTRUCTION DOCUMENTS"**: The "Construction Documents" shall consist of the Project Manual, Drawings and Addenda.
3. **"CONSTRUCTION REPRESENTATIVE:"** Whenever the term "Construction Representative" is used, it shall mean the Owner's Representative at the work site.
4. **"CONTRACTOR"**: Party or parties who have entered into a contract with the Owner to furnish work under these specifications and drawings.
5. **"DESIGNER"**: When the term "Designer" is used herein, it shall refer to the Architect, Engineer, or Consultant of Record specified and defined in Paragraph 2.0 of the Supplemental Conditions, or his duly authorized representative. The Designer may be either a consultant or state employee.
6. **"DIRECTOR"**: Whenever the term "Director" is used, it shall mean the Director of the Division of Facilities Management, Design and Construction or his Designee, representing the Office of Administration, State of Missouri. The Director is the agent of the Owner.
7. **"DIVISION"**: Shall mean the Division of Facilities Management, Design and Construction, State of Missouri.

8. **"INCIDENTAL JOB BURDENS"**: Shall mean those expenses relating to the cost of work, incurred either in the home office or on the job-site, which are necessary in the course of doing business but are incidental to the job. Such costs include office supplies and equipment, postage, courier services, telephone expenses including long distance, water and ice and other similar expenses.
9. **"JOINT VENTURE"**: An association of two (2) or more businesses to carry out a single business enterprise for profit for which purpose they combine their property, capital, efforts, skills and knowledge.
10. **"OWNER"**: Whenever the term "Owner" is used, it shall mean the State of Missouri.
11. **"PROJECT"**: Wherever the term "Project" is used, it shall mean the work required to be completed by the construction contract.
12. **"PROJECT MANUAL"**: The "Project Manual" shall consist of Introductory Information, Invitation for Bid, Instructions to Bidders, Bid Documents, Additional Information, Standard Forms, General Conditions, Supplemental General Conditions, General Requirements and Technical Specifications.
13. **"SUBCONTRACTOR"**: Party or parties who contract under, or for the performance of part or this entire Contract between the Owner and Contractor. The subcontract may or may not be direct with the Contractor.
14. **"WORK"**: Labor, material, supplies, plant and equipment required to perform and complete the service agreed to by the Contractor in a safe, expeditious, orderly and workmanlike manner so that the project shall be complete and finished in the best manner known to each respective trade.
15. **"WORKING DAYS"**: are all calendar days except Saturdays, Sundays and the following holidays: New Year's Day, Martin Luther King, Jr. Day, Lincoln Day, Washington's Birthday (observed), Truman Day, Memorial Day, Juneteenth, Independence Day, Labor Day, Columbus Day, Veterans Day (observed), Thanksgiving Day, Christmas Day.

ARTICLE 1.2 DRAWINGS AND SPECIFICATIONS

- A. In case of discrepancy between drawings and specifications, specifications shall govern. Should discrepancies in architectural drawings, structural drawings and mechanical drawings occur,

architectural drawings shall govern and, in case of conflict between structural and mechanical drawings, structural drawings shall govern.

- B. Specifications are separated into titled divisions for convenience of reference only and to facilitate letting of contracts and subcontracts. The Contractor is responsible for establishing the scope of work for subcontractors, which may cross titled divisions. Neither the Owner nor Designer will establish limits and jurisdiction of subcontracts.
- C. Figured dimensions take precedence over scaled measurements and details over smaller scale general drawings. In the event of conflict between any of the documents contained within the contract, the documents shall take precedence and be controlling in the following sequence: addenda, supplementary general conditions, general conditions, division 1 specifications, technical division specifications, drawings, bid form and instructions to bidders.
- D. Anything shown on drawings and not mentioned in these specifications or vice versa, as well as any incidental work which is obviously necessary to complete the project within the limits established by the drawings and specifications, although not shown on or described therein, shall be performed by the Contractor at no additional cost as a part of his contract.
- E. Upon encountering conditions differing materially from those indicated in the contract documents, the Contractor shall promptly notify the Designer and Construction Representative in writing before such conditions are disturbed. The Designer shall promptly investigate said conditions and report to the Owner, with a recommended course of action. If conditions do materially differ and cause an increase or decrease in contract cost or time required for completion of any portion of the work, a contract change will be initiated as outlined in Article 4 of these General Conditions.
- E. Only work included in the contract documents is authorized, and the Contractor shall do no work other than that described therein or in accordance with appropriately authorized and approved contract changes.

ARTICLE 1.3 - COMPLIANCE WITH LAWS, PERMITS, REGULATIONS AND INSPECTIONS

- A. Since the Owner is the State of Missouri, municipal or political subdivisions, zoning ordinances, construction codes (other than licensing of trades), and other like ordinances are not applicable to construction on Owner's property, and Contractor will not be required to submit drawings and specifications to any municipal or political subdivision, authority, obtain

construction permits or any other licenses (other than licensing of trades) or permits from or submit to inspections by any municipality or political subdivision relating to the construction for this project. All permits or licenses required by municipality or political subdivision for operation on property not belonging to Owner shall be obtained by and paid for by Contractor. Each Contractor shall comply with all applicable laws, ordinances, rules and regulations that pertain to the work of this contract.

- B. Contractors, subcontractors and their employees engaged in the businesses of electrical, mechanical, plumbing, carpentry, sprinkler system work, and other construction related trades shall be licensed to perform such work by the municipal or political subdivision where the project is located, if such licensure is required by local code. Local codes shall dictate the level (master, journeyman, and apprentice) and the number, type and ratio of licensed tradesmen required for this project within the jurisdiction of such municipal or political subdivision.
- C. Equipment and controls manufacturers and their authorized service and installation technicians that do not maintain an office within the jurisdiction of the municipal or political subdivision but are a listed or specified contractor or subcontractor on this project are exempt from Paragraph 1.3 B above.
- D. The Contractor shall post a copy of the wage determination issued for the project and included as a part of the contract documents, in a prominent and easily accessible location at the site of construction for the duration of the project.
- E. Any contractor or subcontractor to such contractor at any tier signing a contract to work on this project shall provide a ten-hour Occupational Safety and Health Administration (OSHA) construction safety program for their on-site employees which includes a course in construction safety and health approved by OSHA or a similar program approved by the Department of Labor and Industrial Relations which is at least as stringent as an approved OSHA program. The contractor shall forfeit as a penalty to the public body on whose behalf the contract is made or awarded, two thousand five hundred dollars plus one hundred dollars for each employee employed by the contractor or subcontractor, for each calendar day, or portion thereof, such employee is employed without the required training.

ARTICLE 1.4 - NONDISCRIMINATION IN EMPLOYMENT

- A. The Contractor and his subcontractors will not discriminate against individuals based on race,

color, religion, national origin, sex, disability, or age, but may use restrictions which relate to bona fide occupational qualifications. Specifically, the Contractor and his subcontractors shall not discriminate:

1. Against recipients of service on the basis of race, color, religion, national origin, sex, disability or age.
2. Against any employee or applicant, for employment on the basis of race, color, religion, national origin, sex or otherwise qualified disability status.
3. Against any applicant for employment or employee on the basis of age, where such applicant or employee is between ages 40 and 70 and where such Contractor employs at least 20 persons.
4. Against any applicant for employment or employee on the basis of that person's status as a disabled or Vietnam-era veteran.

The Contractor and his Subcontractors will take affirmative action to insure applicants for employment and employees are treated equally without regard to race, color, religion, national origin, sex, disability, or age. Such action shall include, but not be limited to, the following: employment, upgrading, demotion and transfer; recruitment or recruitment advertising; and selection for training, including apprenticeship. The Contractor and his Subcontractors will give written notice of their commitments under this clause to any labor union with which they have bargaining or other agreements.

- B. The Contractor and his subcontractors shall develop, implement, maintain and submit in writing to the Owner an affirmative action program if at least fifty (50) persons in the aggregate are employed under this contract. If less than fifty (50) persons in the aggregate are to be employed under this contract, the Contractor shall submit, in lieu of the written affirmative action program, a properly executed Affidavit for Affirmative Action in the form included in the contract specifications. For the purpose of this section, an "affirmative action program" means positive action to influence all employment practices (including, but not limited to, recruiting, hiring, promoting and training) in providing equal employment opportunity regardless of race, color, sex, national origin, religion, age (where the person affected is between age 40 and 70), disabled and Vietnam-era veteran status, and disability. Such "affirmative action program" shall include:

1. A written policy statement committing the total organization to affirmative action and

assigning management responsibilities and procedures for evaluation and dissemination;

2. The identification of a person designated to handle affirmative action;
3. The establishment of non-discriminatory selection standards, objective measures to analyze recruitment, an upward mobility system, a wage and salary structure, and standards applicable to lay-off, recall, discharge, demotion and discipline;
4. The exclusion of discrimination from all collective bargaining agreements; and
5. Performance of an internal audit of the reporting system to monitor execution and to provide for future planning.

In the enforcement of this non-discrimination clause, the Owner may use any reasonable procedures available, including, but not limited to: requests, reports, site visits and inspection of relevant documents of contractors and subcontractors.

- C. In the event of the Contractor's or his subcontractor's noncompliance with any provisions of this Article of the Contract, the Owner may cancel this contract in whole or in part or require the Contractor to terminate his contract with the subcontractor.

ARTICLE 1.5 - ANTI-KICKBACK

No employee of the division, shall have or acquire any pecuniary interest, whether direct or indirect, in this contract or in any part hereof. No officer, employee, designer, attorney, or administrator of or for the Owner who is authorized in such capacity and on behalf of the Owner to exercise any legislative, executive, supervisory or other similar functions in connection with the construction of the project, shall have or acquire any pecuniary interest, whether direct or indirect, in this contract, any material supply contract, subcontract, insurance contract, or any other contract pertaining to the project.

ARTICLE 1.6 - PATENTS AND ROYALTIES

- A. The Contractor shall hold and save the Owner and its officers, agents, servants and employees harmless from liabilities of any nature or kind, including cost and expenses, for, or on account of, any patented or unpatented invention, process, article or appliance manufactured or used in the performance of this contract, including its use by the Owner, unless otherwise specifically stipulated in the contract documents.
- B. If the Contractor uses any design, device or materials covered by letters, patent or copyright,

the Contractor shall provide for such use by suitable agreement with the Owner of such patented or copyrighted design, device or material. It is mutually agreed and understood, without exception, that the contract prices shall include all royalties or costs arising from the use of such design, device or materials, in any way involved in the work. The Contractor and/or his sureties shall indemnify and save harmless the Owner of the project from any and all claims for infringement by reason of the use of such patented or copyrighted design, device or materials or any trademark or copyright in connection with work agreed to be performed under this contract and shall indemnify the Owner for any cost, expense or damage it may be obliged to pay by reason of such infringement at any time during the prosecution of the work or after completion of the work.

ARTICLE 1.7 - PREFERENCE FOR AMERICAN AND MISSOURI PRODUCTS AND SERVICES

- A. By virtue of statutory authority a preference will be given to Missouri labor and to products of mines, forests and quarries of the state of Missouri when they are found in marketable quantities in the state, and all such materials shall be of the best quality and suitable character that can be obtained at reasonable market prices, all as provided for in Section 8.280, Missouri Revised Statutes and Cumulative Supplements.
- B. Furthermore, pursuant to Section 34.076 Missouri Revised Statutes and Cumulative Supplements, a preference shall be given to those persons doing business as Missouri firms, corporations, or individuals, or which maintain Missouri offices or places of business, when the quality of performance promised is equal or better and the price quoted is the same or less. In addition, in order for a non-domiciliary bidder to be successful, his bid must be that same percentage lower than a domiciliary Missouri bidder's bid, as would be required for a Missouri bidder to successfully bid in the non-domiciliary state.
- C. In accordance with the Missouri Domestic Products Procurement Act Section 34.350 RSMo and Cumulative Supplements any manufactured goods or commodities used or supplied in the performance of this contract or any subcontract thereto shall be manufactured, assembled or produced in the United States, unless the specified products are not manufactured, assembled or produced in the United States in sufficient quantities to meet the agency's requirements or cannot be manufactured, assembled or produced in the United States within the necessary time in sufficient quantities to meet the contract requirements, or if obtaining the specified products manufactured, assembled or produced in the

United States would increase the cost of this contract for purchase of the product by more than ten percent.

ARTICLE 1.8 - COMMUNICATIONS

- A. All notices, requests, instructions, approvals and claims must be in writing and shall be delivered to the Designer and copied to the Construction Representative for the project except as required by Article 1.12 Disputes and Disagreements, or as otherwise specified by the Owner in writing as stated in Section 012600. Any such notice shall be deemed to have been given as of the time of actual receipt.
- B. The Contractor shall attend on-site progress and coordination meetings, as scheduled by the Construction Representative, no less than once a month.
- C. The Contractor shall ensure that major subcontractors and suppliers shall attend monthly progress meetings as necessary to coordinate the work, and as specifically requested by the Construction Representative.

ARTICLE 1.9 - SEPARATE CONTRACTS AND COOPERATION

- A. The Owner reserves the right to let other contracts in connection with this work. The Contractor shall afford other contractors reasonable opportunity for the introduction and storage of their materials and the execution of their work and shall properly connect and coordinate his work with theirs.
- B. The Contractor shall consult the drawings for all other contractors in connection with this work. Any work conflicting with the above shall be brought to the attention of the Owner's Representative before the work is performed. If the Contractor fails to do this, and constructs any work which interferes with the work of another contractor, the Contractor shall remove any part so conflicting and rebuild same, as directed by the Owner's Representative at no additional cost to the Owner.
- C. Each contractor shall be required to coordinate his work with other contractors so as to afford others reasonable opportunity for execution of their work. No contractor shall delay any other contractor by neglecting to perform contract work at the proper time. If any contractor causes delay to another, they shall be liable directly to that contractor for such delay in addition to any liquidated damages which might be due the Owner.
- D. Should the Contractor or project associated subcontractors refuse to cooperate with the instructions and reasonable requests of other Contractors or other subcontractors in the overall

coordinating of the work, the Owner may take such appropriate action and issue directions, as required, to avoid unnecessary and unwarranted delays.

- E. Each Contractor shall be responsible for damage done to Owner's or other Contractor's property by him/her or workers in his employ through their fault or negligence.
- F. Should a Contractor sustain any damage through any act or omission of any other Contractor having a contract with the Owner, the Contractor so damaged shall have no claim or cause of action against the Owner for such damage, but shall have a claim or cause of action against the other Contractor to recover any and all damages sustained by reason of the acts or omissions of such Contractor. The phrase "acts or omissions" as used in this section shall be defined to include, but not be limited to, any unreasonable delay on the part of any such contractors.

ARTICLE 1.10 - ASSIGNMENT OF CONTRACT

- A. No assignment by Contractor of any amount or any part of this contract or of the funds to be received there under will be recognized unless such assignment has had the written approval of the Director and the surety has been given due notice of such assignment and has furnished written consent thereto. In addition to the usual recitals in assignment contracts, the following language must be set forth: "It is agreed that the funds to be paid to the assignee under this assignment are subject to performance by the Contractor of this contract and to claims or liens for services rendered or materials supplied for the performance of the work called for in said contract in favor of all persons, firms or corporations rendering such services or supplying such materials."

ARTICLE 1.11 - INDEMNIFICATION

- A. Contractor agrees to indemnify and save harmless Owner and its respective commissioners, officers, officials, agents, consultants and employees and Designer, their agents, servants and employees, from and against any and all liability for damage arising from injuries to persons or damage to property occasioned by any acts or omissions of Contractor, any subcontractors, agents, servants or employees, including any and all expense, legal or otherwise, which may be incurred by Owner or Designer, its agents, servants or employees, in defense of any claim, action or suit.
- B. The obligations of the Contractor under this paragraph shall not extend to the liability of the Designer, his agents or employees, arising out of (1) the preparation or approval of maps, drawings, opinions, reports, surveys, contract changes, design or specifications, or (2) giving of or the failure to

give directions or instructions by the Designer, his agents or employees as required by this contract documents provided such giving or failure to give is the primary cause of the injury or damage.

ARTICLE 1.12 - DISPUTES AND DISAGREEMENTS

It is hereby expressly agreed and understood that in case any controversy or difference of opinion arises during construction, best efforts will be given to resolution at the field level. Should those efforts be unsuccessful, the Contractor has the right to appeal in writing, the decision of the Director's Designee to the Director at Room 730 Truman Building, P.O. Box 809, Jefferson City, Missouri 65102. The decision of the Director shall be final and binding on all parties.

ARTICLE 2 -- OWNER/DESIGNER RESPONSIBILITIES

- A. The Owner shall give all orders and directions contemplated under this contract relative to the execution of the work. During progress of work the Owner will be represented at the project site by the Construction Representative and/or Designer, whose responsibilities are to see that this contract is properly fulfilled.
- B. The Owner shall at all times have access to the work whenever it is in preparation or progress. The Contractors shall provide proper facilities for such access and for inspection and supervision.
- C. All materials and workmanship used in the work shall be subject to the inspection of the Designer and Construction Representative, and any work which is deemed defective shall be removed, rebuilt or made good immediately upon notice. The cost of such correction shall be borne by the Contractor. Contractor shall not be entitled to an extension of the contract completion date in order to remedy defective work. All rejected materials shall be immediately removed from the site of the work.
- D. If the Contractor fails to proceed at once with the correction of rejected defective materials or workmanship, the Owner may, by separate contract or otherwise, have the defects remedied or rejected. Materials removed from the site and charge the cost of the same against any monies which may be due the Contractor, without prejudice to any other rights or remedies of the Owner.
- E. Failure or neglect on the part of Owner to observe faulty work, or work done which is not in accordance with the drawings and specifications shall not relieve the Contractor from responsibility

for correcting such work without additional compensation.

- F. The Owner shall have the right to direct the Contractor to uncover any completed work.
 - 1. If the Contractor fails to adequately notify the Construction Representative and/or Designer of an inspection as required by the Contract Documents, the Contractor shall, upon written request, uncover the work. The Contractor shall bear all costs associated with uncovering and again covering the work exposed.
 - 2. If the Contractor is directed to uncover work, which was not otherwise required by the Contract Documents to be inspected, and the work is found to be defective in any respect, no compensation shall be allowed for this work. If, however, such work is found to meet the requirements of this contract, the actual cost of labor and material necessarily involved in the examination and replacement plus 10% shall be allowed the Contractor.
- G. The Designer shall give all orders and directions contemplated under this contract relative to the scope of the work and shall give the initial interpretation of the contract documents.
- H. The Owner may file a written notice to the Contractor to dismiss immediately any subcontractors, project managers, superintendents, foremen, workers, watchmen or other employees whom the Owner may deem incompetent, careless or a hindrance to proper or timely execution of the work. The Contractor shall comply with such notice as promptly as practicable without detriment to the work or its progress.
- I. If in the Owner's judgment it becomes necessary at any time to accelerate work, when ordered by the Owner in writing, the Contractor shall redirect resources to such work items and execute such portions of the work as may be required to complete the work within the current approved contract schedule.

ARTICLE 3 -- CONTRACTOR RESPONSIBILITIES

The Contractor shall register and utilize the Owner's eBuilder digital project management system for submission of documents described in the following sections. This includes but is not limited to submittals as required by designer, payment applications, Request for Information (RFI), construction change orders, Request for Proposals (RFP), Designer Supplemental Instructions (DSI), etc.

ARTICLE 3.1 -- ACCEPTABLE SUBSTITUTIONS

- A. The Contractor may request use of any article, device, product, material, fixture, form or type of construction which in the judgment of the Owner and Designer is equal in all respects to that named. Standard products of manufacturers other than those specified will be accepted when, prior to the ordering or use thereof, it is proven to the satisfaction of the Owner and Designer that they are equal in design, strength, durability, usefulness and convenience for the purpose intended.
- B. Any changes required in the details and dimensions indicated on the drawings for the substitution of products other than those specified shall be properly made at the expense of the Contractor requesting the substitution or change.
- C. The Contractor shall submit a request for such substitutions in writing to the Owner and Designer within twenty (20) working days after the date of the "Notice to Proceed." Thereafter no consideration will be given to alternate forms of accomplishing the work. This Article does not preclude the Owner from exercising the provisions of Article 4 hereof.
- D. Any request for substitution by the Contractor shall be submitted in accordance with SECTION 002113 - INSTRUCTIONS TO BIDDERS.
- E. When a material has been approved, no change in brand or make will be permitted unless:
 - 1. Written verification is received from the manufacturer stating they cannot make delivery on the date previously agreed, or
 - 2. Material delivered fails to comply with contract requirements.

ARTICLE 3.2 -- SUBMITTALS

- A. The Contractor's submittals must be submitted with such promptness as to allow for review and approval so as not to cause delay in the work. The Contractor shall coordinate preparation and processing of submittals with performance of construction activities.

Coordinate each submittal with fabrication, = purchasing, testing, delivery, other submittals, and related activities that require sequential activity.

Submit four (4) copies to the Designer and additional copies as required for the subcontractors and material suppliers. Also provide copies to meet the requirements for maintenance manuals.

- B. All subcontractors' shop drawings and schedules shall be submitted by the Contractor and shall bear evidence that Contractor has received, reviewed, and approved them. Any shop drawings and

schedules submitted without this evidence will be returned to the Contractor for resubmission.

- C. The Contractor shall include with the shop drawing, a letter indicating any and all deviations from the drawings and/or specifications. Failure to notify the Designer of such deviations will be grounds for subsequent rejection of the related work or materials. If, in the opinion of the Designer, the deviations are not acceptable, the Contractor will be required to furnish the item as specified and indicated on the drawings.
- D. The Designer shall check shop drawings and schedules with reasonable promptness and approve them only if they conform to the design concept of the project and comply with the information given in the contract documents. The approval shall not relieve the Contractor from the responsibility to comply with the drawings and specifications, unless the Contractor has called the Designer's attention to the deviation, in writing, at the time of submission and the Designer has knowingly approved thereof. An approval of any such modification will be given only under the following conditions:
 - 1. It is in the best interest of the Owner
 - 2. It does not increase the contract sum and/or completion time
 - 3. It does not deviate from the design intent
 - 4. It is without prejudice to any and all rights under the surety bond.
- E. No extension of time will be granted because of the Contractor's failure to submit shop drawings and schedules in ample time to allow for review, possible resubmission, and approval. Fabrication of work shall not commence until the Contractor has received approval. The Contractor shall furnish prints of approved shop drawings and schedules to all subcontractors whose work is in any way related to the work under this contract. Only prints bearing this approval will be allowed on the site of construction
- F. The Contractor shall maintain a complete file on-site of approved shop drawings available for use by the Construction Representative.

ARTICLE 3.3 – AS-BUILT DRAWINGS

- A. The Contractor shall update a complete set of the construction drawings, shop drawings and schedules of all work monthly by marking changes, and at the completion of their work (prior to submission of request for final payment) note all changes and turn the set over to the Construction Representative. The updates shall show all addenda, all field changes that were made to adapt to field conditions, changes resulting from contract

changes or supplemental instructions, and all locations of structures, buried installations of piping, conduit, and utility services. All buried and concealed items both inside and outside shall be accurately located as to depth and referenced to permanent features such as interior or exterior wall faces and dimensions shall be given in a neat and legible manner in a contrasting colored pencil or ink. If approved by the Designer, an electronic file format may be provided.

ARTICLE 3.4 – GUARANTY AND WARRANTIES

A. General Guaranty

- 1. Neither the final certificate of payment nor any provision in the contract documents nor partial use or occupancy of the premises by the Owner shall constitute an acceptance of work not done in accordance with contract requirements.
- 2. The Contractor or surety shall remedy any defects in the work and pay for any damage to property resulting there from which shall appear within a period of one (1) year from the date of substantial completion unless a longer period is otherwise specified or a differing guaranty period has been established in the substantial completion certificate. The Owner will give notice of observed defects with reasonable promptness.
- 3. In case of default on the part of the Contractor in fulfilling this part of this contract, the Owner may correct the work or repair the damage and the cost and expense incurred in such event shall be paid by or recoverable from the Contractor or surety.
- 4. The work will be free from defects not inherent in the quality required or permitted, and that the Work will conform to the requirements of the Contract Documents. Work not conforming to these requirements, including substitutions not properly approved and authorized, may be considered defective. The Contractor's guaranty excludes remedy for damage or defect caused by abuse, modifications not executed by the Contractor, improper or insufficient maintenance, improper operation, or normal wear and tear under normal usage. If required by the Owner, the Contractor shall furnish satisfactory evidence as to the kind and quality of materials and equipment

B. Extended Warranty

Manufacturer's certificates of warranty shall be obtained for all major equipment. Warranty shall be obtained for at least one year. Where a longer

period is offered at no additional cost or called for in the specific equipment specifications, the longer period shall govern.

ARTICLE 3.5 -- OPERATION AND MAINTENANCE MANUALS

A. Immediately after equipment submittals are approved and no later than ten (10) working days prior to the substantial completion inspection, the Contractor shall provide to the Designer three (3) copies of operating instructions and service manuals, containing the following:

1. Start-up and Shut-down Procedures: Provide a step-by-step write up of all major equipment. When manufacturer's printed start-up, trouble shooting and shut-down procedures are available; they may be incorporated into the operating manual for reference.
2. Operating Instructions: Written operating instructions shall be included for the efficient and safe operation of all equipment.
3. Equipment List: List of all major equipment as installed shall be prepared to include model number, capacities, flow rate, name place data, shop drawings and air and water balance reports.
4. Service Instructions: Provide the following information for all pieces of equipment.
 - a. Recommended spare parts including catalog number and name of local supplier or factory representative.
 - b. Belt sizes, types, and lengths.
 - c. Wiring diagrams.
5. Manufacturer's Certificate of Warranty as described in Article 3.4.
6. Prior to the final payment, furnish to the Designer three (4) copies of parts catalogs for each piece of equipment furnished by him/her on the project with the components identified by number for replacement ordering.

B. Submission of operating instructions shall be done in the following manner.

1. Manuals shall be in quadruplicate, and all materials shall be bound into volumes of standard 8½" x 11" hard binders. Large drawings too bulky to be folded into 8½" x 11" shall be separately bound or folded and in envelopes, cross referenced and indexed with the manuals.
2. The manuals shall identify project name, project number, and include the name and

address of the Contractor, subcontractors and manufacturers who were involved with the activity described in that particular manual.

3. Internally subdivide the binder contents with permanent page dividers, logically organized with tab titles clearly printed under reinforced laminated plastic tabs.
4. Contents: Prepare a Table of Contents for each volume, with each product or system description identified.

ARTICLE 3.6 – OTHER CONTRACTOR RESPONSIBILITIES

- A. The Contractor shall keep on site, during progress of the work, a competent superintendent satisfactory to the Construction Representative. The superintendent shall represent the Contractor and all agreements made by the superintendent shall be binding. The superintendent shall carefully study and compare all drawings, specifications and other instructions and shall promptly notify the Construction Representative and Designer, in writing, any error, inconsistency or omission which may be discovered. The superintendent shall coordinate all work on the project. Any change of the superintendent shall be approved by the Construction Representative.
- B. Contractor shall, at all times, enforce strict discipline and good order among his employees, and shall not employ on the work any unfit person or anyone not skilled in the work assigned to him/her.
- C. The Contractor shall supply sufficient labor, material, plant and equipment and pay when due any laborer, subcontractor or supplier for supplies furnished and otherwise prosecute the work with diligence to prevent work stoppage and insure completion thereof within the time specified.
- D. The Contractor and each of his subcontractors shall submit to the Construction Representative, through the Designer such schedules of quantities and costs, progress schedules, payrolls, reports, estimates, records and other data as the Owner may request concerning work performed or to be performed under this contract.
- E. The Contractor, subcontractors, and material suppliers shall upon written request, give the Owner access to all time cards, material invoices, payrolls, estimates, profit and loss statements, and all other direct or indirect costs related to this work.
- F. The Contractor shall be responsible for laying out all contract work such as layout of architectural, structural, mechanical and electrical work, which shall be coordinated with layouts of subcontractors

for general construction work. The Contractor is also responsible for unloading, uncrating and handling of all materials and equipment to be erected or placed by him/her, whether furnished by Contractor or others. No extra charges or compensation will be allowed as a result of failure to verify dimensions before ordering materials or fabricating items.

- G. The Contractor must notify the Construction Representative at least one working day before placing concrete or burying underground utilities, pipelines, etc.
- H. Contractors shall prearrange time with the Construction Representative for the interruption of any facility operation. Unless otherwise specified in these documents, all connections, alterations or relocations as well as all other portions of the work will be performed during normal working hours.
- I. The Contractor shall coordinate all work so there will not be prolonged interruptions of existing equipment operation. Any existing plumbing, heating, ventilating, air conditioning or electrical disconnections necessary for the project, which affect portions of this construction or building or any other building must be scheduled with the Construction Representative to minimize or avoid any disruption of facility operations. In no case, unless previously approved in writing by the Construction Representative, shall utilities be left disconnected at the end of a work day or over a weekend. Any interruption of utilities either intentionally or accidentally shall not relieve the Contractor responsible for the interruption from the responsibility to repair and restore the utility to normal service. Repairs and restoration shall be made before the workers responsible for the repair and restoration leave the job.
- J. Contractors shall limit operations and storage of materials to the area within the project, except as necessary to connect to existing utilities, and shall not encroach on neighboring property. The Contractor shall be responsible for repair of their damage to property on or off the project site occurring during construction of project. All such repairs shall be made to the satisfaction of the property owner.
- K. Unless otherwise permitted, all materials shall be new and both workmanship and materials shall be of the best quality.
- L. Unless otherwise provided and stipulated within these specifications, the Contractor shall furnish, construct, and/or install and pay for materials, devices, mechanisms, equipment, all necessary personnel, utilities including, but not limited to water, heat, light and electric power, transportation

services, applicable taxes of every nature, and all other facilities necessary for the proper execution and completion of the work.

- M. Contractor shall carefully examine the plans and drawings and shall be responsible for the proper fitting of his material, equipment and apparatus into the building.
- N. The Contractor or subcontractors shall not overload, or permit others to overload, any part of any structure during the performance of this contract.
- O. All temporary shoring, bracing, etc., required for the removal of existing work and/or for the installation of new work shall be included in this contract. The Contractor shall make good, at no cost to the Owner, any damage caused by improper support or failure of shoring in any respect. Each Contractor shall be responsible for shoring required to protect his work or adjacent property and improvements of Owner and shall be responsible for shoring or for giving written notice to adjacent property owners. Shoring shall be removed only after completion of permanent supports.
- P. The Contractor shall provide at the proper time such material as is required for support of the work. If openings are required, whether shown on drawings or not, the Contractor shall see that they are properly constructed.
- Q. During the performance of work the Contractor shall be responsible for providing and maintaining warning signs, lights, signal devices, barricades, guard rails, fences and other devices appropriately located on site which will give proper and understandable warning to all persons of danger of entry onto land, structure or equipment.
- R. The Contractor shall be responsible for protection, including weather protection, and proper maintenance of all equipment and materials.
- S. The Contractor shall be responsible for care of the finished work and shall protect same from damage or defacement until substantial completion by the Owner. If the work is damaged by any cause, the Contractor shall immediately begin to make repairs in accordance with the drawings and specifications. Contractor shall be liable for all damage or loss unless attributable to the acts or omissions of the Owner or Designer. Any claim for reimbursement shall be submitted in accordance with Article 4. After substantial completion the Contractor will only be responsible for damage resulting from acts or omissions of the Contractor or subcontractors through final warranty.
- T. In the event the Contractor encounters an unforeseen hazardous material, the Contractor

shall immediately stop work in the area affected and report the condition to the Owner and Designer in writing. The Contractor shall not be required, pursuant to Article 4, to perform, any work relating to hazardous materials.

- U. In an emergency affecting safety of persons or property, the Contractor shall act, at the Contractor's discretion, to prevent threatened damage, injury or loss. Additional compensation or extension of time claimed by the Contractor on account of an emergency shall be determined as provided in Article 4.
- V. Before commencing work, Contractors shall confer with the Construction Representative and facility representative and review any facility rules and regulations which may affect the conduct of the work.
- W. Project signs will only be erected on major projects and only as described in the specifications. If no sign is specified, none shall be erected.

ARTICLE 3.7 -- SUBCONTRACTS

- A. Subcontractor assignments as identified in the bid form shall not be changed without written approval of the Owner. The Owner will not approve changes of a listed subcontractor unless the Contractor documents, to the satisfaction of the Owner that the subcontractor cannot or will not perform the work as specified.
- B. The Contractor is fully responsible to the Owner for the acts and omissions of all subcontractors and of persons either directly or indirectly employed by them.
- C. Every subcontractor shall be bound by the applicable terms and provisions of these contract documents, but no contractual relationship shall exist between any subcontractor and the Owner unless the right of the Contractor to proceed with the work is suspended or this contract is terminated as herein provided, and the Owner in writing elects to assume the subcontract.
- D. The Contractor shall upon receipt of "Notice to Proceed" and prior to submission of the first payment request, notify the Designer and Construction Representative in writing of the names of any subcontractors to be used in addition to those identified in the bid form and all major material suppliers proposed for all parts of the work.

ARTICLE 4 -- CHANGES IN THE WORK

4.1 CHANGES IN THE WORK

- A. The Construction Representative, without giving notice to the surety and without invalidating this contract, may order extra work or make changes by

altering, adding to or deducting from the work, this contract sum being adjusted accordingly. All such work shall be executed under the conditions of the original contract. A claim for extension of time caused by any change must be adjusted at the time of ordering such change. No future request for time will be considered.

- B. Each Contract Change shall include all costs required to perform the work including all labor, material, equipment, overheads and profit, delay, disruptions, or other miscellaneous expenses. No subsequent requests for additional compensation including claims for delay, disruption, or reduced efficiency as a result of each change will be considered. Values from the Schedule of Values will not be binding as a basis for additions to or deductions from the contract price.
- C. The amount of any adjustment in this contract price for authorized changes shall be agreed upon before such changes become effective and shall be determined, through submission of a request for proposal, as follows:
 - 1. By an acceptable fixed price proposal from the Contractor. Breakdowns shall include all takeoff sheets of each Contractor and subcontractor. Breakdown shall include a listing of each item of material with unit prices and number of hours of labor for each task. Labor costs per hour shall be included with labor burden identified, which shall be not less than the prevailing wage rate, etc. Overhead and profit shall be shown separately for each subcontractor and the Contractor.
 - 2. By a cost-plus-fixed-fee (time and material) basis with maximum price, total cost not to exceed said maximum. Breakdown shall include a listing of each item of material with unit prices and number of hours of labor for each task. Labor costs per hour shall be included with labor burden identified, which shall be not less than the prevailing wage rate, etc. Overhead and profit shall be shown separately for each subcontractor and the Contractor.
 - 3. By unit prices contained in Contractor's original bid form and incorporated in the construction contract.
- D. Overhead and Profit on Contract Changes shall be applied as follows:

- 1. The overhead and profit charge by the Contractor and all subcontractors shall be considered to include, but is not limited to: incidental job burdens, small truck (under 1 ton) expense, mileage, small hand tools,

warranty costs, company benefits and general office overhead. Project supervision including field supervision and job site office expense shall be considered a part of overhead and profit unless a compensable time extension is granted.

2. The percentages for overhead and profit charged on Contract Changes shall be negotiated, and may vary according to the nature, extent, and complexity of the work involved. However, the overhead and profit for the Contractor or subcontractor actually performing the work shall not exceed 14%. When one or more tiers of subcontractors are used, in no event shall any Contractor or subcontractor receive as overhead and profit more than 3% of the cost of the work performed by any of his subcontractors. In no case shall the total overhead and profit paid by the Owner on any Contract Changes exceed twenty percent (20%) of the cost of materials, labor and equipment (exclusive of Contractor or any Subcontractor overhead and profit) necessary to put the contract change work in place.
 3. The Contractor will be allowed to add the cost of bonding and insurance to their cost of work. This bonding and insurance cost shall not exceed 2% and shall be allowed on the total cost of the added work, including overhead and profit.
 4. On proposals covering both increases and decreases in the amount of this contract, the application of overhead and profit shall be on the net change in the cost of the work.
 5. The percentage for overhead and profit to be credited to the Owner on Contract Changes that are solely decreases in the quantity of work or materials shall be negotiated, and may vary according to the nature, extent and complexity of the work involved, but in no case shall be less than ten percent (10%). If the percentage for overhead and profit charged for work added by Contract Changes for this contract has been negotiated to less than 10%, the negotiated rate shall then apply to credits as well.
- E. No claim for an addition to this contract sum shall be valid unless authorized as aforesaid in writing by the Owner. In the event that none of the foregoing methods are agreed upon, the Owner may order the Contractor to perform work on a time and material basis. The cost of such work shall be determined by the Contractor's actual labor and material cost to perform the work plus overhead and profit as outlined herein. The

Designer and Construction Representative shall approve the Contractor's daily time and material invoices for the work involved.

- F. If the Contractor claims that any instructions involve extra cost under this contract, the Contractor shall give the Owner's Representative written notice thereof within a reasonable time after the receipt of such instructions, and in any event before proceeding to execute the work. No such claim shall be valid unless so made and authorized by the Owner, in writing.
- G. In an emergency affecting the safety of life or of the structure or of adjoining property, the Contractor, without special instruction or authorization from the Construction Representative, is hereby permitted to act at their discretion to prevent such threatened loss or injury. The Contractor shall submit a claim for compensation for such emergency work in writing to the Owner's Representative.

ARTICLE 4.2 – CHANGES IN COMPLETION TIME

- A. Extension of the number of work days stipulated in the Contract for completion of the work with compensation may be made when:
 1. The contractor documents that proposed Changes in the work, as provided in Article 4.1, extends construction activities critical to contract completion date, OR
 2. The Owner suspends all work for convenience of the Owner as provided in Article 7.3, OR
 3. An Owner caused delay extends construction activities critical to contract completion (except as provided elsewhere in these General Conditions). The Contractor is to review the work activities yet to begin and evaluate the possibility of rescheduling the work to minimize the overall project delay.
- B. Extension of the number of work days stipulated in the Contract for completion of the work without compensation may be made when:
 1. Weather-related delays occur, subject to provisions for the inclusion of a specified number of "bad weather" days when provided for in Section 012100-Allowances, OR
 2. Labor strikes or acts of God occur, OR
 3. The work of the Contractor is delayed on account of conditions which were beyond the control of the Contractor, subcontractors or suppliers, and were not the result of their fault or negligence.
- C. No time extension or compensation will be provided for delays caused by or within the control

of the Contractor, subcontractors or suppliers and for concurrent delays caused by the Owner.

- D. The Contractor shall notify the Owner promptly of any occurrence or conditions which in the Contractor's opinion results in a need for an extension of time. The notice shall be in writing and shall include all necessary supporting materials with details of any resultant costs and be submitted in time to permit full investigation and evaluation of the Contractor's claim. The Owner shall promptly acknowledge the Contractor's notice and, after recommendation from the Owner's Representative and/or Designer, shall provide a decision to the Contractor. Failure on the part of the Contractor to provide such notice and to detail the costs shall constitute a waiver by the Contractor of any claim. Requests for extensions of time shall be for working days only.

ARTICLE 5 - CONSTRUCTION AND COMPLETION

ARTICLE 5.1 – CONSTRUCTION COMMENCEMENT

- A. Upon receipt of the "Intent to Award" letter, the Contractor must submit the following properly executed instruments to the Owner:
1. Contract;
 2. Performance/payment bond as described in Article 6.1;
 3. Certificates of Insurance, or the actual policies themselves, showing that the Contractor has obtained the insurance coverage required by Article 6.2.
 4. Written Affirmative Action Plans as required in Article 1.4.

Above referenced items must be received by the Owner within ten (10) working days after the effective date of the contract. If not received, the Owner may treat the failure to timely submit them as a refusal by the Contractor to accept a contract for this work and may retain as liquidated damages the Contractor's bid bond, cashier's check or certified check as provided in the Instructions to Bidders. Upon receipt the Owner will issue a "Notice to Proceed" with the work to the Contractor.

- B. Within the time frame noted in Section 013200 - Schedules, following receipt of the "Notice to Proceed", the Contractor shall submit to the Owner a progress schedule and schedule of values, showing activities through the end of the contract period. Should the Contractor not receive written notification from the Owner of the disapproval of the schedule of values within fifteen (15) working

days, the Contractor may consider it approved for purpose of determining when the first monthly Application and Certification for Payment may be submitted.

- C. The Contractor may commence work upon receipt of the Division of Facilities Management, Design and Construction's "Notice to Proceed" letter. Contractor shall prosecute the work with faithfulness and energy, and shall complete the entire work on or before the completion time stated in the contract documents or pay to the Owner the damages resulting from the failure to timely complete the work as set out within Article 5.4.

ARTICLE 5.2 -- PROJECT CONSTRUCTION

- A. Each Contractor shall submit for the Owner's approval, in reproducible form, a progress schedule showing the rate of progress and the order of the work proposed to carry on various phases of the project. The schedule shall be in conformance with the requirements outlined in Section 013200 – Schedules.
- B. Contractor shall employ and supply a sufficient force of workers, material, and equipment and shall pay when due, any worker, subcontractor or supplier and otherwise prosecute the work with such diligence so as to maintain the rate of progress indicated on the progress schedule, prevent work stoppage, and insure completion of the project within the time specified.

ARTICLE 5.3 -- PROJECT COMPLETION

- A. Substantial Completion. A Project is substantially complete when construction is essentially complete and work items remaining to be completed can be done without interfering with the Owner's ability to use the Project for its intended purpose.
1. Once the Contractor has reached what they believe is Substantial Completion, the Contractor shall notify the Designer and the Construction Representative of the following:
 - a. That work is essentially complete with the exception of certain listed work items. The list shall be referred to as the "Contractor's Punch."
 - b. That all Operation and Maintenance Manuals have been assembled and submitted in accordance with Article 3.5A.
 - c. That the Work is ready for inspection by the Designer and Construction Representative. The Owner shall be entitled to a minimum of ten working

days notice before the inspection shall be performed.

2. If the work is acceptable, the Owner shall issue a Certificate of Substantial Completion, which shall set forth the responsibilities of the Owner and the Contractor for utilities, security, maintenance, damage to the work and risk of loss. The Certificate shall also identify those remaining items of work to be performed by the Contractor. All such work items shall be complete within 30 working days of the date of the Certificate, unless the Certificate specifies a different time. If the Contractor shall be required to perform tests that must be delayed due to climatic conditions, it is understood that such tests and affected equipment will be identified on the Certificate and shall be accomplished by the Contractor at the earliest possible date. Performance of the tests may not be required before Substantial Completion can be issued. The date of the issuance of the Certificate of Substantial Completion shall determine whether or not the work was completed within the contract time and whether or not Liquidated Damages are due.
 3. If the work is not acceptable, and the Owner does not issue a Certificate of Substantial Completion, the Owner shall be entitled to charge the Contractor with the Designer's and Owner's costs of re-inspection, including time and travel.
- B. Partial Occupancy. Contractor agrees that the Owner shall be permitted to occupy and use any completed or partially completed portions of the Project, when such occupancy and use is in the Owner's best interest. Owner shall notify Contractor of its desire and intention to take Partial Occupancy as soon as possible but at least ten (10) working days before the Owner intends to occupy. If the Contractor believes that the portion of the work the Owner intends to occupy is not ready for occupancy, the Contractor shall notify the Owner immediately. The Designer shall inspect the work in accordance with the procedures above. If the Contractor claims increased cost of the project or delay in completion as a result of the occupancy, he shall notify the Owner immediately but in all cases before occupancy occurs.
- C. Final Completion. The Project is finally complete when the Certificate of Substantial Completion has been issued and all work items identified therein as incomplete have been completed, and when all administrative items required by the contract have been completed. Final Completion entitles the Contractor to payment of the outstanding balance of the contract amount including all change orders

and retainage. Within five (5) working days of the date of the Certificate of Substantial Completion, the Contractor shall identify the cost to complete any outstanding items of work. The Designer shall review the Contractor's estimate and either approve it or provide an independent estimate for all such items. If the Contractor fails to complete the remaining items within the time specified in the Certificate, the Owner may terminate the contract and go to the surety for project completion in accordance with Article 7.2 or release the contract balance to the Contractor less 150% of the approved estimate to complete the outstanding items. Upon completion of the outstanding items, when a final cost has been established, any monies remaining shall be paid to the Contractor. Failure to complete items of work does not relieve the Contractor from the obligation to complete the administrative requirements of the contract, such as the provisions of Article 5.3 FAILURE TO COMPLETE ALL ITEMS OF WORK UNDER THE CONTRACT SHALL BE CONSIDERED A DEFAULT AND BE GROUNDS FOR CONTRACT TERMINATION AND DEBARMENT.

- D. Liquidated Damages. Contractor agrees that the Owner may deduct from the contract price and retain as liquidated damages, and not as penalty or forfeiture, the sum stipulated in this contract for each work day after the Contract Completion Day on which work is not Substantially Complete. Assessment of Liquidated Damages shall not relieve the Contractor or the surety of any responsibility or obligation under the Contract. In addition, the Owner may, without prejudice to any other rights, claims, or remedies the Owner may have including the right to Liquidated Damages, charge the Contractor for all additional expenses incurred by the Owner and/or Designer as the result of the extended contract period through Final Completion. Additional Expenses shall include but not be limited to the costs of additional inspections.
- E. Early Completion. The Contractor has the right to finish the work before the contract completion date; however, the Owner assumes no liability for any hindrances to the Contractor unless Owner caused delays result in a time extension to the contract completion date. The Contractor shall not be entitled to any claims for lost efficiencies or for delay if a Certificate of Substantial Completion is given on or before the Contract Completion Date.

ARTICLE 5.4 -- PAYMENT TO CONTRACTOR

- A. Payments on account of this contract will be made monthly in proportion to the work which has been completed. Request for payment must be submitted on the Owner's forms. No other pay request will

be processed. Supporting breakdowns must be in the same format as Owner's forms and must provide the same level of detail. The Designer will, within 5 working days from receipt of the contractor's request for payment either issue a Certificate for Payment to the Owner, for such amount as the Designer determines is properly due, or notify the Contractor in writing of reasons for withholding a Certificate. The Owner shall make payment within 30 calendar days after the "Application and Certification for Payment" has been received and certified by the Designer. The following items are to be attached to the contractor's pay request:

1. Updated construction schedule
 2. Certified payrolls consisting of name, occupation and craft, number of hours worked and actual wages paid for each individual employee, of the Contractor and all subcontractors working on the project
- B. The Owner shall retain 5 percent of the amount of each such payment application, except as allowed by Article 5.4, until final completion and acceptance of all work covered by this contract.
- C. Each payment made to Contractor shall be on account of the total amount payable to Contractor and all material and work covered by paid partial payment shall thereupon become the sole property of Owner. This provision shall not be construed as relieving Contractor from sole responsibility for care and protection of materials and work upon which payments have been made or restoration of any damaged work or as a waiver of the right of Owner to require fulfillment of all terms of this contract.
- D. Materials delivered to the work site and not incorporated in the work will be allowed in the Application and Certification for Payment on the basis of one hundred (100%) percent of value, subject to the 5% retainage providing that they are suitably stored on the site or in an approved warehouse in accordance with the following requirements:
1. Material has previously been approved through submittal and acceptance of shop drawings conforming to requirements of Article 3.2 of General Conditions.
 2. Delivery is made in accordance with the time frame on the approved schedule.
 3. Materials, equipment, etc., are properly stored and protected from damage and deterioration and remain so - if not, previously approved amounts will be deleted from subsequent pay applications.

4. The payment request is accompanied by a breakdown identifying the material equipment, etc. in sufficient detail to establish quantity and value.
- E. The Contractor shall be allowed to include in the Application and Certification for Payment, one hundred (100%) of the value, subject to retainage, of major equipment and material stored off the site if all of the following conditions are met:
1. The request for consideration of payment for materials stored off site is made at least 15 working days prior to submittal of the Application for Payment including such material. Only materials inspected will be considered for inclusion on Application for Payment requests.
 2. Materials stored in one location off site are valued in excess of \$25,000.
 3. That a Certificate of Insurance is provided indicating adequate protection from loss, theft conversion or damage for materials stored off site. This Certificate shall show the State of Missouri as an additional insured for this loss.
 4. The materials are stored in a facility approved and inspected, by the Construction Representative.
 5. Contractor shall be responsible for, Owner costs to inspect out of state facilities, and any delays in the completion of the work caused by damage to the material or for any other failure of the Contractor to have access to this material for the execution of the work.
- F. The Owner shall determine the amount, quality and acceptability of the work and materials which are to be paid for under this contract. In the event any questions shall arise between the parties, relative to this contract or specifications, determination or decision of the Owner or the Construction Representative and the Designer shall be a condition precedent to the right of the Contractor to receive any money or payment for work under this contract affected in any manner or to any extent by such question.
- G. Payments Withheld: The Owner may withhold or nullify in whole or part any certificate to such extent as may be necessary to protect the Owner from loss on account of:
1. Defective work not remedied. When a notice of noncompliance is issued on an item or items, corrective action shall be undertaken immediately. Until corrective action is completed, no monies will be paid and no additional time will be allowed for the item or

items. The cost of corrective action(s) shall be borne by the Contractor.

2. A reasonable doubt that this contract can be completed for the unpaid balance.
3. Failure of the Contractor to update as-built drawings monthly for review by the Construction Representative.
4. Failure of the Contractor to update the construction schedule.

When the Construction Representative is satisfied the Contractor has remedied above deficiencies, payment shall be released.

H. Final Payment: Upon receipt of written notice from the Contractor to the Designer and Project Representative that the work is ready for final inspection and acceptance, the Designer and Project Representative, with the Contractor, shall promptly make such inspection. If the work is acceptable and the contract fully performed, the Construction Representative shall complete a final acceptance report and the Contractor will be directed to submit a final Application and Certification for Payment. If the Owner approves the same, the entire balance shall be due and payable, with the exception of deductions as provided for under Article 5.4.

1. Where the specifications provide for the performance by the Contractor of (certain tests for the purpose of balancing and checking the air conditioning and heating equipment and the Contractor shall have furnished and installed all such equipment in accordance with the specifications, but said test cannot then be made because of climatic conditions, such test shall may be considered as required under the provisions of the specifications, Section 013300 and this contract may be substantial Full payment will not be made until the tests have been made and the equipment and system is finally accepted. If the tests are not completed when scheduled, the Owner may deduct 150% of the value of the tests from the final payment.
2. The final payment shall not become due until the Contractor delivers to the Construction Representative:
 - a) A complete file of releases, on the standard form included in the contract documents as "Final Receipt of Payment and Release Form", from subcontractors and material suppliers evidencing payment in full for services, equipment and materials, as the case may require, if the Owner approves, or a consent from

the Surety to final payment accepting liability for any unpaid amounts.

- b) An Affidavit of Compliance with Prevailing Wage Law, in the form as included in this contract specifications, properly executed by each subcontractor, and the Contractor
 - c) Certified copies of all payrolls
 - d) As-built drawings
3. If any claim remains unsatisfied after all payments are made, the Contractor shall refund to the Owner all monies that the latter may be compelled to pay in discharging such a claim including all costs and a reasonable attorney's fee.
 4. Missouri statute requires prompt payment from the Owner to the Contractor within thirty calendar days and from the Contractor to his subcontractors within fifteen calendar days. Failure to make payments within the required time frame entitles the receiving party to charge interest at the rate of one and one half percent per month calculated from the expiration of the statutory time period until paid.
 5. The value of all unused unit price allowances and/or 150% of the value of the outstanding work items, and/or liquidated damages may be deducted from the final pay request without executing a Contract Change. Any unit price items which exceed the number of units in the contract may be added by Contract Change.

ARTICLE 6 -- INSURANCE AND BONDS

ARTICLE 6.1 -- BOND

- A. Contractor shall furnish a performance/payment bond in an amount equal to 100% of the contract price to guarantee faithful performance of the contract and 100% of the contract price to guarantee the payment of all persons performing labor on the project and furnishing materials in connection therewith under this contract as set forth in the standard form of performance and payment bond included in the contract documents. The surety on such bond shall be issued by a surety company authorized by the Missouri Department of Insurance to do business in the state of Missouri.
- B. All Performance/Payment Bonds furnished in response to this provision shall be provided by a bonding company with a rating of B+ or higher as established by A.M. Best Company, Inc. in their most recent publication.

ARTICLE 6.2 – INSURANCE

A. The successful Contractor shall procure and maintain for the duration of the contract issued a policy or policies of insurance for the protection of both the Contractor and the Owner and their respective officers, officials, agents, consultants and employees. The Owner requires certification of insurance coverage from the Contractor prior to commencing work.

B. Minimum Scope and Extent of Coverage

1. General Liability

Commercial General Liability, ISO coverage form number or equivalent CG 00 01 ("occurrence" basis), or I-SO coverage form number CG 00 02, or ISO equivalent.

If ISO equivalent or manuscript general liability coverage forms are used, minimum coverage will be as follows: Premises/Operations; Independent Contractors; Products/Completed Operations; personal Injury; Broad Form Property Damage including Completed Operations; Broad Form Contractual Liability Coverage to include Contractor's obligations under Article 1.11 Indemnification and any other Special Hazards required by the work of the contract.

2. Automobile Liability

Business Automobile Liability Insurance, ISO Coverage form number or equivalent CA 00 01 covering automobile liability, code 1 "ANY AUTO".

3. Workers' Compensation and Employer's Liability

Statutory Workers' Compensation Insurance for Missouri and standard Employer's Liability Insurance, or the authorization to self-insure for such liability from the Missouri Division of Workers' Compensation.

4. Builder's Risk or Installation Floater Insurance

Insurance upon the work and all materials, equipment, supplies, temporary structures and similar items which may be incident to the performance of the work and located at or adjacent to the site, against loss or damage from fire and such other casualties as are included in extended coverage in broad "All Risk" form, including coverage for Flood and Earthquake, in an amount not less than the replacement cost of the work or this contract price, whichever is greater, with loss payable to Contractor and Owner as their respective interests may appear.

Contractor shall maintain sufficient insurance to cover the full value of the work and materials as the work progresses, and shall furnish Owner copies of all endorsements. If Builder's Risk Reporting- Form of Endorsement is used, Contractor shall make all reports as required therein so as to keep in force an amount of insurance which will equal the replacement cost of the work, materials, equipment, supplies, temporary structures, and other property covered thereby; and if, as a result of Contractor's failure to make any such report, the amount of insurance so recoverable shall be less than such replacement cost, Contractor's interest in the proceeds of such insurance, if any, shall be subordinated to Owner's interest to the end that Owner may receive full reimbursement for its loss.

C. Minimum Limits of Insurance

1. General Liability

Contractor	
\$2,000,000	combined single limit per occurrence for bodily injury, personal injury, and property damage
\$2,000,000	annual aggregate

2. Automobile Liability

\$2,000,000	combined single limit per occurrence for bodily injury and property damage
-------------	----------------------------------------------------------------------------

3. Workers' Compensation and Employers Liability

Workers' Compensation limits as required by applicable State Statutes (generally unlimited) and minimum of \$1,000,000 limit per accident for Employer's Liability.

General Liability and Automobile Liability insurance may be arranged under individual policies for the full limits required or by a combination of underlying policies with the balance provided by a form-following Excess or Umbrella Liability policy.

D. Deductibles and Self-Insured Retentions

All deductibles, co-payment clauses, and self-insured retentions must be declared to and approved by the Owner. The Owner reserves the right to request the reduction or elimination of unacceptable deductibles or self-insured retentions, as they would apply to the Owner, and their respective officers, officials, agents, consultants and employees. Alternatively, the Owner may request Contractor to procure a bond guaranteeing

payment of losses and related investigations, claims administration, and defense expenses.

E. Other Insurance Provisions and Requirements

The respective insurance policies and coverage, as specified below, must contain, or be endorsed to contain the following conditions or provisions:

1. General Liability

The Owner, and its respective commissioners, officers, officials, agents, consultants and employees shall be endorsed as additional insured's by ISO form CG 20 26 Additional Insured - Designated Person or Organization. As additional insured's, they shall be covered as to work performed by or on behalf of the Contractor or as to liability which arises out of Contractor's activities or resulting from the performance of services or the delivery of goods called for by the Contract.

Contractor's insurance coverage shall be primary with respect to all additional insured's. Insurance of self-insurance programs maintained by the designated additional -insured's shall be excess of the Contractor's insurance and shall not contribute with it.

Additionally, the Contractor and Contractor's general liability insurer shall agree to waive all rights of subrogation against the Owner and any of their respective officers, officials, agents, consultants or employees for claims, losses, or expenses which arise out of Contractor's activities or result from the performance of services or the delivery of goods called for by the Contract.

Contractor's failure to comply with the terms and conditions of these insurance policies shall not affect or abridge coverage for the Owner, or for any of their officers, officials, agents, consultants or employees.

2. Automobile Insurance

The Owner, and their respective officers, officials, agents, consultants and employees shall be endorsed as additional insured's by ISO form CG 20 26 - Additional Insured Designated Person or Organization. As additional insured's, they shall be covered as to work performed by or on behalf of the Contractor or as to liability which arises out of Contractor's activities or resulting from the performance of services or the delivery of goods called for by the Contract.

Contractor's insurance coverage shall be primary with respect to all additional insured's. Insurance or self-insurance

programs maintained by the designated additional insured's shall be in excess of the Contractor's insurance and shall not contribute with it.

Additionally, the Contractor and Contractor's automobile insurer shall agree to waive all rights of subrogation against the Owner and any of their respective officers, officials, agents, consultants or employees for claims, losses, or expenses which arise out of Contractor's activities or result from the performance of services or the delivery of goods called for by the Contract.

Contractor's failure to comply with the terms and conditions of these insurance policies shall not affect or abridge coverage for the Owner or for any of its officers, officials, agents, consultants or employees.

3. Workers' Compensation/Employer's Liability

Contractor's workers' compensation insurance shall be endorsed with NCCI form WC 00 03 01 A - Alternative Employer Endorsement. The Alternative Employer Endorsement shall designate the Owner as "alternate employers."

4. All Coverages

Each insurance policy required by this section of the Contract shall contain a stipulation, endorsed if necessary, that the Owner will receive a minimum of a thirty (30) calendar day advance notice of any policy cancellation. Ten (10) calendar days advance notice is required for policy cancellation due to non-payment of premium.

F. Insurer Qualifications and Acceptability

Insurance required hereunder shall be issued by an A.M. Best, "B+" rated, Class IX insurance company approved to conduct insurance business in the state of Missouri.

G. Verification of Insurance Coverage

Prior to Owner issuing a Notice to Proceed, the Contractor shall furnish the Owner with Certificate(s) of Insurance and with any applicable original endorsements evidencing the required insurance coverage. The insurance certificates and endorsements are to be signed by a person authorized by that insurer to bind coverage on its behalf. All certificates and endorsements received by the Owner are subject to review and approval by the Owner. The Owner reserves the right to require certified copies of all required policies at any time. If the scope of this contract will exceed one (1) year - or, if any of Contractor's applicable insurance coverage expires prior to completion of the work or services required under this contract -

the Contractor will provide a renewal or replacement certificate before continuing work or services hereunder. If the Contractor fails to provide documentation of required insurance coverage, the Owner may issue a stop work order and no additional contract completion time and/or compensation shall be granted as a result thereof.

ARTICLE 7 – SUSPENSION OR TERMINATION OF CONTRACT

ARTICLE 7.1 - FOR SITE CONDITIONS

When conditions at the site of the proposed work are considered by the Owner to be unsatisfactory for prosecution of the work, the Contractor may be ordered in writing to suspend the work or any part thereof until reasonable conditions exist. When such suspension is not due to fault or negligence of the Contractor, time allowed for completion of such suspended work will be extended by a period of time equal to that lost due to delay occasioned by ordered suspension. This will be a no cost time extension.

ARTICLE 7.2 - FOR CAUSE

A. Termination or Suspension for Cause:

1. If the Contractor shall file for bankruptcy, or should make a general assignment for the benefit of the creditors, or if a receiver should be appointed on account of insolvency, or if the contractor should persistently or repeatedly refuse or fail to supply enough properly skilled workers or proper materials, or if the contractor should fail to make prompt payment to subcontractors or for material or labor, or persistently disregard laws, ordinances or the instructions of the Owner, or otherwise be guilty of a substantial violation of any provision of this contract, then the Owner may serve notice on the Contractor and the surety setting forth the violations and demanding compliance with this contract. Unless within ten (10) consecutive calendar days after serving such notice, such violations shall cease and satisfactory arrangements for correction be made, the Owner may suspend the Contractor's right to proceed with the work or terminate this contract.
2. In the event the Owner suspends Contractor's right to proceed with the work or terminates the contract, the Owner may demand that the Contractor's surety take over and complete the work on this contract, after the surety submits a written proposal to the Owner and receives written approval and upon the surety's failure or refusal to do so within ten (10) consecutive

calendar days after demand therefore, the Owner may take over the work and prosecute the same to completion by bid or negotiated contract, or the Owner may elect to take possession of and utilize in completing the work such materials, supplies, appliances and plant as may be on the site of the work, and all subcontractors, if the Owner elects, shall be bound to perform their contracts.

- B. The Contractor and its surety shall be and remain liable to the Owner for any excess cost or damages occasioned to the Owner as a result of the actions above set forth.
- C. The Contractor in the event of such suspension or termination shall not be entitled to receive any further payments under this contract until the work is wholly finished. Then if the unpaid balance under this contract shall exceed all expenses of the Owner as certified by the Director, such excess shall be paid to the Contractor; but, if such expenses shall exceed the unpaid balance as certified by the Director, the Contractor and their surety shall be liable for and shall pay the difference and any damages to the Owner.
- D. In exercising Owner's right to secure completion of the work under any of the provisions hereof, the Director shall have the right to exercise Owner's sole discretion as to the manner, methods and reasonableness of costs of completing the work.
- E. The rights of the Owner to suspend or terminate as herein provided shall be cumulative and not exclusive and shall be in addition to any other remedy provided by law.
- F. The Contractor in the event of such suspension or termination may be declared ineligible for Owner contracts for a minimal period of twelve (12) months. Further, no contract will be awarded to any Contractor who lists in their bid form any subcontractor whose prior performance has contributed, as determined by the Owner, to a breach of a contract. In order to be considered for state-awarded contracts after this period, the Contractor/subcontractor will be required to forward acceptance reports to the Owner regarding successful completion of non-state projects during the intervening twelve (12) months from the date of default. No contracts will be awarded to a subcontractor/Contractor until the ability to perform responsibly in the private sector has been proven to the Owner.

ARTICLE 7.3 -- FOR CONVENIENCE

- A. The Owner may terminate or suspend the Contract or any portion of the Work without cause at any time, and at the Owner's convenience. Notification of a termination or suspension shall be in writing

and shall be given to the Contractor and their surety. If the Contract is suspended, the notice will contain the anticipated duration of the suspension or the conditions under which work will be permitted to resume. If appropriate, the Contractor will be requested to demobilize and re-mobilize and will be reimbursed time and costs associated with the suspension.

B. Upon receipt of notification, the Contractor shall:

1. Cease operations when directed.
2. Take actions to protect the work and any stored materials.
3. Place no further subcontracts or orders for material, supplies, services or facilities except as may be necessary to complete the portion of the Contract that has not been terminated. No claim for payment of materials or supplies ordered after the termination date shall be considered.
4. Terminate all existing subcontracts, rentals, material, and equipment orders.

5. Settle all outstanding liabilities arising from termination with subcontractors and suppliers.

6. Transfer title and deliver to the Owner, work in progress, completed work, supplies and other material produced or acquire for the work terminated, and completed or partially completed plans, drawings information and other property that, if the Contract had been completed, would be required to be furnished to the Owner.

C. For termination without cause and at the Owner's convenience, in addition to payment for work completed prior to date of termination, the Contractor may be entitled to payment of other documented costs directly associated with the early termination of the contract. Payment for anticipated profit and unapplied overhead will not be allowed.

SECTION 007300 - SUPPLEMENTARY CONDITIONS

1.0 GENERAL:

A. These Supplementary General Conditions clarify, add, delete, or otherwise modify standard terms and conditions of DIVISION 0, BIDDING AND CONTRACTING REQUIREMENTS.

2.0 CONTACTS:

Designer: Larry Block
Office of Administration, Division of Facilities Management,
Design & Construction
301 W High St, Room 780
Jefferson City, MO 65102
Telephone: 573-526-6270
Email: larry.block@oa.mo.gov

Construction Representative: Ricky Howard
Division of Facilities Management, Design and Construction
836 North Scott
Belton, MO 64012
Telephone: 816-728-0385
Email: ricky.howard@oa.mo.gov

Project Manager: Sandra Walther
Division of Facilities Management, Design and Construction
301 West High Street, Room 730
Jefferson City, Missouri 65101
Telephone: 573-751-2283
Email: sandra.walther@oa.mo.gov

Contract Specialist: Mandy Roberson
Division of Facilities Management, Design and Construction
301 West High Street, Room 730
Jefferson City, Missouri 65101
Telephone: 573-522-0074
Email: mandy.roberson@oa.mo.gov

3.0 NOTICE: ALL BID MATERIALS ARE DUE AT THE TIME OF BID SUBMITTAL. THERE IS NO SECOND SUBMITTAL FOR THIS PROJECT.

4.0 FURNISHING CONSTRUCTION DOCUMENTS:

- A. The Owner will furnish the Contractor with approximately 5 complete sets of drawings and specifications at no charge.
- B. The Owner will furnish the Contractor with approximately 5 sets of explanatory or change drawings at no charge.
- C. The Contractor may make copies of the documents as needed with no additional cost to the Owner.

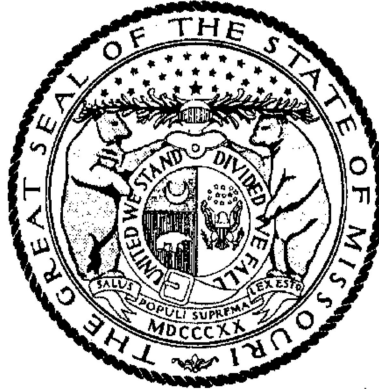
5.0 SAFETY REQUIREMENTS

Contractor and subcontractors at any tier shall comply with RSMo 292.675 and Article 1.3, E, of Section 007213, General Conditions.

Missouri

Division of Labor Standards

WAGE AND HOUR SECTION



MICHAEL L. PARSON, Governor

Annual Wage Order No. 30

Section 048
JACKSON COUNTY

In accordance with Section 290.262 RSMo 2000, within thirty (30) days after a certified copy of this Annual Wage Order has been filed with the Secretary of State as indicated below, any person who may be affected by this Annual Wage Order may object by filing an objection in triplicate with the Labor and Industrial Relations Commission, P.O. Box 599, Jefferson City, MO 65102-0599. Such objections must set forth in writing the specific grounds of objection. Each objection shall certify that a copy has been furnished to the Division of Labor Standards, P.O. Box 449, Jefferson City, MO 65102-0449 pursuant to 8 CSR 20-5.010(1). A certified copy of the Annual Wage Order has been filed with the Secretary of State of Missouri.

Original Signed by _____

Todd Smith, Director
Division of Labor Standards

Filed With Secretary of State: _____ **March 10, 2023**

Last Date Objections May Be Filed: **April 10, 2023**

Prepared by Missouri Department of Labor and Industrial Relations

OCCUPATIONAL TITLE	**Prevailing Hourly Rate
Asbestos Worker	\$68.67
Boilermaker	\$38.37*
Bricklayer	\$60.27
Carpenter	\$61.82
Lather	
Linoleum Layer	
Millwright	
Pile Driver	
Cement Mason	\$55.22
Plasterer	
Communications Technician	\$60.34
Electrician (Inside Wireman)	\$69.22
Electrician Outside Lineman	\$59.91
Lineman Operator	
Lineman - Tree Trimmer	
Groundman	
Groundman - Tree Trimmer	
Elevator Constructor	\$102.69
Glazier	\$58.17
Ironworker	\$68.53
Laborer	\$49.56
General Laborer	
First Semi-Skilled	
Second Semi-Skilled	
Mason	\$54.80
Marble Mason	
Marble Finisher	
Terrazzo Worker	
Terrazzo Finisher	
Tile Setter	
Tile Finisher	
Operating Engineer	\$61.54
Group I	
Group II	
Group III	
Group III-A	
Group IV	
Group V	
Painter	\$50.40
Plumber	\$76.04
Pipe Fitter	
Roofer	\$59.33
Sheet Metal Worker	\$72.78
Sprinkler Fitter	\$75.09
Truck Driver	\$52.39
Truck Control Service Driver	
Group I	
Group II	
Group III	
Group IV	

*The Division of Labor Standards received fewer than 1,000 reportable hours for this occupational title. The public works contracting minimum wage is established for this occupational title using data provided by Missouri Economic Research and Information Center.

**The Prevailing Hourly Rate includes any applicable fringe benefit amounts for each occupational title as defined in RSMO Section 290.210.

Heavy Construction Rates for
JACKSON County

Section 048

OCCUPATIONAL TITLE	**Prevailing Hourly Rate
Carpenter	\$61.98
Millwright	
Pile Driver	
Electrician (Outside Lineman)	\$87.19
Lineman Operator	
Lineman - Tree Trimmer	
Groundman	
Groundman - Tree Trimmer	
Laborer	\$50.25
General Laborer	
Skilled Laborer	
Operating Engineer	\$58.85
Group I	
Group II	
Group III	
Group IV	
Truck Driver	\$50.18
Truck Control Service Driver	
Group I	
Group II	
Group III	
Group IV	

Use Heavy Construction Rates on Highway and Heavy construction in accordance with the classifications of construction work established in 8 CSR 30-3.040(3).

Use Building Construction Rates on Building construction in accordance with the classifications of construction work established in 8 CSR 30-3.040(2).

If a worker is performing work on a heavy construction project within an occupational title that is not listed on the Heavy Construction Rate Sheet, use the rate for that occupational title as shown on the Building Construction Rate Sheet.

*The Division of Labor Standards received fewer than 1,000 reportable hours for this occupational title. Public works contracting minimum wage is established for this occupational title using data provided by Missouri Economic Research and Information Center.

**The Prevailing Hourly Rate includes any applicable fringe benefit amounts for each occupational title.

OVERTIME and HOLIDAYS

OVERTIME

For all work performed on a Sunday or a holiday, not less than twice (2x) the prevailing hourly rate of wages for work of a similar character in the locality in which the work is performed or the public works contracting minimum wage, whichever is applicable, shall be paid to all workers employed by or on behalf of any public body engaged in the construction of public works, exclusive of maintenance work.

For all overtime work performed, not less than one and one-half (1½) the prevailing hourly rate of wages for work of a similar character in the locality in which the work is performed or the public works contracting minimum wage, whichever is applicable, shall be paid to all workers employed by or on behalf of any public body engaged in the construction of public works, exclusive of maintenance work or contractual obligation. For purposes of this subdivision, "**overtime work**" shall include work that exceeds ten hours in one day and work in excess of forty hours in one calendar week; and

A thirty-minute lunch period on each calendar day shall be allowed for each worker on a public works project, provided that such time shall not be considered as time worked.

HOLIDAYS

January first;
The last Monday in May;
July fourth;
The first Monday in September;
November eleventh;
The fourth Thursday in November; and
December twenty-fifth;

If any holiday falls on a Sunday, the following Monday shall be considered a holiday.

SECTION 011000 – SUMMARY OF WORK

PART 1 - GENERAL

1.1 WORK COVERED BY CONTRACT DOCUMENTS

- A. The Project consists of **reroofing of the existing structure**.
 - 1. Project Location: 1410 Genessee, Kansas City, MO 64102.
 - 2. Owner: State of Missouri, Office of Administration, Division of Facilities Management, Design and Construction, Harry S Truman State Office Building, Post Office Box 809, 301 West High Street, Jefferson City, Missouri 65102.
- B. Contract Documents, dated **August 16, 2023** were prepared for the Project by **OA-FMDC, Project Design Unit**.
- C. Most of the project is installing a fleece-back TPO membrane over the low-slope built-up roofing system. This project also includes minor repairs to the sloped corrugated metal roofing.
- D. The Work will be constructed under a single prime contract.

1.2 CONTRACTOR USE OF PREMISES

- A. Use of the Site: Limit use of the premises to work in areas indicated. Do not disturb portions of the site beyond the areas in which the Work is indicated.
 - 1. Owner Occupancy: Allow for Owner occupancy and use by the public.
 - 2. Driveways and Entrances: Keep driveways and entrances serving the premises clear and available to the Owner, the Owner's employees, and emergency vehicles at all times. Do not use these areas for parking or storage of materials. Schedule deliveries to minimize space and time requirements for storage of materials and equipment on-site.
- B. Use of the Existing Building: Maintain the existing building in a weathertight condition throughout the construction period. Repair damage cause by construction operations. Take all precautions necessary to protect the building and its occupants during the construction period.

1.3 OCCUPANCY REQUIREMENTS

- A. The Owner will vacate the site and existing building during the entire construction period. Cooperate with the Owner during construction operations to minimize conflicts and facilitate owner usage.

PART 2 - PRODUCTS (Not Applicable)

PART 3 - EXECUTION

3.1 (Not Applicable)

END OF SECTION 011000

SECTION 012100 – ALLOWANCES

PART 1 - GENERAL

1.1 SUMMARY

- A. Types of allowances include the following:
 - 1. Weather allowances.

1.2 WEATHER ALLOWANCE

- A. Included within the completion period for this project are a specified number of “bad weather” days (see Schedule of Allowances).
- B. The Contractor’s progress schedule shall clearly indicate the bad weather day allowance as an “activity” or “activities”. In the event weather conditions preclude performance of critical work activities for 50% or more of the Contractor’s scheduled workday, that day shall be declared unavailable for work due to weather (a “bad weather” day) and charged against the above allowance. Critical work activities will be determined by review of the Contractor’s current progress schedule.
- C. The Contractor’s Representative and the Construction Representative shall agree monthly on the number of “bad weather” days to be charged against the allowance. This determination will be documented in writing and be signed by the Contractor and the Construction Representatives. If there is a failure to agree on all or part of the “bad weather” days for a particular month, that disagreement shall be noted on this written document and signed by each party’s representative. Failure of the Contractor’s representative to sign the “bad weather” day documentation after it is presented, with or without the notes of disagreement, shall constitute agreement with the “bad weather” day determination contained in that document.
- D. There will be no modification to the time of contract performance due solely to the failure to deplete the “bad weather” day allowance.
- E. Once this allowance is depleted, a no cost Change Order time extension will be executed for “bad weather” days, as defined above, encountered during the remainder of the Project.

1.3 FACILITY INTERRUPTION ALLOWANCE

- A. Included within the completion period for this project are facility interruption days (see Schedule of Allowances).
- B. The Contractor's schedule shall clearly indicate the facility interruption day allowance as an "activity" or "activities". In the event facility interruptions preclude performance of critical work activities for 50% or more of the Contractor's scheduled workday, that day shall be declared unavailable for work due to facility interruption and charged against the above allowance. Critical work activities will be determined by review of the Contractor's current progress schedule.
- C. The Contractor's Representative and the Construction Representative shall agree monthly on the number of "facility interruption" days to be charged against the allowance. This determination will be documented in writing and be signed by the Contractor and the Construction Representatives. If there is a failure to agree on all or part of the "facility interruption" days for a particular month, that disagreement shall be noted on this written document and signed by each party's representative. Failure of the Contractor's representative to sign the "facility interruption" day documentation after it is presented, with or without the notes of disagreement, shall constitute agreement with the "facility interruption" day determination contained in that document.
- D. There will be no modification to the time of contract performance due solely to the failure to deplete the "facility interruption" day allowance. The substantial completion date will not change.

PART 2 - PRODUCTS (Not Used)

PART 3 - EXECUTION

3.1 SCHEDULE OF ALLOWANCES

- A. Weather Allowance: Included within the completion period for this Project 10 "bad weather" days.
- B. Facility Interruption Allowance: Included within the completion period for this Project 5 "facility interruption" days.
- C. **END OF SECTION 012100**

SECTION 012200 – UNIT PRICES

PART 1 - GENERAL

1.1 RELATED DOCUMENTS

- A. Drawings and general provisions of the Contract including General and Supplementary Conditions and other Division 1 Specification Sections apply to this Section.

1.2 SUMMARY

- A. This Section includes administrative and procedural requirements for Unit Prices.

1.3 DEFINITIONS

- A. Unit Price is an amount proposed by bidders, stated on the Bid Form Attachment 004322 a price per unit of measurement for materials or services added to or deducted from the Contract Sum by appropriate modification, if estimated quantities of Work required by the Contract Documents are increased or decreased.

1.4 PROCEDURES

- A. Unit Prices include all necessary material plus cost for delivery, installation, insurance, applicable taxes, overhead, and profit.
- B. Measurement and Payment: Refer to individual Specification Sections for work that requires establishment of Unit Prices. Methods of measurement and payment for Unit Prices are specified in those Sections.
- C. Owner reserves the right to reject Contractor's measurement of Work in-place that involves use of established Unit Prices and to have this work measured, at Owner's expense, by an independent surveyor acceptable to Contractor.
- D. List of Unit Prices: A list of Unit Prices is included in Part 3. Specification Sections referenced in the schedule contain requirements for materials described under each Unit Price.

PART 2 - PRODUCTS (Not Used)

PART 3 - EXECUTION

3.1 LIST OF UNIT PRICES

- A. Unit Price No. 1 – Wet Roof System Replacement – 500 square yards:
 - 1. Description: Remove existing wet roofing system identified on Roof Demolition Plan and as determined during roof replacement. Replace with rigid roof insulation and cover board flush with top of existing roofing.

END OF SECTION 012200

SECTION 012600 – CONTRACT MODIFICATION PROCEDURES

PART 1 - GENERAL

1.1 RELATED DOCUMENTS

- A. Drawings and general provisions of the Contract including General and Supplementary Conditions and other Division 1 Specification Sections apply to this Section.

1.2 SUMMARY

- A. This Section specifies administrative and procedural requirements for handling and processing Contract Modifications.
- B. Related Sections include the following:
 - 1. Division 1, Section 012100 "Allowances" for procedural requirements for handling and processing Allowances.
 - 2. Division 1, Section 012200 "Unit Prices" for administrative requirements for using Unit Prices.
 - 3. Division 1, Section 013115 "Project Management Communications" for administrative requirements for communications.
 - 4. Division 0, Section 007213, Article 3.1 "Acceptable Substitutions" for administrative procedures for handling Requests for Substitutions made after Contract award.
 - 5. Division 0, Section 007213, Article 4.0 "Changes in the Work" for Change Order requirements.

1.3 REQUESTS FOR INFORMATION

- A. In the event that the Contractor or Subcontractor, at any tier, determines that some portion of the Drawings, Specifications, or other Contract Documents requires clarification or interpretation, the Contractor shall submit a "Request for Information" (RFI) in writing to the Designer. A RFI may only be submitted by the Contractor and shall only be submitted on the RFI forms provided by the Owner. The Contractor shall clearly and concisely set forth the issue for which clarification or interpretation is sought and why a response is needed. In the RFI, the Contractor shall set forth an interpretation or understanding of the requirement along with reasons why such an understanding was reached.
- B. Responses to RFI shall be issued within ten (10) working days of receipt of the Request from the Contractor unless the Designer determines that a longer time is necessary to provide an adequate response. If a longer time is determined necessary by the Designer, the Designer will, within five (5) working days of receipt of the request, notify the Contractor of the anticipated response time. If the Contractor submits a RFI on a time sensitive activity on the current project schedule, the Contractor shall not be entitled to any time extension due to the time it takes the Designer to respond to the request provided that the Designer responds within the ten (10) working days set forth above.
- C. Responses from the Designer will not change any requirement of the Contract Documents. In the event the Contractor believes that a response to a RFI will cause a change to the requirements of the Contract Document, the Contractor shall give written

notice to the Designer requesting a Change Order for the work. Failure to give such written notice within ten (10) working days, shall waive the Contractor's right to seek additional time or cost under Article 4, "Changes in the Work" of the General Conditions.

1.4 MINOR CHANGES IN THE WORK

- A. Designer will issue supplemental instructions authorizing Minor Changes in the Work, not involving adjustment to the Contract Amount or the Contract Time, on "Designer's Supplemental Instructions" (DSI).

1.5 PROPOSAL REQUESTS

- A. The Designer or Owner Representative will issue a detailed description of proposed Changes in the Work that may require adjustment to the Contract Amount or the Contract Time. The proposed Change Description will be issued using the "Request for Proposal" (RFP) form. If necessary, the description will include supplemental or revised Drawings and Specifications.
 - 1. Proposal Requests issued by the Designer or Owner Representative are for information only. Do not consider them instructions either to stop work in progress or to execute the proposed change.
 - 2. Within ten (10) working days after receipt of Proposal Request, submit a proposal for the cost adjustments to the Contract Amount and the Contract Time necessary to execute the Change. The Contractor shall submit his proposal on the appropriate Change Order Detailed Breakdown form. Subcontractors may use the appropriate Change Order Detailed Breakdown form or submit their proposal on their letterhead provided the same level of detail is included. All proposals shall include:
 - a. A detailed breakdown of costs per Article 4.1 of the General Conditions.
 - b. If requesting additional time per Article 4.2 of the General Conditions, include an updated Contractor's Construction Schedule that indicates the effect of the Change including, but not limited to, changes in activity duration, start and finish times, and activity relationship.

1.6 CHANGE ORDER PROCEDURES

- A. On Owner's approval of a Proposal Request, the Designer or Owner Representative will issue a Change Order for signatures of Owner and Contractor on the "Change Order" form.

PART 2 - PRODUCTS (Not Used)

PART 3 - EXECUTION (Not Used)

END OF SECTION 012600

SECTION 013100 – COORDINATION

PART 1 - GENERAL

1.1 RELATED DOCUMENTS

- A. Drawings and general provisions of the Contract including General and Supplementary Conditions and other Division 1 Specification Sections apply to this Section.

1.2 SUMMARY

- A. This Section includes administrative provisions for coordinating construction operations on Projects including, but not limited to, the following:
 - 1. Administrative and supervisory personnel.
 - 2. Project meetings.
- B. Each Contractor shall participate in coordination requirements. Certain areas of responsibility will be assigned to a specific Contractor.

1.3 COORDINATION

- A. Coordination: Coordinate construction operations included in different Sections of the Specifications to ensure efficient and orderly installation of each part of the Work. Coordinate construction operations included in different Sections, which depend on each other for proper installation, connection, and operation.
- B. Coordination: Each Contractor shall coordinate its construction operations with those of other contractors and entities to ensure efficient and orderly installation of each part of the Work. Each Contractor shall coordinate its operations with operations included in different Sections that depend on each other for proper installation, connection, and operation.
 - 1. Schedule construction operations in sequence required to obtain the best results where installation of one part of the Work depends on installation of other components, before or after its own installation.
 - 2. Coordinate installation of different components with other Contractors to ensure maximum accessibility for required maintenance, service, and repair.
 - 3. Make adequate provisions to accommodate items scheduled for later installation.
 - 4. Where availability of space is limited, coordinate installation of different components to ensure maximum performance and accessibility for required maintenance, service, and repair of all components including mechanical and electrical.
- C. Prepare memoranda for distribution to each party involved outlining special procedures required for coordination. Include such items as required notices, reports, and list of attendees at meetings.
 - 1. Prepare similar memoranda for Owner and separate Contractors if coordination of their Work is required.
- D. Administrative Procedures: Coordinate scheduling and timing of required administrative procedures with other construction activities and activities of other Contractors to avoid

conflicts and to ensure orderly progress of the Work. Such administrative activities include, but are not limited to, the following:

1. Preparation of Contractor's Construction Schedule.
 2. Preparation of the Schedule of Values.
 3. Installation and removal of temporary facilities and controls.
 4. Delivery and processing of submittals.
 5. Progress meetings.
 6. Preinstallation conferences.
 7. Project Closeout activities.
- E. Conservation: Coordinate construction activities to ensure that operations are carried out with consideration given to conservation of energy, water, and materials.
- F. Key Personnel Names: Within fifteen (15) work days of starting construction operations, submit a list of key personnel assignments including superintendent and other personnel in attendance at Project site. Identify individuals and their duties and responsibilities; list addresses and telephone numbers including home and office telephone numbers. Provide names, addresses, and telephone numbers of individuals assigned as standbys in the absence of individuals assigned to Project.

1.4 PROJECT MEETINGS

- A. The Owner's Construction Representative will schedule a Pre-Construction Meeting prior to beginning of construction. The date, time, and exact place of this meeting will be determined after Contract Award and notification of all interested parties. The Contractor shall arrange to have the Job Superintendent and all prime Subcontractors present at the meeting. During the Pre-Construction Meeting, the construction procedures and information necessary for submitting payment requests will be discussed and materials distributed along with any other pertinent information.
- B. Progress Meetings: The Owner's Construction Representative will conduct Monthly Progress Meetings as stated in Articles 1.8.B and 1.8.C of Section 007213 "General Conditions".
- C. Preinstallation Conferences: Contractor shall conduct a preinstallation conference at Project site before each construction activity that requires coordination with other construction.
1. Attendees: Installer and representatives of Manufacturers and Fabricators involved in or affected by the installation and its coordination or integration with other materials and installations that have preceded or will follow, shall attend the meeting. Advise Designer and Construction Representative of scheduled meeting dates.
 2. Agenda: Review progress of other construction activities and preparations for the particular activity under consideration including requirements for the following:
 - a. Contract Documents
 - b. Options
 - c. Related RFIs

- d. Related Change Orders
 - e. Purchases
 - f. Deliveries
 - g. Submittals
 - h. Possible conflicts
 - i. Compatibility problems
 - j. Time schedules
 - k. Weather limitations
 - l. Manufacturer's written recommendations
 - m. Warranty requirements
 - n. Compatibility of materials
 - o. Acceptability of substrates
 - p. Temporary facilities and controls
 - q. Space and access limitations
 - r. Regulations of authorities having jurisdiction
 - s. Testing and inspecting requirements
 - t. Installation procedures
 - u. Coordination with other Work
 - v. Required performance results
 - w. Protection of adjacent Work
 - x. Protection of construction and personnel
3. Contractor shall record significant conference discussions, agreements, and disagreements including required corrective measures and actions.
 4. Reporting: Distribute minutes of the meeting to each party present and to parties who should have been present.
 5. Do not proceed with installation if the conference cannot be successfully concluded. Initiate whatever actions are necessary to resolve impediments to performance of the Work and reconvene the conference at earliest feasible date.

PART 2 - PRODUCTS (Not Used)

PART 3 - EXECUTION (Not Used)

END OF SECTION 013100

SECTION 013115 - PROJECT MANAGEMENT COMMUNICATIONS

PART 1 - GENERAL

1.1 RELATED DOCUMENTS

- A. Drawings and general provisions of the Contract including General and Supplementary Conditions, Bid Form, and other Division 1 Specification Sections apply to this Section.

1.2 SUMMARY

- A. Project Management Communications: The Contractor shall use the Internet web based project management communications tool, E-Builder[®] ASP software, and protocols included in that software during this project. The use of project management communications as herein described does not replace or change any contractual responsibilities of the participants.
 - 1. Project management communications is available through E-Builder[®] as provided by "e-Builder[®]" in the form and manner required by the Owner.
 - 2. The project communications database is on-line and fully functional. User registration, electronic and computer equipment, and Internet connections are the responsibility of each project participant. The sharing of user accounts is prohibited
- B. Support: E-Builder[®] will provide on-going support through on-line help files.
- C. Copyrights and Ownership: Nothing in this specification or the subsequent communications supersedes the parties' obligations and rights for copyright or document ownership as established by the Contract Documents. The use of CAD files, processes or design information distributed in this system is intended only for the project specified herein.
- D. Purpose: The intent of using E-Builder[®] is to improve project work efforts by promoting timely initial communications and responses. Secondly, to reduce the number of paper documents while providing improved record keeping by creation of electronic document files
- E. Authorized Users: Access to the web site will be by individuals who are authorized users.
 - 1. Individuals shall complete the E-Builder New Company/User Request Form located at the following web site: <https://oa.mo.gov/facilities/vendor-links/contractor-forms>. Completed forms shall be emailed to the following email address: OA.FMDCE-BuilderSupport@oa.mo.gov.
 - 2. Authorized users will be contacted directly and assigned a temporary user password.

3. Individuals shall be responsible for the proper use of their passwords and access to data as agents of the company in which they are employed.
- F. Administrative Users: Administrative users have access and control of user licenses and all posted items. DO NOT POST PRIVATE OR YOUR COMPANY CONFIDENTIAL ITEMS IN THE DATABASE! Improper or abusive language toward any party or repeated posting of items intended to deceive or disrupt the work of the project will not be tolerated and will result in deletion of the offensive items and revocation of user license at the sole discretion of the Administrative User(s).
- G. Communications: The use of fax, email and courier communication for this project is discouraged in favor of using E-Builder® to send messages. Communication functions are as follows:
1. Document Integrity and Revisions:
 - a. Documents, comments, drawings and other records posted to the system shall remain for the project record. The authorship time and date shall be recorded for each document submitted to the system. Submitting a new document or record with a unique ID, authorship, and time stamp shall be the method used to make modifications or corrections.
 - b. The system shall make it easy to identify revised or superseded documents and their predecessors.
 - c. Server or Client side software enhancements during the life of the project shall not alter or restrict the content of data published by the system. System upgrades shall not affect access to older documents or software.
 2. Document Security:
 - a. The system shall provide a method for communication of documents. Documents shall allow security group assignment to respect the contractual parties communication except for Administrative Users. DO NOT POST PRIVATE OR YOUR COMPANY CONFIDENTIAL ITEMS IN THE DATABASE!
 3. Document Integration:
 - a. Documents of various types shall be logically related to one another and discoverable. For example, requests for information, daily field reports, supplemental sketches and photographs shall be capable of reference as related records.
 4. Reporting:
 - a. The system shall be capable of generating reports for work in progress, and logs for each document type. Summary reports generated by the system shall be available for team members.
 5. Notifications and Distribution:
 - a. Document distribution to project members shall be accomplished both within the extranet system and via email as appropriate. Project document distribution to parties outside of the project communication system shall be accomplished by secure email of outgoing documents and attachments, readable by a standard email client.
 6. Required Document Types:
 - a. RFI, Request for Information.

- b. Submittals, including record numbering by drawing and specification section.
 - c. Transmittals, including record of documents and materials delivered in hard copy.
 - d. Meeting Minutes.
 - e. Application for Payments (Draft or Pencil).
 - f. Review Comments.
 - g. Field Reports.
 - h. Construction Photographs.
 - i. Drawings.
 - j. Supplemental Sketches.
 - k. Schedules.
 - l. Specifications.
 - m. Request for Proposals
 - n. Designer's Supplemental Instructions
 - o. Punch Lists
- H. Record Keeping: Except for paper documents, which require original signatures and large format documents (greater than 8½ x 11 inches), all other 8½ x 11 inches documents shall be submitted by transmission in electronic form to the E-Builder® web site by licensed users.
- a. The Owner and his representatives, the Designer and his consultants, and the Contractor and his Sub Contractors and suppliers at every tier shall respond to documents received in electronic form on the web site, and consider them as if received in paper document form.
 - b. The Owner and his representatives, the Designer and his consultants, and the Contractor and his Sub Contractors and suppliers at every tier reserves the right to and shall reply or respond by transmissions in electronic form on the web site to documents actually received in paper document form.
 - c. The Owner and his representatives, the Designer and his consultants, and the Contractor and his Sub Contractors and suppliers at every tier reserves the right to and shall copy any paper document into electronic form and make same available on the web site.
- I. Minimum Equipment and Internet Connection: In addition to other requirements specified in this Section, the Owner and his representatives, the Construction Manager and his representatives, the Architect and his consultants, and the Contractor and his sub-contractors and suppliers at every tier required to have a user license(s) shall be responsible for the following:
- 1. Providing suitable computer systems for each licensed user at the users normal work location¹ with high-speed Internet access, i.e. DSL, local cable company's Internet connection, or T1 connection.
 - 2. Each of the above referenced computer systems shall have the following minimum system² and software requirements:

¹ The normal work location is the place where the user is assigned for more than one-half of his time working on this project.

- a. Desktop configuration (Laptop configurations are similar and should be equal to or exceed desktop system.)
- 1) Operating System: Windows XP or newer
 - 2) Internet Browser: Internet Explorer 6.01SP2+ (Recommend IE7.0+)
 - 3) Minimum Recommend Connection Speed: 256K or above
 - 4) Processor Speed: 1 Gigahertz and above
 - 5) RAM: 512 mb
 - 6) Operating system and software shall be properly licensed.
 - 7) Internet Explorer version 7 (current version is a free distribution for download). This specification is not intended to restrict the host server or client computers provided that industry standard HTTP clients may access the published content.
 - 8) Adobe Acrobat Reader (current version is a free distribution for download).
 - 9) Users should have the standard Microsoft Office Suite (current version must be purchased) or the equivalent.

PART 2 - PRODUCTS (Not Applicable)

PART 3 - EXECUTION (Not Applicable.)

END OF SECTION 013115

² The minimum system herein will not be sufficient for many tasks and may not be able to process all documents and files stored in the E-Builder® Documents area.

SECTION 013200 – SCHEDULE – BAR CHART

PART 1 - GENERAL

1.1 RELATED DOCUMENTS

- A. Drawings and general provisions of the Contract including General and Supplementary Conditions, Bid Form, and other Division 1 Specification Sections apply to this Section.

1.2 SUMMARY

- A. This Section includes requirements for a Bar Chart Schedule for the project construction activities, schedule of submittals, and schedule for testing.

PART 2 - PRODUCTS – (Not Applicable)

PART 3 - EXECUTION

3.1 SUBMITTAL PROCEDURES

- A. The Contractor shall submit to the Designer, within ten (10) working days following the Notice to Proceed, a Progress Schedule including Schedule of Values showing the rate of progress the Contractor agrees to maintain and the order in which he proposed to carry out the various phases of Work. No payments shall be made to the Contractor until the Progress Schedule has been approved by the Owner.
 - 1. The Schedule of Values must have the following line items included with the value of the item as indicated below:
 - a. O&M's (Owner's Manual)
 - 1) \$1,000,000.00 (One million) and under – 2% of the total contract amount
 - 2) Over \$1,000,000.00 (One million) – 1% of the total contract amount
 - b. Close Out Documents
 - 1) \$1,000,000.00 (One million) and under – 2% of the total contract amount
 - 2) Over \$1,000,000.00 (One million) – 1% of the total contract amount
 - c. General Conditions
 - 1) No more than 10%
- B. The Contractor shall submit an updated Schedule for presentation at each Monthly Progress Meeting. The Schedule shall be updated by the Contractor as necessary to reflect the current Schedule and its relationship to the original Schedule. The updated Schedule shall reflect any changes in the logic, sequence, durations, or completion date. Payments to the Contractor shall be suspended if the Progress Schedule is not adequately updated to reflect actual conditions.

- C. The Contractor shall submit Progress Schedules to Subcontractors to permit coordinating their Progress Schedules to the general construction Work. The Contractor shall coordinate preparation and processing of Schedules and reports with performance of other construction activities.

3.2 CONSTRUCTION PROGRESS SCHEDULE – BAR CHART SCHEDULE

- A. Bar-Chart Schedule: The Contractor shall prepare a comprehensive, fully developed, horizontal bar chart-type Contractor’s Construction Schedule. The Contractor for general construction shall prepare the Construction Schedule for the entire Project. The Schedule shall show the percentage of work to be completed at any time, anticipated monthly payments by Owner, as well as significant dates (such as completion of excavation, concrete foundation work, underground lines, superstructure, rough-ins, enclosure, hanging of fixtures, etc.) which shall serve as check points to determine compliance with the approved Schedule. The Schedule shall also include an activity for the number of “bad” weather days specified in Section 012100 – Allowances.
 - 1. The Contractor shall provide a separate time bar for each significant construction activity. Provide a continuous vertical line to identify the first working day of each week.
 - a. If practical, use the same Schedule of Values breakdown for schedule time bars.
 - 2. The Contractor shall provide a base activity time bar showing duration for each construction activity. Each bar is to indicate start and completion dates for the activity. The Contractor is to place a contrasting bar below each original schedule activity time for indicating actual progress and planned remaining duration for the activity.
 - 3. The Contractor shall prepare the Schedule on a minimal number of separate sheets to readily show the data for the entire construction period.
 - 4. Secure time commitments for performing critical elements of the Work from parties involved. Coordinate each element on schedule with other construction activities. Include minor elements involved in the overall sequence of the Work. Show each activity in proper sequence. Indicate graphically the sequences necessary for completion of related portions of the Work.
 - 5. Coordinate the Contractor’s Construction Schedule with the Schedule of Values, list of subcontracts, Submittal Schedule, progress reports, payment requests, and other required schedules and reports.
 - 6. Indicate the Intent to Award and the Contract Substantial Completion dates on the schedule.
- B. Phasing: Provide notations on the schedule to show how the sequence of the Work is affected by the following:
 - 1. Requirement for Phased completion
 - 2. Work by separate Contractors
 - 3. Work by the Owner
 - 4. Pre-purchased materials
 - 5. Coordination with existing construction
 - 6. Limitations of continued occupancies

7. Un-interruptible services
 8. Partial Occupancy prior to Substantial Completion
 9. Site restrictions
 10. Provisions for future construction
 11. Seasonal variations
 12. Environmental control
- C. Work Stages: Use crosshatched bars to indicate important stages of construction for each major portion of the Work. Such stages include, but are not necessarily limited to, the following:
1. Subcontract awards
 2. Submittals
 3. Purchases
 4. Mockups
 5. Fabrication
 6. Sample testing
 7. Deliveries
 8. Installation
 9. Testing
 10. Adjusting
 11. Curing
 12. Startup and placement into final use and operation
- D. Area Separations: Provide a separate time bar to identify each major area of construction for each major portion of the Work. For the purposes of this Article, a “major area” is a story of construction, a separate building, or a similar significant construction element.
1. Indicate where each construction activity within a major area must be sequenced or integrated with other construction activities to provide for the following:
 - a. Structural completion.
 - b. Permanent space enclosure
 - c. Completion of mechanical installation
 - d. Completion of the electrical portion of the Work
 - e. Substantial Completion

3.3 SCHEDULE OF SUBMITTALS

- A. Upon acceptance of the Construction Progress Schedule, prepare and submit a complete schedule of submittals. Coordinate the submittal schedule with Section 013300 SUBMITTALS, the approved Construction Progress Schedule, list of subcontracts, Schedule of Values and the list of products.
- B. Prepare the schedule in chronological order. Provide the following information

1. Scheduled date for the first submittal
 2. Related Section number
 3. Submittal category
 4. Name of the Subcontractor
 5. Description of the part of the Work covered
 6. Scheduled date for resubmittal
 7. Scheduled date for the Designer's final release or approval
- C. Distribution: Following the Designer's response to the initial submittal schedule, print and distribute copies to the Designer, Owner, subcontractors, and other parties required to comply with submittal dates indicated.
1. Post copies in the Project meeting room and temporary field office.
 2. When revisions are made, distribute to the same parties and post in the same locations. Delete parties from distribution when they have completed their assigned part of the Work and are no longer involved in construction activities.
- D. Schedule Updating: Revise the schedule after each meeting or other activity where revisions have been recognized or made. Issue the updated schedule concurrently with the report of each meeting.

3.4 SCHEDULE OF INSPECTIONS AND TESTS

- A. Prepare a schedule of inspections, tests, and similar services required by the Contract Documents. Submit the schedule with (15) days of the date established for commencement of the Contract Work. The Contractor is to notify the testing agency at least (5) working days in advance of the required tests unless otherwise specified.
- B. Form: This schedule shall be in tabular form and shall include, but not be limited to, the following:
1. Specification Section number
 2. Description of the test
 3. Identification of applicable standards
 4. Identification of test methods
 5. Number of tests required
 6. Time schedule or time span for tests
 7. Entity responsible for performing tests
 8. Requirements for taking samples
 9. Unique characteristics of each service
- C. Distribution: Distribute the schedule to the Owner, Architect, and each party involved in performance of portions of the Work where inspections and tests are required.

END OF SECTION 013200

SECTION 013300 – SUBMITTALS

PART 1 - GENERAL

1.1 RELATED DOCUMENTS

- A. Drawings and general provisions of the Contract including General and Supplementary Conditions, Bid Form, and other Division 1 Specification Sections apply to this Section.

1.2 SUMMARY

- A. This Section includes administrative and procedural requirements for submittals required for performance of the Work including the following:
 - 1. Shop Drawings
 - 2. Product Data
- B. Administrative Submittals: Refer to General and Supplementary Conditions other applicable Division 1 Sections and other Contract Documents for requirements for administrative submittals. Such submittals include, but are not limited to, the following:
 - 1. Construction Progress Schedule including Schedule of Values
 - 2. Performance and Payment Bonds
 - 3. Insurance Certificates
 - 4. Applications for Payment
 - 5. Certified Payroll Reports
 - 6. Partial and Final Receipt of Payment and Release Forms
 - 7. Affidavit – Compliance with Prevailing Wage Law
 - 8. Record Drawings
- C. The Contractor is obliged and responsible to check all shop drawings and schedules to assure compliance with contract plans and specifications. The Contractor is responsible for the content of the shop drawings and coordination with other contract work. Shop drawings and schedules shall indicate, in detail, all parts of an Item or Work including erection and setting instructions and integration with the Work of other trades.

1.3 SUBMITTAL PROCEDURES

- A. The Contractor shall comply with the General and Supplementary Conditions and other applicable sections of the Contract Documents. The Contractor shall submit, with such promptness as to cause no delay in his work or in that of any other contractors, all required submittals indicated in Part 3.1 of this section and elsewhere in the Contract Documents. Coordinate preparation and processing of submittals with performance of construction activities. Transmit each submittal sufficiently in advance of performance of related construction activities to avoid delay.
 - 1. Coordinate each submittal with fabrication, purchasing, testing, delivery, other submittals, and related activities that require sequential activity.
 - 2. Coordinate transmittal of different types of submittals for related elements of the Work so processing will not be delayed by the need to review submittals concurrently for coordination.

- B. Each drawing and/or series of drawings submitted must be accompanied by a letter of transmittal giving a list of the titles and numbers of the drawings. Each series shall be numbered consecutively for ready reference and each drawing shall be marked with the following information:
1. Date of Submission
 2. Name of Project
 3. Location
 4. Section Number of Specification
 5. State Project Number
 6. Name of Submitting Contractor
 7. Name of Subcontractor
 8. Indicate if Item is submitted as specified or as a substitution

1.4 SHOP DRAWINGS

- A. Comply with the General Conditions, Article 3.2.
- B. The Contractor shall submit newly prepared information drawn accurately to scale. Highlight, encircle, or otherwise indicate deviations from the Contract Documents. Do not reproduce Contract Documents or copy standard information as the basis of Shop Drawings. Standard information prepared without specific reference to the Project is not a Shop Drawing.
- C. Shop Drawings include fabrication and installation drawings, setting diagrams, schedules, patterns, templates, and similar drawings including the following information:
1. Dimensions
 2. Identification of products and materials included by sheet and detail number
 3. Compliance with specified standards
 4. Notation of coordination requirements
 5. Notation of dimensions established by field measurement
 6. Sheet Size: Except for templates, patterns and similar full-size Drawings, submit Shop Drawings on sheets at least 8½"x11" but no larger than 24"x36".

1.5 PRODUCT DATA

- A. The Contractor shall comply with the General Conditions, Article 3.2.
- B. The Contractor shall collect Product Data into a single submittal for each element of construction or system. Product Data includes printed information, such as manufacturer's installation instructions, catalog cuts, standard color charts, roughing-in diagrams and templates, standard wiring diagrams, and performance curves.
1. Mark each copy to show applicable choices and options. Where printed Product Data includes information on several products that are not required, mark copies to indicate the applicable information including the following information:
 - a. Manufacturer's printed recommendations
 - b. Compliance with Trade Association standards

- c. Compliance with recognized Testing Agency standards
 - d. Application of Testing Agency labels and seals
 - e. Notation of dimensions verified by field measurement
 - f. Notation of coordination requirements
2. Do not submit Product Data until compliance with requirements of the Contract Documents has been confirmed.

1.6 SAMPLES

- A. The Contractor shall comply with the General Conditions, Article 3.2.
- B. The Contractor shall submit full-size, fully fabricated samples, cured and finished as specified, and physically identical with the material or product proposed. Samples include partial sections of manufactured or fabricated components, cuts or containers of materials, color range sets, and swatches showing color, texture, and pattern.
 - 1. The Contractor shall submit samples for review of size, kind, color, pattern, and texture. Submit samples for a final check of these characteristics with other elements and a comparison of these characteristics between the final submittal and the actual component as delivered and installed.
 - a. Where variation in color, pattern, texture, or other characteristic is inherent in the material or product represented, submit at least three (3) multiple units that show approximate limits of the variations.
 - b. Refer to other Specification Sections for requirements for samples that illustrate workmanship, fabrication techniques, details of assembly, connections, operation, and similar construction characteristics.
 - c. Refer to other Sections for samples to be returned to the Contractor for incorporation in the Work. Such samples must be undamaged at time of use. On the transmittal, indicate special requests regarding disposition of sample submittals.
 - 2. Field samples are full-size examples erected onsite to illustrate finishes, coatings, or finish materials and to establish the Project standard.
 - a. The Contractor shall comply with submittal requirements to the fullest extent possible. The Contractor shall process transmittal forms to provide a record of activity.

1.7 QUALITY ASSURANCE DOCUMENTS

- A. The Contractor shall comply with the General Conditions, Article 3.2
- B. The Contractor shall submit quality control submittals including design data, certifications, manufacturer's instructions, manufacturer's field reports, and other quality-control submittals as required under other Sections of the Specifications.
- C. Certifications: Where other Sections of the Specifications require certification that a product, material, or installation complies with specified requirements, submit a notarized certification from the Manufacturer certifying compliance with specified requirements.

PART 2 - PRODUCTS (Not Applicable)

PART 3 - EXECUTION

3.1 REQUIRED SUBMITTALS

- A. Contractor shall submit the following information for materials and equipment to be provided under this contract.

<u>SPEC SECTION</u>	<u>TITLE</u>	<u>CATEGORY</u>
013200	Schedule	Construction Schedule
013200	Schedule	Schedule of Values
013200	Schedule	List of Subcontractors
013200	Schedule	Major Material Suppliers
075423	Thermoplastic Polyolefin	Shop Drawings
075423	Thermoplastic Polyolefin	Product Data
075423	Thermoplastic Polyolefin	Samples
075423	Thermoplastic Polyolefin	Certifications
075423	Thermoplastic Polyolefin	Manufacturer's Instructions
075423	Thermoplastic Polyolefin	Operating Instructions
075423	Thermoplastic Polyolefin	Warranties
079200	Joint Sealants	Product Data

END OF SECTION 01330

SECTION 013513.10 - SITE SECURITY AND HEALTH REQUIREMENTS (OA)

PART 1 - GENERAL

1.1 RELATED DOCUMENTS

- A. Drawings and general provisions of the Contract including General and Supplementary Conditions, Bid Form, and other Division 1 Specification Sections apply to this Section.

1.2 SUBMITTALS

- A. List of required submittals:
 - 1. Materials Safety Data Sheets for all hazardous materials to be brought onsite.
 - 2. Schedule of proposed shutdowns, if applicable.
 - 3. A list of the names of all employees who will submit fingerprints for a background check, and the signed privacy documents identified below for each employee.

PART 2 - PRODUCTS (Not Applicable)

PART 3 - EXECUTION

3.1 ACCESS TO THE SITE

- A. The Contractor shall arrange with Facility Representatives to establish procedures for the controlled entry of workers and materials into the work areas at the Facility.
- B. The Contractor shall establish regular working hours with Facility Representatives. The Contractor must report changes in working hours or overtime to Facility Representatives and obtain approval twenty-four (24) hours ahead of time. The Contractor shall report emergency overtime to Facility Representatives as soon as it is evident that overtime is needed. The Contractor must obtain approval from Facility Representatives for all work performed after dark.
- C. The Contractor shall provide the name and phone number of the Contractor's employee or agent who is in charge onsite; this individual must be able to be contacted in case of emergency. The Contractor must be able to furnish names and address of all employees upon request.
- D. All construction personnel shall visibly display issued identification cards.

3.2 FIRE PROTECTION, SAFETY, AND HEALTH CONTROLS

- A. The Contractor shall take all necessary precautions to guard against and eliminate possible fire hazards.
 - 1. Onsite burning is prohibited.
 - 2. The Contractor shall store all flammable or hazardous materials in proper containers

- located outside the buildings or offsite, if possible.
3. The Contractor shall provide and maintain, in good order, during construction fire extinguishers as required by the National Fire Protection Association. In areas of flammable liquids, asphalt, or electrical hazards, 15-pound carbon dioxide or 20-pound dry chemical extinguishers shall be provided.
- B. The Contractor shall not obstruct streets or walks without permission from the Owner's Construction Representative and Facility Representatives.
 - C. The Contractor's personnel shall not exceed the speed limit of 15 mph while at the Facility unless otherwise posted.
 - D. The Contractor shall take all necessary, reasonable measures to reduce air and water pollution by any material or equipment used during construction. The Contractor shall keep volatile wastes in covered containers, and shall not dispose of volatile wastes or oils in storm or sanitary drains.
 - E. The Contractor shall keep the project site neat, orderly, and in a safe condition at all times. The Contractor shall immediately remove all hazardous waste, and shall not allow rubbish to accumulate. The Contractor shall provide onsite containers for collection of rubbish and shall dispose of it at frequent intervals during the progress of the Work.
 - F. Fire exits, alarm systems, and sprinkler systems shall remain fully operational at all times, unless written approval is received from the Owner's Construction Representative and the appropriate Facility Representative at least twenty-four (24) hours in advance. The Contractor shall submit a written time schedule for any proposed shutdowns.
 - G. For all hazardous materials brought onsite, Material Safety Data Sheets shall be on site and readily available upon request at least a day before delivery.
 - H. Alcoholic beverages or illegal substances shall not be brought upon the Facility premises. The Contractor's workers shall not be under the influence of any intoxicating substances while on the Facility premises.

3.3 SECURITY CLEARANCES AND RESTRICTIONS

- A. **FMDC CONTRACTOR BACKGROUND AND ID BADGE PROCESS**
 1. All employees of an OA/FMDC contractor (or subcontractor performing work under an OA/FMDC contract) are required to submit a fingerprint check through the Missouri State Highway Patrol (MSHP) and the FBI enabling OA/FMDC to obtain state and national criminal background checks on the employees, unless stated otherwise in the Contractor's contract.
 2. FMDC reserves the right to prohibit any employee of the Contractor from performing work in or on the premises of any facility owned, operated, or utilized by the State of Missouri for any reason.
 3. The Contractor shall ensure all of its employees submit fingerprints to the Missouri State Highway Patrol and pay for the cost of such background checks. The Contractor shall submit to FMDC via email to FMDCSecurity@oa.mo.gov a list of the names of the Contractor's employees who will be fingerprinted and a signed OA/FMDC Authorization

for Release of Information Confidentiality Oath for each employee. All employees of the Contractor approved by FMDC to work at a State facility must obtain a contractor ID badge from FMDC prior to beginning work on-site, unless the Director of FMDC, at the Director's discretion, waives the requirement for a contractor ID badge. The Contractor and its employees must comply with the process for background checks and contractor ID badges found on FMDC's website at: <https://oa.mo.gov/facilities/facilities-operations/security-information/fmdc-contractor-background-and-id-badge>

4. Fingerprints and Authorization for Release of Information Confidentiality Oath form are valid for one (1) year and must be renewed annually. Changing or adding locations may result in additional required documentation. Certain employees may be required to be fingerprinted more frequently. OA/FMDC reserves the right to request additional background checks at any time for any reason.
5. The Contractor shall notify FMDC via email to FMDCSecurity@oa.mo.gov within 48 hours of anyone severing employment with their company.

3.4 DISRUPTION OF UTILITIES

- A. The Contractor shall give a minimum of seventy-two (72) hours written notice to the Construction Representative and the Facility Representative before disconnecting electric, gas, water, fire protection, or sewer service to any building.
- B. The Contractor shall give a minimum of seventy-two (72) hours written notice to the Construction Representative and Facility Representative before closing any access drives, and shall make temporary access available, if possible. The Contractor shall not obstruct streets, walks, or parking.

3.5 PROTECTION OF PERSONS AND PROPERTY

A. SAFETY PRECAUTIONS AND PROGRAMS

1. The Contractor shall at all times conduct operations under this Contract in a manner to avoid the risk of bodily harm to persons or risk of damage to any property. The Contractor shall promptly take precautions which are necessary and adequate against conditions created during the progress of the Contractor's activities hereunder which involve a risk of bodily harm to persons or a risk of damage to property. The Contractor shall continuously inspect Work, materials, and equipment to discover and determine any such conditions and shall be solely responsible for discovery, determination, and correction of any such conditions. The Contractor shall comply with applicable safety laws, standards, codes, and regulations in the jurisdiction where the Work is being performed, specifically, but without limiting the generality of the foregoing, with rules regulations, and standards adopted pursuant to the Williams-Steiger Occupational Safety and Health Act of 1970 and applicable amendments.
2. All contractors, subcontractors and workers on this project are subject to the Construction Safety Training provisions 292.675 RSMo.
3. In the event the Contractor encounters on the site, material reasonably believed to be asbestos, polychlorinated biphenyl (PCB), lead, mercury, or other material known to be hazardous, which has not been rendered harmless, the Contractor shall immediately stop Work in the area affected and report the condition to the Owner's Representative and the Architect in writing. The Work in the affected area shall not thereafter be resumed except

by written agreement of the Owner's Representative and Contractor if in fact the material is asbestos or polychlorinated biphenyl (PCB) and has not been rendered harmless. The Work in the affected area shall be resumed in the absence of asbestos or polychlorinated biphenyl (PCB), or when it has been rendered harmless by written agreement of the Owner's Representative and the Contractor. "Rendered Harmless" shall mean that levels of such materials are less than any applicable exposure standards, including but limited to OSHA regulations.

B. SAFETY OF PERSONS AND PROPERTY

1. The Contractor shall take reasonable precautions for safety of, and shall provide protection to prevent damage, injury, or loss to:
 - a. clients, staff, the public, construction personnel, and other persons who may be affected thereby;
 - b. the Work and materials and equipment to be incorporated therein, whether in storage on or off the site, under care, custody, or control of the Contractor or the Contractor's Subcontractors of any tier; and
 - c. other property at the site or adjacent thereto, such as trees, shrubs, lawns, walks, pavements, roadways, structures, and utilities not designated for removal, relocation, or replacement in the course of construction.
2. The Contractor shall give notices and comply with applicable laws, standards, codes, ordinances, rules, regulations, and lawful orders of public authorities bearing on safety of persons or property or their protection from damage, injury, or loss.
3. The Contractor shall erect and maintain, as required by existing conditions and performance of the Contract, safeguards for safety and protection, including, but not limited to, posting danger signs and other warnings against hazards, promulgating safety regulations, and notifying owners and users of adjacent sites and utilities.
4. When use or storage of explosives or other hazardous materials or equipment or unusual methods are necessary for execution of the Work, the Contractor shall exercise the highest degree of care and carry on such activities under supervision of properly qualified personnel.
5. The Contractor shall promptly remedy damage and loss (other than damage or loss insured under property insurance required by the Contract Documents) to property referred to in this Section caused in whole or in part by the Contractor, a Subcontractor of any tier, or anyone directly or indirectly employed by any of them, or by anyone for whose acts they may be liable, and for which the Contractor is responsible under this Section, except damage or loss attributable solely to acts or omissions of Owner or the Architect or anyone directly or indirectly employed by either of them, or by anyone for whose acts either of them may be liable, and not attributable to the fault or negligence of the Contractor. The foregoing obligations of the Contractor are in addition to the Contractor's other obligations stated elsewhere in the Contract.
6. The Contractor shall designate a responsible member of the Contractor's organization at the site whose duty shall be the prevention of accidents, and the maintaining, enforcing and supervising of safety precautions and programs. This person shall be the Contractor's superintendent unless otherwise designated by the Contractor in writing to the Owner's Representative and Architect. The Contractor shall hold regularly scheduled safety meetings to instruct Contractor personnel on safety practices, accident avoidance and prevention, and the Project Safety Program. The Contractor shall furnish safety equipment and enforce the use of such equipment by its employees and its subcontractors

- of any tier.
7. The Contractor shall not load or permit any part of the construction or site to be loaded so as to endanger its safety.
 8. The Contractor shall promptly report in writing to the Owner all accidents arising out of or in connection with the Work which cause death, lost time injury, personal injury, or property damage, giving full details and statements of any witnesses. In addition, if death, serious personal injuries, or serious property damages are caused, the accident shall be reported immediately.
 9. The Contractor shall promptly notify in writing to the Owner of any claims for injury or damage to personal property related to the work, either by or against the Contractor.
 10. The Owner assumes no responsibility or liability for the physical condition or safety of the Work site or any improvements located on the Work site. The Contractor shall be solely responsible for providing a safe place for the performance of the Work. The Owner shall not be required to make any adjustment in either the Contract Sum or Contract Time concerning any failure by the Contractor or any Subcontractor to comply with the requirements of this Paragraph.
 11. In no event shall the Owner have control over, charge of, or any responsibility for construction means, methods, techniques, sequences or procedures or for safety precautions and programs in connection with the Work, notwithstanding any of the rights and authority granted the Owner in the Contract Documents.
 12. The Contractor shall maintain at his own cost and expense, adequate, safe and sufficient walkways, platforms, scaffolds, ladders, hoists and all necessary, proper, and adequate equipment, apparatus, and appliances useful in carrying on the Work and which are necessary to make the place of Work safe and free from avoidable danger for clients, staff, the public and construction personnel, and as may be required by safety provisions of applicable laws, ordinances, rules regulations and building and construction codes.

END OF SECTION 013513.10

SECTION 015000 – CONSTRUCTION FACILITIES AND TEMPORARY CONTROLS

PART 1 - GENERAL

1.1 RELATED DOCUMENTS

- A. Drawings and general provisions of the Contract including General and Supplementary Conditions, Bid Form, and other Division 1 Specification Sections apply to this Section.

1.2 SUMMARY

- A. This Section includes requirements for construction facilities and temporary controls including temporary utilities, support facilities, security, and protection.
- B. Temporary utilities include, but are not limited to, the following:
 - 1. Sanitary facilities, including drinking water

1.3 QUALITY ASSURANCE

- A. Regulations: Comply with industry standards and applicable laws and regulations including, but not limited to, the following:
 - 1. Building code requirements
 - 2. Health and safety regulations
 - 3. Environmental protection regulations
- B. Standards: Comply with NFPA 241 “Standard for Safeguarding Construction, Alterations, and Demolition Operations”, ANSI A10 Series standards for “Safety Requirements for Construction and Demolition”, and NECA Electrical Design Library “Temporary Electrical Facilities”.
 - 1. Electrical Service: Comply with NEMA, NECA, and UL standards and regulations for temporary electric service. Install service in compliance with NFPA 70 “National Electric Code”.

1.4 PROJECT CONDITIONS

- A. Conditions of Use: Keep temporary services and facilities clean and neat in appearance. Operate in a safe and efficient manner. Relocate temporary services and facilities as the Work progresses. Do not overload facilities or permit them to interfere with progress. Take necessary fire-prevention measures. Do not allow hazardous, dangerous, or unsanitary conditions, or public nuisances to develop or persist onsite.

PART 2 - PRODUCTS

2.1 MATERIALS

- A. General: Provide new materials. If acceptable to the Designer, the Contractor may use undamaged, previously used materials in serviceable condition. Provide materials suitable for use intended.
- B. Water: Provide potable water approved by local health authorities.

2.2 EQUIPMENT

- A. General: Provide new equipment. If acceptable to the Designer, the Contractor may use undamaged, previously used equipment in serviceable condition. Provide equipment suitable for use intended.
- B. Temporary Toilet Units: Provide self-contained, single-occupant toilet units of the chemical, aerated re-circulation, or combustion type. Provide units properly vented and fully enclosed with a glass-fiber-reinforced polyester shell or similar nonabsorbent material.
- C. Fire Extinguishers: Provide hand-carried, portable, UL-rated, Class A fire extinguishers for temporary offices and similar spaces. In other locations, provide hand-carried, portable, UL-rated, Class ABC, dry-chemical extinguishers, or a combination of extinguishers of NFPA-recommended classes for the exposures.
 - 1. Comply with NFPA 10 and NFPA 241 for classification, extinguishing agent, and size required by location and class of fire exposure.

PART 3 - EXECUTION

3.1 INSTALLATION

- A. Use qualified personnel for installation of temporary facilities. Locate facilities where they will serve the Project adequately and result in minimum interference with performance of the Work. Relocate and modify facilities as required.
- B. Provide each Facility ready for use when needed to avoid delay. Maintain and modify as required. Do not remove until facilities are no longer needed or are replaced by authorized use of completed permanent facilities.

3.2 TEMPORARY UTILITY INSTALLATION

- A. General: Engage the appropriate local utility company to install temporary service or connect to existing service. Where company provides only part of the service, provide the remainder with matching, compatible materials and equipment. Comply with company recommendations.
 - 1. Arrange with company and existing users for a time when service can be interrupted, if necessary, to make connections for temporary services.
 - 2. Provide adequate capacity at each stage of construction. Prior to temporary utility availability, provide trucked-in services.
 - 3. Use Charges: Cost or use charges for temporary facilities are not chargeable to the Owner or Designer. Neither the Owner nor Designer will accept cost or use charges as a basis of claims for Change Order.
- B. Temporary Toilets: Install self-contained toilet units. Use of pit-type privies will not be permitted. Comply with regulations and health codes for the type, number, location, operation, and maintenance of fixtures and facilities. Install where facilities will best serve the Project's needs.
 - 1. Shield toilets to ensure privacy.
 - 2. Provide toilet tissue materials for each facility.

- C. Wash Facilities: Install wash facilities supplied with potable water at convenient locations for personnel involved in handling materials that require wash-up for a health and sanitary condition. Dispose of drainage properly. Supply cleaning compounds appropriate for each condition.
 - 1. Provide paper towels or similar disposable materials for each facility.
 - 2. Provide covered waste containers for used material.
- D. Storage Facilities: The Contractor must provide and secure his own storage of materials in an area identified on-site by the Facility Representative. Areas for use by the Contractor for storage will be identified at the Pre-Construction Meeting.
- E. Construction Parking: Parking at the site will be provided in the areas designated at the Pre-Construction Meeting.
- F. Collection and Disposal of Waste: Collect waste from construction areas and elsewhere daily. Comply with requirements of NFPA 241 for removal of combustible waste material and debris. Enforce requirements strictly. Do not hold materials more than seven (7) days during normal weather or three (3) days when the temperature is expected to rise above 80°F (27°C). Handle hazardous, dangerous, or unsanitary waste materials separately from other waste by containerizing properly. Dispose of material lawfully.

3.3 OPERATION, TERMINATION AND REMOVAL

- A. Supervision: Enforce strict discipline in use of temporary facilities. Limit availability of temporary facilities to essential and intended uses to minimize waste and abuse.
- B. Maintenance: Maintain facilities in good operating condition until removal. Protect from damage by freezing temperatures and similar elements.
 - 1. Maintain operation of temporary enclosures, heating, cooling, humidity control, ventilation, and similar facilities on a 24-hour basis where required to achieve indicated results and to avoid possibility of damage.
- C. Termination and Removal: Unless the Designer requests that it be maintained longer, remove each temporary facility when the need has ended, when replaced by authorized use of a permanent facility, or no later than Substantial Completion. Complete or, if necessary, restore permanent construction that may have been delayed because of interference with the temporary facility. Repair damaged Work, clean exposed surfaces, and replace construction that cannot be satisfactorily repaired.
 - 1. Materials and facilities that constitute temporary facilities are the Contractor's property.

END OF SECTION 015000

SECTION 017100 – CLEANING

PART 1 - GENERAL

1.1 RELATED DOCUMENTS

- A. Drawings and general provisions of the Contract, including General and Supplementary Conditions, Bid Form and other Division 1 Specification Sections, apply to this Section.

1.2 SUMMARY

- A. This Section includes administrative and procedural requirements for cleaning during the Project.
- B. Environmental Requirements: Conduct cleaning and waste-disposal operations in compliance with local laws and ordinances. Comply fully with federal and local environmental and anti-pollution regulations.
 - 1. Do not dispose of volatile wastes, such as mineral spirits, oil, or paint thinner, in storm or sanitary drains.
 - 2. Burning or burying of debris, rubbish, or other waste material on the premises is not permitted.

PART 2 - PRODUCTS

2.1 MATERIALS

- A. Cleaning Agents: Use cleaning materials and agents recommended by the manufacturer or fabricator for the surface to be cleaned. Do not use cleaning agents that are potentially hazardous to health or property or that might damage finished surfaces.

PART 3 - EXECUTION

3.1 PROGRESS CLEANING

- A. General
 - 1. Retain all stored items in an orderly arrangement allowing maximum access, not impeding drainage or traffic, and providing the required protection of materials.
 - 2. Do not allow the accumulation of scrap, debris, waste material, and other items not required for construction of this Work.
 - 3. At least once each week, and more often if necessary, completely remove all scrap, debris, and waste material from the job site.
 - 4. Provide adequate storage for all items awaiting removal from the job site, observing all requirements for fire protection and protection of the ecology.
- B. Site:
 - 1. Daily, inspect the site and pick up all scrap, debris, and waste material. Remove all such items to the place designated for their storage.
 - 2. Weekly, inspect all arrangements of materials stored on the site. Re-stack, tidy, or otherwise service all material arrangements.
 - 3. Maintain the site in a neat and orderly condition at all times.

3.2 FINAL CLEANING

- A. General: Provide final cleaning operations when indicated. Employ experienced workers or professional cleaners for final cleaning. Clean each surface or unit of Work to the condition expected from a commercial building cleaning and maintenance program. Comply with manufacturer's instructions.
- B. Complete the following cleaning operations before requesting inspection for certification of Substantial Completion for the entire Project or a portion of the Project.
 - 1. Clean the Project Site, yard and grounds, in areas disturbed by construction activities, including landscape development areas, of rubbish, waste material, litter, and foreign substances.
 - 2. Sweep paved areas broom clean. Rake grounds that are neither planted nor paved to a smooth, even-textured surface.
 - 3. Remove tools, construction equipment, machinery, and surplus material from the site.
 - 4. Clean exposed exterior hard-surfaced finishes to a dirt-free condition, free of stains, films, and similar foreign substances. Avoid disturbing natural weathering of exterior surfaces.
 - 5. Remove labels that are not permanent labels.
 - 6. Touch up and otherwise repair and restore marred, exposed finishes and surfaces. Replace finishes and surfaces that cannot be satisfactorily repaired or restored or that already show evidence of repair or restoration.
 - a. Do not paint over "UL" and similar labels, including mechanical and electrical nameplates.
 - 7. Wipe surfaces of mechanical and electrical equipment, and similar equipment. Remove excess lubrication, paint and mortar droppings, and other foreign substances.
 - 8. Leave the Project clean and ready for occupancy.
- C. Removal of Protection: Remove temporary protection and facilities installed during construction to protect previously completed installations during the remainder of the construction period.
- D. Compliances: Comply with governing regulations and safety standards for cleaning operations. Remove waste materials from the site and dispose of lawfully.

END OF SECTION 017100

SECTION 024119 - SELECTIVE DEMOLITION

PART 1 - GENERAL

1.1 SUMMARY

A. Section Includes:

1. Demolition and removal of selected portions of building or structure.
2. Salvage of existing items to be reused or recycled.

1.2 DEFINITIONS

- A. Remove: Detach items from existing construction and dispose of them off-site unless indicated to be salvaged or reinstalled.
- B. Remove and Reinstall: Detach items from existing construction, in a manner to prevent damage, prepare for reuse, and reinstall where indicated.
- C. Existing to Remain: Leave existing items that are not to be removed and that are not otherwise indicated to be salvaged or reinstalled.
- D. Dismantle: To remove by disassembling or detaching an item from a surface, using gentle methods and equipment to prevent damage to the item and surfaces; disposing of items unless indicated to be salvaged or reinstalled.

1.3 MATERIALS OWNERSHIP

- A. Unless otherwise indicated, demolition waste becomes property of Contractor.

1.4 FIELD CONDITIONS

- A. Owner will occupy portions of building immediately adjacent to selective demolition area. Conduct selective demolition so Owner's operations will not be disrupted.
- B. Conditions existing at time of inspection for bidding purpose will be maintained by Owner as far as practical.
- C. Notify Owner of discrepancies between existing conditions and Drawings before proceeding with selective demolition.
- D. Hazardous Materials: Existing roofing materials have been tested and the results are negative for asbestos.
 1. If suspected hazardous materials are encountered, do not disturb; immediately notify Owner.

- E. Storage or sale of removed items or materials on-site is not permitted.
- F. Utility Service: Maintain existing utilities indicated to remain in service and protect them against damage during selective demolition operations.

1.5 COORDINATION

- A. Arrange selective demolition schedule so as not to interfere with Owner's operations.

PART 2 - PRODUCTS (NOT APPLICABLE)

PART 3 - EXECUTION

3.1 EXAMINATION

- A. Survey of Existing Conditions: Record existing conditions by use of measured drawings, preconstruction photographs or video.
 - 1. Inventory and record the condition of items to be removed and salvaged. Provide photographs or video of conditions that might be misconstrued as damage caused by salvage operations.

3.2 PROTECTION

- A. Temporary Protection: Provide temporary barricades and other protection required to prevent injury to people and damage to adjacent buildings and facilities to remain.
 - 1. Provide protection to ensure safe passage of people around selective demolition area and to and from occupied portions of building.
 - 2. Provide temporary weather protection, during interval between selective demolition of existing construction on exterior surfaces and new construction, to prevent water leakage and damage to structure and interior areas.
- B. Remove temporary barricades and protections where hazards no longer exist.

3.3 SELECTIVE DEMOLITION, GENERAL

- A. General: Demolish and remove existing construction only to the extent required by new construction and as indicated. Use methods required to complete the Work within limitations of governing regulations and as follows:
 - 1. Proceed with selective demolition systematically.
 - 2. Neatly cut openings and holes plumb, square, and true to dimensions required. Use cutting methods least likely to damage construction to remain or adjoining construction. Use hand tools or small power tools designed for sawing or grinding, not hammering and chopping. Temporarily cover openings to remain.

3. Remove decayed, vermin-infested, or otherwise dangerous or unsuitable materials and promptly dispose of off-site.
 4. Locate selective demolition equipment and remove debris and materials so as not to impose excessive loads on supporting walls, floors, or framing.
 5. Dispose of demolished items and materials promptly.
- B. Site Access and Temporary Controls: Conduct selective demolition and debris-removal operations to ensure minimum interference with roads, streets, walks, walkways, and other adjacent occupied and used facilities.
- C. Removed and Reinstalled Items:
1. Clean and repair items to functional condition adequate for intended reuse.
 2. Protect items from damage during transport and storage.
 3. Reinstall items in locations indicated. Comply with installation requirements for new materials and equipment. Provide connections, supports, and miscellaneous materials necessary to make item functional for use indicated.
- D. Existing Items to Remain: Protect construction indicated to remain against damage and soiling during selective demolition.

3.4 SELECTIVE DEMOLITION PROCEDURES FOR SPECIFIC MATERIALS

- A. Roofing: Remove no more existing roofing than what can be covered in one day by new roofing and so that building interior remains watertight and weathertight.

3.5 DISPOSAL OF DEMOLISHED MATERIALS

- A. Remove demolition waste materials from Project site.
1. Do not allow demolished materials to accumulate on-site.
 2. Remove and transport debris in a manner that will prevent spillage on adjacent surfaces and areas.
 3. Remove debris from elevated portions of building by chute, hoist, or other device that will convey debris to grade level in a controlled descent.
- B. Burning: Do not burn demolished materials.

3.6 CLEANING

- A. Clean adjacent structures and improvements of dust, dirt, and debris caused by selective demolition operations. Return adjacent areas to condition existing before selective demolition operations began.

END OF SECTION 024119

SECTION 075423 - THERMOPLASTIC POLYOLEFIN (TPO) ROOFING

PART 1 - GENERAL

1.1 RELATED DOCUMENTS

- A. Drawings and general provisions of the Contract, including General and Supplementary Conditions and Division 01 Specification Sections, apply to this Section.

1.2 SUMMARY

- A. The project consists of installing a fully adhered fleece-backed TPO roofing system with adhesive as outlined below:
 - 1. The existing roof system has been investigated to assess the condition of the existing materials. It is a modified Bitumen membrane, adhered to a ½" fiberboard and ISO insulation over a concrete deck. The roof was installed in 1997 when the building was built. Wet roofing materials are to be replaced prior to surface prep and fastening.

1.3 PREINSTALLATION MEETINGS

- A. Preliminary Roofing Conference: Before starting roof recovery, conduct conference at Project site.
 - 1. Meet with Owner, Architect, and roofing Installer.
 - 2. Review methods and procedures related to roofing installation, including manufacturer's written instructions.
 - 3. Review and finalize construction schedule, and verify availability of materials, Installer's personnel, equipment, and facilities needed to make progress and avoid delays.
 - 4. Review deck substrate requirements for conditions and finishes, including flatness and fastening.
 - 5. Review structural loading limitations of roof deck during and after roofing.
 - 6. Review base flashings, special roofing details, roof drainage, roof penetrations, equipment curbs, and condition of other construction that affects roofing system.
 - 7. Review governing regulations and requirements for insurance and certificates if applicable.
 - 8. Review temporary protection requirements for roofing system during and after installation.
 - 9. Review roof observation and repair procedures after roofing installation.

1.4 ACTION SUBMITTALS

- A. Product Data: For each type of product.
- B. Shop Drawings: For roofing system. Include plans, elevations, sections, details, and attachments to other work, including:

1. Base flashings and membrane terminations.
- C. Samples for Verification: For the following products:
1. Sheet roofing, of color required.
 2. Roof paver in each color and texture required.
 3. Walkway pad, of color required.

1.5 INFORMATIONAL SUBMITTALS

- A. Qualification Data: For Installer and manufacturer.
- B. Manufacturer Certificates: Signed by roofing manufacturer certifying that roofing system complies with requirements specified in "Performance Requirements" Article.
- C. Sample Warranties: For manufacturer's special warranties.

1.6 CLOSEOUT SUBMITTALS

- A. Maintenance Data: For roofing system to include in maintenance manuals.

1.7 QUALITY ASSURANCE

- A. Manufacturer Qualifications: A qualified manufacturer that is FM Global approved for roofing system identical to that used for this Project.
- B. Installer Qualifications: A qualified firm that is approved, authorized, or licensed by roofing system manufacturer to install manufacturer's product and that is eligible to receive manufacturer's special warranty.

1.8 DELIVERY, STORAGE, AND HANDLING

- A. Deliver roofing materials to Project site in original containers with seals unbroken and labeled with manufacturer's name, product brand name and type, date of manufacture, approval or listing agency markings, and directions for storing and mixing with other components.
- B. Store liquid materials in their original undamaged containers in a clean, dry, protected location and within the temperature range required by roofing system manufacturer. Protect stored liquid material from direct sunlight.
 1. Discard and legally dispose of liquid material that cannot be applied within its stated shelf life.
- C. Protect roof insulation materials from physical damage and from deterioration by sunlight, moisture, soiling, and other sources. Store in a dry location. Comply with insulation manufacturer's written instructions for handling, storing, and protecting during installation.

- D. Handle and store roofing materials, and place equipment in a manner to avoid permanent deflection of deck.

1.9 FIELD CONDITIONS

- A. Weather Limitations: Proceed with installation only when existing and forecasted weather conditions permit roofing system to be installed according to manufacturer's written instructions and warranty requirements.

1.10 WARRANTY

- A. Special Warranty: Manufacturer agrees to repair or replace components of roofing system that fail in materials or workmanship within specified warranty period.

1. Special warranty includes roofing, base flashings, roof insulation, fasteners, cover boards, roofing accessories, and other components of roofing system.
2. Warranty Period: **20** years from date of Substantial Completion.

- B. Special Project Warranty: Submit roofing Installer's warranty, on warranty form at end of this Section, signed by Installer, covering the Work of this Section, including all components of roofing system such as roofing, base flashing, roof insulation, fasteners, cover boards, and walkway products, for the following warranty period:

1. Warranty Period: **Two** years from date of Substantial Completion.

PART 2 - PRODUCTS

2.1 MANUFACTURERS

- A. Source Limitations: Obtain components including roof insulation for roofing system from same manufacturer as membrane roofing.

2.2 PERFORMANCE REQUIREMENTS

- A. General Performance: Installed roofing and base flashings shall withstand specified uplift pressures, thermally induced movement, and exposure to weather without failure due to defective manufacture, fabrication, installation, or other defects in construction. Roofing and base flashings shall remain watertight.

1. Accelerated Weathering: Roofing system shall withstand 2000 hours of exposure when tested according to ASTM G 152, ASTM G 154, or ASTM G 155.
2. Impact Resistance: Roofing system shall resist impact damage when tested according to ASTM D 3746 or ASTM D 4272.

- B. Material Compatibility: Roofing materials shall be compatible with one another and adjacent materials under conditions of service and application required, as demonstrated by roofing manufacturer based on testing and field experience.

- C. FM Global Listing: Roofing, base flashings, and component materials shall comply with requirements in FM Global 4450 or FM Global 4470 as part of a built-up roofing system, and shall be listed in FM Global's "RoofNav" for Class 1 or noncombustible construction, as applicable. Identify materials with FM Global markings.
 - 1. Fire/Windstorm Classification: **Class 1A-90**.
 - 2. Hail-Resistance Rating: **MH**.

2.3 TPO ROOFING

- A. Fleece-backed TPO sheet.
 - 1. Thickness: **115 mil membrane incorporates 60-mil thick white reinforced TPO membrane laminated to a 55-mil thick non-woven polyester fleece-backing resulting in a total thickness of 115-mils.**
 - 2. Roofing systems manufactured by the companies listed below are acceptable provided they are completely equivalent in materials and warranty conditions:
 - a. Carlisle
 - b. GAF
 - c. Versico
 - d. Firestone

2.4 AUXILIARY ROOFING MATERIALS

- A. General: Auxiliary materials recommended by roofing system manufacturer for intended use and compatible with roofing.
- B. Sheet Flashing: Manufacturer's standard unreinforced TPO sheet flashing, **55 mils** thick, minimum, of same color as TPO sheet.
- C. Bonding Adhesive: Manufacturer's standard low rise foam.
- D. Metal Termination Bars: Manufacturer's standard, predrilled stainless-steel or aluminum bars, approximately 1 by 1/8 inch thick; with anchors.
- E. Metal Battens: Manufacturer's standard, aluminum-zinc-alloy-coated or zinc-coated steel sheet, approximately 1 inch wide by 0.05 inch thick, pre-punched.
- F. Fasteners: Factory-coated steel fasteners and metal or plastic plates complying with corrosion-resistance provisions in FM Global 4470, designed for fastening roofing to substrate, and acceptable to roofing system manufacturer.
- G. Miscellaneous Accessories: Provide pourable sealers, preformed cone and vent sheet flashings, preformed inside and outside corner sheet flashings, T-joint covers, lap sealants, termination reglets, and other accessories.
- H. Liquid Flashing: Non-woven, needle punched polyester fabric used with liquid flashing resin.

2.5 ROOF INSULATION

- A. General: Preformed roof insulation boards manufactured by TPO roofing manufacturer, selected from manufacturer's standard sizes suitable for application, of thicknesses indicated and that produce FM Global-approved roof insulation.
- B. Polyisocyanurate Board Insulation: ASTM C 1289, Type II, Class 1, Grade 2, felt or glass-fiber mat facer on both major surfaces.
- C. Tapered Insulation: Provide factory-tapered insulation boards fabricated to slope of 1/4 inch per 12 inches.
- D. Provide preformed saddles, crickets, tapered edge strips, and other insulation shapes where indicated for sloping to drain. Fabricate to slopes indicated.

2.6 INSULATION ACCESSORIES

- A. General: Roof insulation accessories recommended by insulation manufacturer for intended use and compatibility with roofing.
- B. Insulation Adhesive: Insulation manufacturer's recommended adhesive formulated to attach roof insulation to substrate or to another insulation layer as follows:
 - 1. Bead-applied, low-rise, one-component or multicomponent urethane adhesive.
- C. Cover Board: HD Polyisocyanurate Board, 1/2".

2.7 WALKWAYS

- A. Flexible Walkways: Factory-formed, nonporous, heavy-duty, slip-resisting, surface-textured walkway pads or rolls, approximately 3/16 inch thick and acceptable to roofing system manufacturer.

2.8 METAL EDGING

- A. A metal roof cap system with 24 gauge prefinished fascia. Metal color shall be as selected by Owner from standard color selection chart.

2.9 ROOF HATCH RAILING SYSTEM

- A. OSHA compliant prefabricated roof hatch railing with self-closing gate that mounts to the roof hatch curb without penetrating the roof membrane. Aluminum construction with safety yellow powder coat finish..

PART 3 - EXECUTION

3.1 EXAMINATION

- A. Examine substrates, areas, and conditions, with Installer present, for compliance with requirements and other conditions affecting performance of the Work:
- B. Proceed with installation only after unsatisfactory conditions have been corrected.

3.2 PREPARATION

- A. The fleece-back membrane shall be adhered with adhesive directly over existing modified asphaltic sheet.
- B. The substrate must be dry, relatively even, free of protrusions, debris, sharp edges or foreign materials and must be free of accumulated water, ice and snow.
- C. Cut and remove wet insulation, as identified by the Owner, and fill all voids with new insulation of type specified so it is relatively flush (+/- 1/4") with the existing surface.
- D. Any delaminated or blistered areas must be removed and replaced with insulation of equal thickness.
- E. Loose granules must be removed by sweeping, blowing or power brooming. Clean substrate of dust, debris, moisture, and other substances detrimental to roofing installation according to roofing system manufacturer's written instructions. Remove sharp projections.
- F. Prevent materials from entering and clogging roof drains and conductors and from spilling or migrating onto surfaces of other construction. Remove roof-drain plugs when no work is taking place or when rain is forecast.

3.3 ROOFING INSTALLATION, GENERAL

- A. Install roofing system according to roofing system manufacturer's written instructions.
- B. Ensure surface is prepped, cleaned, and ready for adhesive application.
- C. Complete terminations and base flashings and provide temporary seals to prevent water from entering completed sections of roofing system at the end of the workday or when rain is forecast. Remove and discard temporary seals before beginning work on adjoining roofing.

3.4 INSULATION INSTALLATION

- A. Coordinate installing roofing system components so insulation is not exposed to precipitation or left exposed at the end of the workday.
- B. Comply with roofing system and insulation manufacturer's written instructions for installing roof insulation.

- C. Install tapered insulation under area of roofing to conform to slopes indicated.
- D. Install insulation under area of roofing to achieve required thickness. Where overall insulation thickness is 2.7 inches or greater, install two or more layers with joints of each succeeding layer staggered from joints of previous layer a minimum of 6 inches in each direction.
- E. Trim surface of insulation where necessary at roof drains so completed surface is flush and does not restrict flow of water.
- F. Install insulation with long joints of insulation in a continuous straight line with end joints staggered between rows, abutting edges and ends between boards. Fill gaps exceeding 1/4 inch with insulation.
 - 1. Cut and fit insulation within 1/4 inch of nailers, projections, and penetrations.
- G. Adhered Insulation: Install each layer of insulation and adhere to substrate as follows:
 - 1. Set each layer of insulation in ribbons of bead-applied insulation adhesive, firmly pressing and maintaining insulation in place.
- H. Install cover boards over insulation with long joints in continuous straight lines with end joints staggered between rows. Offset joints of insulation below a minimum of 6 inches in each direction. Loosely butt cover boards together and adhere to roof insulation.
 - 1. Adhere cover boards according to requirements in FM Global's "RoofNav" for specified Windstorm Resistance Classification.
 - 2. Fasten cover boards to resist uplift pressure at corners, perimeter, and field of roof.

3.5 ADHERED ROOFING INSTALLATION

- A. Adhere roofing over area to receive roofing according to roofing system manufacturer's written instructions. Unroll roofing and allow to relax before retaining.
- B. Start installation of roofing in presence of roofing system manufacturer's technical personnel.
- C. Accurately align roofing, and maintain uniform side and end laps of minimum dimensions required by manufacturer. Stagger end laps.
- D. Fleece-back membrane shall be adhered to existing modified or approved insulation with a two component, spray applied, low-rise adhesive supplied by the Manufacturer. The adhesive is applied to the substrate only and the membrane is rolled into the wet adhesive, once it has foamed up approximately 3/4" and begins to "string" when touched. Roll the membrane with a 30: wide, 150-pound segmented steel roller to set the membrane into the adhesive.
- E. Apply adhesive beads at 4" O.C. for field and perimeter to achieve specified wind speed warrant and hail coverage.
- F. In addition to adhering, mechanically fasten roofing securely at terminations, penetrations, and perimeter of roofing.
- G. Apply roofing with side laps shingled with slope of roof deck where possible.

- H. Seams: Clean seam areas, overlap roofing, and hot-air weld side and end laps of roofing and sheet flashings according to manufacturer's written instructions, to ensure a watertight seam installation.
 - 1. Test lap edges with probe to verify seam weld continuity. Apply lap sealant to seal cut edges of sheet.
 - 2. Verify field strength of seams a minimum of twice daily, and repair seam sample areas.
 - 3. Repair tears, voids, and lapped seams in roofing that do not comply with requirements.
- I. Spread sealant bed over deck-drain flange at roof drains, and securely seal roofing in place with clamping ring.

3.6 FLASHING

- A. All existing loose flashing must be removed prior to the application of new flashing. New membrane flashing must extend above all existing intact flashings.
- B. At angle changes along walls, curbs, etc., fleece-back membrane must be adhered in low-rise adhesive beads placed directly at the angle change and an additional bead spaced a maximum of 3” away from the first bead.
- C. Flashing of standard penetrations and edge conditions shall conform to the manufacturer’s standard details.

3.7 WALKWAY INSTALLATION

- A. Flexible Walkways: Install walkway products in locations indicated. Heat weld to substrate or adhere walkway products to substrate with compatible adhesive according to roofing system manufacturer's written instructions.

3.8 LIQUID FLASHING

- A. Mix and apply liquid flashing resin in strict accordance with manufacturer’s instructions.
- B. Roll dry polyester fleece onto the liquid resin mix, making sure the smooth side is face up. Press or roll the fleece into the resin to saturate from bottom up prior to applying additional resin on top of surface.

3.9 FIELD QUALITY CONTROL

- A. Final Roof Inspection: Arrange for roofing system manufacturer's technical personnel to inspect roofing installation on completion.
- B. Repair or remove and replace components of roofing system where inspections indicate that they do not comply with specified requirements.

3.10 PROTECTING AND CLEANING

- A. Protect roofing system from damage and wear during remainder of construction period. When remaining construction does not affect or endanger roofing, inspect roofing for deterioration and damage, describing its nature and extent in a written report, with copies to Architect and Owner.
- B. Correct deficiencies in or remove roofing system that does not comply with requirements, repair substrates, and repair or reinstall roofing system to a condition free of damage and deterioration at time of Substantial Completion and according to warranty requirements.
- C. Clean overspray and spillage from adjacent construction using cleaning agents and procedures recommended by manufacturer of affected construction.

3.11 ROOFING INSTALLER'S WARRANTY

- A. WHEREAS _____ of _____, herein called the "Roofing Installer," has performed roofing and associated work ("work") on the following project:
 - 1. Owner: **<Insert name of Owner>**.
 - 2. Address: **<Insert address>**.
 - 3. Building Name/Type: **<Insert information>**.
 - 4. Address: **<Insert address>**.
 - 5. Area of Work: **<Insert information>**.
 - 6. Acceptance Date: _____.
 - 7. Warranty Period: **<Insert time>**.
 - 8. Expiration Date: _____.
- B. AND WHEREAS Roofing Installer has contracted (either directly with Owner or indirectly as a subcontractor) to warrant said work against leaks and faulty or defective materials and workmanship for designated Warranty Period,
- C. NOW THEREFORE Roofing Installer hereby warrants, subject to terms and conditions herein set forth, that during Warranty Period he will, at his own cost and expense, make or cause to be made such repairs to or replacements of said work as are necessary to correct faulty and defective work and as are necessary to maintain said work in a watertight condition.
- D. This Warranty is made subject to the following terms and conditions:
 - 1. Specifically excluded from this Warranty are damages to work and other parts of the building, and to building contents, caused by:
 - a. lightning;
 - b. peak gust wind speed exceeding **72 mph**;
 - c. fire;
 - d. failure of roofing system substrate, including cracking, settlement, excessive deflection, deterioration, and decomposition;
 - e. faulty construction of parapet walls, copings, chimneys, skylights, vents, equipment supports, and other edge conditions and penetrations of the work;
 - f. vapor condensation on bottom of roofing; and

- g. activity on roofing by others, including construction contractors, maintenance personnel, other persons, and animals, whether authorized or unauthorized by Owner.
2. When work has been damaged by any of foregoing causes, Warranty shall be null and void until such damage has been repaired by Roofing Installer and until cost and expense thereof have been paid by Owner or by another responsible party so designated.
 3. Roofing Installer is responsible for damage to work covered by this Warranty but is not liable for consequential damages to building or building contents resulting from leaks or faults or defects of work.
 4. During Warranty Period, if Owner allows alteration of work by anyone other than Roofing Installer, including cutting, patching, and maintenance in connection with penetrations, attachment of other work, and positioning of anything on roof, this Warranty shall become null and void on date of said alterations, but only to the extent said alterations affect work covered by this Warranty. If Owner engages Roofing Installer to perform said alterations, Warranty shall not become null and void unless Roofing Installer, before starting said work, shall have notified Owner in writing, showing reasonable cause for claim, that said alterations would likely damage or deteriorate work, thereby reasonably justifying a limitation or termination of this Warranty.
 5. During Warranty Period, if original use of roof is changed and it becomes used for, but was not originally specified for, a promenade, work deck, spray-cooled surface, flooded basin, or other use or service more severe than originally specified, this Warranty shall become null and void on date of said change, but only to the extent said change affects work covered by this Warranty.
 6. Owner shall promptly notify Roofing Installer of observed, known, or suspected leaks, defects, or deterioration and shall afford reasonable opportunity for Roofing Installer to inspect work and to examine evidence of such leaks, defects, or deterioration.
 7. This Warranty is recognized to be the only warranty of Roofing Installer on said work and shall not operate to restrict or cut off Owner from other remedies and resources lawfully available to Owner in cases of roofing failure. Specifically, this Warranty shall not operate to relieve Roofing Installer of responsibility for performance of original work according to requirements of the Contract Documents, regardless of whether Contract was a contract directly with Owner or a subcontract with Owner's General Contractor.

E. IN WITNESS THEREOF, this instrument has been duly executed this _____ day of _____, _____.

1. Authorized Signature: _____.
2. Name: _____.
3. Title: _____.

END OF SECTION 075423

SECTION 079200 - JOINT SEALANTS

PART 1 - GENERAL

1.1 RELATED DOCUMENTS

- A. Drawings and general provisions of the Contract, including General and Supplementary Conditions and Division 01 Specification Sections, apply to this Section.

1.2 SUMMARY

- A. Section Includes:
 - 1. Polyurethane joint sealants.

1.3 ACTION SUBMITTALS

- A. Product Data: For each joint-sealant product.

1.4 QUALITY ASSURANCE

- A. Installer Qualifications: Qualified to perform work specified by reason of experience or training provided by product manufacturer.

1.5 FIELD CONDITIONS

- A. Do not proceed with installation of joint sealants under the following conditions:
 - 1. When ambient and substrate temperature conditions are outside limits permitted by joint-sealant manufacturer or are below 40 deg.
 - 2. When joint substrates are wet.
 - 3. Where joint widths are less than those allowed by joint-sealant manufacturer for applications indicated.
 - 4. Where contaminants capable of interfering with adhesion have not yet been removed from joint substrates.
- B. Mock-Ups:
 - 1. At start of project, perform mock-up of required sealant work at one area of building. Perform minimum of one mock-up for each different combination of substrates to be sealed. Coordinate mock-up areas with Owner.
 - 2. Leave approved mock-ups in place to establish standards and guidelines for acceptable application of sealant work and acceptable appearance.

1.6 DELIVERY, STORAGE, AND HANDLING

- A. Deliver products in original factory packaging bearing identification of product, manufacturer and batch number.
- B. Store products in original, unopened containers in clean, dry area away from heat and direct sunlight.

1.7 PROJECT CONDITIONS

Do not use products under conditions of precipitation or in inclement or freezing weather. Verify that substrates are clean, dry and frost-free. Use appropriate measures for protection and supplementary heating to ensure proper curing conditions in accordance with manufacturer's recommendations if application during inclement weather occurs.

PART 2 - PRODUCTS

2.1 JOINT SEALANTS, GENERAL

- A. Compatibility: Provide joint sealants, backings, and other related materials that are compatible with one another and with joint substrates under conditions of service and application, as demonstrated by joint-sealant manufacturer, based on testing and field experience.
- B. Colors of Exposed Joint Sealants: As selected by Owner from manufacturer's full range.

2.2 POLYURETHANE JOINT SEALANTS

- A. One-component, high-performance, non-priming, gun-grade, elastomeric polyurethane sealant.
 - 1. Acceptable Product: MasterSeal NP 1 (formerly Sonolastic NP 1) by BASF.

2.3 MISCELLANEOUS MATERIALS

- A. Primer: Material recommended by joint-sealant manufacturer where required for adhesion of sealant to joint substrates indicated, as determined from preconstruction joint-sealant-substrate tests and field tests.
- B. Cleaners for Nonporous Surfaces: Chemical cleaners acceptable to manufacturers of sealants and sealant backing materials, free of oily residues or other substances capable of staining or harming joint substrates and adjacent nonporous surfaces in any way, and formulated to promote optimum adhesion of sealants to joint substrates.
- C. Masking Tape: Nonstaining, nonabsorbent material compatible with joint sealants and surfaces adjacent to joints.

PART 3 - EXECUTION

3.1 EXAMINATION

- A. Examine joints indicated to receive joint sealants, with Installer present, for compliance with requirements for joint configuration, installation tolerances, and other conditions affecting performance of the Work.
- B. Proceed with installation only after unsatisfactory conditions have been corrected.

3.2 PREPARATION

- A. Surface Cleaning of Joints: Clean out joints immediately before installing joint sealants to comply with joint-sealant manufacturer's written instructions and the following requirements:
 - 1. Remove all foreign material from joint substrates that could interfere with adhesion of joint sealant, including dust, paints (except for permanent, protective coatings tested and approved for sealant adhesion and compatibility by sealant manufacturer), old joint sealants, oil, grease, waterproofing, water repellents, water, surface dirt, and frost.
 - 2. Clean porous joint substrate surfaces by brushing, grinding, mechanical abrading, or a combination of these methods to produce a clean, sound substrate capable of developing optimum bond with joint sealants. Remove loose particles remaining after cleaning operations above by vacuuming or blowing out joints with oil-free compressed air.
- B. Masking Tape: Use masking tape where required to prevent contact of sealant or primer with adjoining surfaces that otherwise would be permanently stained or damaged by such contact or by cleaning methods required to remove sealant smears. Remove tape immediately after tooling without disturbing joint seal.

3.3 INSTALLATION OF JOINT SEALANTS

- A. General: Comply with joint-sealant manufacturer's written installation instructions for products and applications indicated, unless more stringent requirements apply.
- B. Install sealant backings of kind indicated to support sealants during application and at position required to produce cross-sectional shapes and depths of installed sealants relative to joint widths that allow optimum sealant movement capability.
 - 1. Do not leave gaps between ends of sealant backings.
 - 2. Do not stretch, twist, puncture, or tear sealant backings.
 - 3. Remove absorbent sealant backings that have become wet before sealant application, and replace them with dry materials.
- C. Install bond-breaker tape behind sealants where sealant backings are not used between sealants and backs of joints.
- D. Install sealants using proven techniques that comply with the following and at the same time backings are installed:

1. Place sealants so they directly contact and fully wet joint substrates.
 2. Completely fill recesses in each joint configuration.
 3. Produce uniform, cross-sectional shapes and depths relative to joint widths that allow optimum sealant movement capability.
- E. Tooling of Nonsag Sealants: Immediately after sealant application and before skinning or curing begins, tool sealants according to requirements specified in subparagraphs below to form smooth, uniform beads of configuration indicated; to eliminate air pockets; and to ensure contact and adhesion of sealant with sides of joint.
1. Use dry tooling method. Do not use tooling agents such as soapy water or solvents that have not been approved by sealant manufacturer. Remove excess sealant from surfaces adjacent to joints.
 2. Use tooling agents that are approved in writing by sealant manufacturer and that do not discolor sealants or adjacent surfaces.
 3. Provide concave joint profile unless otherwise indicated.
 - a. Use masking tape to protect surfaces adjacent to recessed tooled joints.

3.4 CLEANING

- A. Clean off excess sealant or sealant smears adjacent to joints as the Work progresses by methods and with cleaning materials approved in writing by manufacturers of joint sealants and of products in which joints occur.

3.5 PROTECTION

- A. Protect joint sealants during and after curing period from contact with contaminating substances and from damage resulting from construction operations or other causes so sealants are without deterioration or damage at time of Substantial Completion. If, despite such protection, damage or deterioration occurs, cut out, remove, and repair damaged or deteriorated joint sealants immediately so installations with repaired areas are indistinguishable from original work.

END OF SECTION 079200

Appendix A: Asbestos Test Results



July 11, 2019

Ms. Mandy Moore
Odimo
601 East 63rd Street, No. 205
Kansas City, Missouri 64110

Re: Limited Asbestos Sampling
DOLIR State Office Building Roof
1410 Genessee Street
Kansas City, Missouri 64102
Project No. 01912-01

Dear Ms. Moore,

New Horizons Enterprises, LLC (New Horizons) is pleased to submit the enclosed documentation of the limited asbestos sampling of the roof system at the above-referenced address.

On June 28, 2019, New Horizons' Missouri accredited asbestos inspector, Jacob Nelson, collected 13 samples (23 total layers) from the roof system. Samples collected include various homogeneous areas of flashing, caulking, tar, tar paper, shingles, and roof insulation. The samples were sent to Quantem Laboratories (Quantem) in Oklahoma City, Oklahoma. Polarized Light Microscopic (PLM) analysis was used to determine if the samples were positive for asbestos. Laboratory results confirmed no presence of asbestos containing material (ACM) in the materials sampled. It should be noted, roof 3 was not sampled as the core visually appeared to be the same as roof 1. Roof 1 tested negative for asbestos. The asbestos sample summary sheet can be found in Appendix One. The Quantem laboratory results and a map of sample locations are attached to this letter as Appendix Two and Three, respectively. Appendix Four contains the inspector's license certificate.

New Horizons appreciates the opportunity to perform these services for you. Please call me with any questions or concerns regarding these results, (816) 569-5256.

Sincerely,

Jacob Nelson
Environmental Scientist
New Horizons Enterprises, LLC

Appendix One
Sample Summary Sheet
(One Page)

Table 1: Summary of Asbestos Samples and Results
1410 Genessee Street
Kansas City, Missouri 64102

Sample Number	Material Description	Floor	Location(s)	Condition	Friable	Sample Analysis	Location(s) of Asbestos Containing Materials	Quantities
S-H1-1	Grey Shingle Membrane and Black Tar	R	Roof 1	G	N	Shingle - ND, Tar - ND		
S-H1-2	Grey Shingle Membrane and Black Tar	R	Roof 1	G	N	Shingle - ND, Tar - ND		
F-H1-1	Silver Flashing and Black Tar	R	Roof 1	G	N	Flashing - ND, Tar - ND		
F-H1-2	Silver Flashing and Black Tar	R	Roof 1	G	N	Flashing - ND, Tar - ND		
F-H2-1	Black Vent Flashing	R	Roof 2	G	N	Flashing - ND		
F-H2-2	Black Vent Flashing	R	Roof 2	G	N	Flashing - ND		
F-H3-1	Black Seam Flashing	R	Roof 2	G	N	Flashing - ND		
F-H3-2	Black Seam Flashing	R	Roof 2	G	N	Flashing - ND		
C-H1-1	Grey Metal Post Caulk	R	Roof 2	G	N	Caulk - ND		
C-H1-2	Grey Metal Post Caulk	R	Roof 2	G	N	Caulk - ND		
C-H2-1	Grey HVAC Caulk	R	Roof 2	G	N	Caulk - ND		
ROOF-H1-1	Roof Core: Grey Shingle, Black Tar Paper, Brown Insulation, White Insulation	R	Roof 1	G	N	Shingle - ND, Tar Paper - ND, Brown Insulation - ND, White Insulation - ND		
ROOF-H2-1	Roof Core: Grey Shingle, Black Tar Paper, Brown Insulation, Yellow Insulation	R	Roof 2	G	N	Shingle - ND, Tar Paper - ND, Brown Insulation - ND, Yellow Insulation - ND		

ND - NONE DETECTED
G- Good, F - Fair, P - Poor
Y- Yes, N - No

Appendix Two
Laboratory Analysis
(Six Pages)



2033 HERITAGE PARK DR, OKLAHOMA CITY, OK 73120 | 1.800.822.1650

Polarized Light Microscopy Asbestos Analysis Report

Quantem Lab No. 311615	Client: New Horizons Enterprises
Account Number: B648	P.O. Box 681183
	Kansas City, MO 64168
Date Received: 07/01/2019	
Received By: 0	
Date Analyzed: 07/05/2019	Project: 1410 Genessee
Analyzed By: Carter W. Cox	Project Location: 1410 Genessee St KC, MO
Methodology: EPA/600/R-93/116	Project Number: N/A

Quantem Sample ID	Client Sample ID	Composition	Color / Description	Asbestos (%)	Non-Asbestos Fiber (%)	Non Fibrous
001	S-H1-1	Layered	Gray Shingle	Asbestos Not Present	Synthetic 25	Tar Quartz
001a		Layered	Black Tar	Asbestos Not Present	NA	Tar
002	S-H1-2	Layered	Gray Shingle	Asbestos Not Present	Synthetic 25	Tar Quartz
002a		Layered	Black Tar	Asbestos Not Present	NA	Tar
003	F-H1-1	Layered	Silver Paint	Asbestos Not Present	NA	Paint
003a		Layered	Black Sealant	Asbestos Not Present	Cellulose 10	Tar
004	F-H1-2	Layered	Silver Paint	Asbestos Not Present	NA	Paint

Unless otherwise noted, upon receipt the condition of the sample was acceptable for analysis.

Quantem is a NVLAP accredited PLM laboratory (Lab Code: 101959-0). This report relates only to the specific items tested. NVLAP accreditation applies only to analysis performed utilizing EPA/600/M4-82-020 and EPA/600/R-93/116 methods. This report may not be used to claim product endorsement by NVLAP or any agency of the US Government. This report may not be reproduced except in full, without the written approval of the laboratory.



2033 HERITAGE PARK DR, OKLAHOMA CITY, OK 73120 | 1.800.822.1650

Polarized Light Microscopy Asbestos Analysis Report

Quantem Lab No. 311615	Client: New Horizons Enterprises
Account Number: B648	P.O. Box 681183
	Kansas City, MO 64168
Date Received: 07/01/2019	
Received By: 0	
Date Analyzed: 07/05/2019	Project: 1410 Genessee
Analyzed By: Carter W. Cox	Project Location: 1410 Genessee St KC, MO
Methodology: EPA/600/R-93/116	Project Number: N/A

Quantem Sample ID	Client Sample ID	Composition	Color / Description	Asbestos (%)	Non-Asbestos Fiber (%)	Non Fibrous
004a		Layered	Black Sealant	Asbestos Not Present	Cellulose 10	Tar
005	F-H2-1	Homogeneous	Black Sealant	Asbestos Not Present	Cellulose 10	Tar
006	F-H2-2	Homogeneous	Black Sealant	Asbestos Not Present	Cellulose 10	Tar
007	F-H3-1	Homogeneous	Black Sealant	Asbestos Not Present	Cellulose 10	Tar
008	F-H3-2	Homogeneous	Black Sealant	Asbestos Not Present	Cellulose 10	Tar
009	C-H1-1	Homogeneous	Gray Caulk	Asbestos Not Present	NA	CaCO3 Binder

Unless otherwise noted, upon receipt the condition of the sample was acceptable for analysis.

Quantem is a NVLAP accredited PLM laboratory (Lab Code: 101959-0). This report relates only to the specific items tested. NVLAP accreditation applies only to analysis performed utilizing EPA/600/M4-82-020 and EPA/600/R-93/116 methods. This report may not be used to claim product endorsement by NVLAP or any agency of the US Government. This report may not be reproduced except in full, without the written approval of the laboratory.



2033 HERITAGE PARK DR, OKLAHOMA CITY, OK 73120 | 1.800.822.1650

Polarized Light Microscopy Asbestos Analysis Report

Quantem Lab No. 311615	Client: New Horizons Enterprises
Account Number: B648	P.O. Box 681183
	Kansas City, MO 64168
Date Received: 07/01/2019	
Received By: 0	
Date Analyzed: 07/05/2019	Project: 1410 Genessee
Analyzed By: Carter W. Cox	Project Location: 1410 Genessee St KC, MO
Methodology: EPA/600/R-93/116	Project Number: N/A

Quantem Sample ID	Client Sample ID	Composition	Color / Description	Asbestos (%)	Non-Asbestos Fiber (%)	Non Fibrous
010	C-H1-2	Homogeneous	Gray Caulk	Asbestos Not Present	NA	CaCO3 Binder
011	ROOF-H1-1	Layered	Gray Shingle	Asbestos Not Present	Synthetic	25 Tar Quartz
011a		Layered	Black Tar Paper	Asbestos Not Present	Glass Fiber	60 Tar
011b		Layered	Brown Insulation	Asbestos Not Present	Cellulose	100
011c		Layered	White Insulation	Asbestos Not Present	NA	Foam
012	ROOF-H2-1	Layered	Gray Shingle	Asbestos Not Present	Synthetic	25 Tar Quartz
012a		Layered	Black Tar Paper	Asbestos Not Present	Cellulose	60 Tar

Unless otherwise noted, upon receipt the condition of the sample was acceptable for analysis.

Quantem is a NVLAP accredited PLM laboratory (Lab Code: 101959-0). This report relates only to the specific items tested. NVLAP accreditation applies only to analysis performed utilizing EPA/600/M4-82-020 and EPA/600/R-93/116 methods. This report may not be used to claim product endorsement by NVLAP or any agency of the US Government. This report may not be reproduced except in full, without the written approval of the laboratory.



2033 HERITAGE PARK DR, OKLAHOMA CITY, OK 73120 | 1.800.822.1650

Polarized Light Microscopy Asbestos Analysis Report

Quantem Lab No. 311615	Client: New Horizons Enterprises
Account Number: B648	P.O. Box 681183
	Kansas City, MO 64168
Date Received: 07/01/2019	
Received By: 0	
Date Analyzed: 07/05/2019	Project: 1410 Genessee
Analyzed By: Carter W. Cox	Project Location: 1410 Genessee St KC, MO
Methodology: EPA/600/R-93/116	Project Number: N/A

Quantem Sample ID	Client Sample ID	Composition	Color / Description	Asbestos (%)	Non-Asbestos Fiber (%)	Non Fibrous
012b		Layered	Brown Insulation	Asbestos Not Present	Cellulose 100	
012c		Layered	Yellow Insulation	Asbestos Not Present	NA	Foam
013	C-H2-1	Homogeneous	Gray Caulk	Asbestos Not Present	NA	Silicone

Carter Cox

Carter W. Cox, Analyst

7/5/2019

Date of Report

Unless otherwise noted, upon receipt the condition of the sample was acceptable for analysis.

Quantem is a NVLAP accredited PLM laboratory (Lab Code: 101959-0). This report relates only to the specific items tested. NVLAP accreditation applies only to analysis performed utilizing EPA/600/M4-82-020 and EPA/600/R-93/116 methods. This report may not be used to claim product endorsement by NVLAP or any agency of the US Government. This report may not be reproduced except in full, without the written approval of the laboratory.



ASBESTOS CHAIN OF CUSTODY

2033 Heritage Park Drive, Oklahoma City, OK 73120-7502
 (800) 822-1650 • (405) 755-7272 • Fax: (405) 755-2058

311615

LEGAL DOCUMENT - PLEASE PRINT LEGIBLY

For Lab Use Only	
Lab No. _____	Accept <input type="checkbox"/> Reject <input type="checkbox"/>
Report Results (<input checked="" type="checkbox"/> one box)	
<input checked="" type="checkbox"/> QuantEM Website	<input type="checkbox"/> Other _____

Contact Information		Project Information	
Company: NEW HORIZONS LLC.	Phone: (816) 569-5256	Project Name: 1410 Genessee	
Contact: Jake Nelson	Cell Phone: (816) 651-3174	Project Location: 1410 Genessee St, KCMO	
Account #:	E-mail: jake@newhorizons-llc.com	Project ID:	
SAMPLED BY: Name: Jake Nelson	Date: 6/28/2019	P.O. Number:	

RELINQUISHED BY	DATE & TIME	VIA	RECEIVED BY	DATE & TIME
			<i>E. Hamel</i>	7-1-2019
				10 am

REQUESTED SERVICES (Please the Appropriate Boxes)

PLM	PLM	TEM	TEM	TURNAROUND TIME
<input checked="" type="checkbox"/> Bulk Analysis (EPA 600/R-93/116)	<input type="checkbox"/> Vermiculite Attic Insulation (EPA 600/R-04/004)	<input type="checkbox"/> Air- AHERA	<input type="checkbox"/> Bulk- Presence / Absence EPA600/R-93/116	<input type="checkbox"/> Rush
<input type="checkbox"/> 400 Point Count	<input type="checkbox"/> Other	<input type="checkbox"/> Air- NIOSH 7402	<input type="checkbox"/> Bulk- Quantitative [weight%]- Chatfield	<input type="checkbox"/> Same Day
<input type="checkbox"/> 1000 Point Count		<input type="checkbox"/> Air- ISO 10312	<input type="checkbox"/> Dust- Presence / Absence	<input type="checkbox"/> 24 - Hour
<input type="checkbox"/> Gravimetric Preparation	PCM	<input type="checkbox"/> Drinking Water- EPA 100.2	<input type="checkbox"/> Dust- Quantitative [fibers/sq.cm]- ASTM D5755	<input checked="" type="checkbox"/> 3 - Day
<input type="checkbox"/> Particle ID	<input type="checkbox"/> NIOSH 7400	<input type="checkbox"/> Waste Water- EPA 600/4-83-043	<input type="checkbox"/> Other	<input type="checkbox"/> 5 - Day

No.	Sample ID (10 Characters Max)	<input checked="" type="checkbox"/> To Be Analyzed	Color	Description	Volume / Area (as applicable)	Comments / Notes
1	S-H1-1	<input checked="" type="checkbox"/>	GREY	SHINGLE		
2	S-H1-2	<input checked="" type="checkbox"/>	GREY	SHINGLE		
3	F-H1-1	<input checked="" type="checkbox"/>	SILVER	FLASHING		
4	F-H1-2	<input checked="" type="checkbox"/>	SILVER	FLASHING		
5	F-H2-1	<input checked="" type="checkbox"/>	BLACK	FLASHING		
6	F-H2-2	<input checked="" type="checkbox"/>	BLACK	FLASHING		
7	F-H3-1	<input checked="" type="checkbox"/>	BLACK	FLASHING		
8	F-H3-2	<input checked="" type="checkbox"/>	BLACK	FLASHING		
9	C-H1-1	<input checked="" type="checkbox"/>	GREY	CAULKING		
10	C-H1-2	<input checked="" type="checkbox"/>	GREY	CAULKING		



ASBESTOS CHAIN OF CUSTODY

2033 Heritage Park Drive, Oklahoma City, OK 73120-7502
 (800) 822-1650 • (405) 755-7272 • Fax: (405) 755-2058

LEGAL DOCUMENT - PLEASE PRINT LEGIBLY

311615
 Page 2 of 2

For Lab Use Only	
Lab No. _____	
Accept	Reject

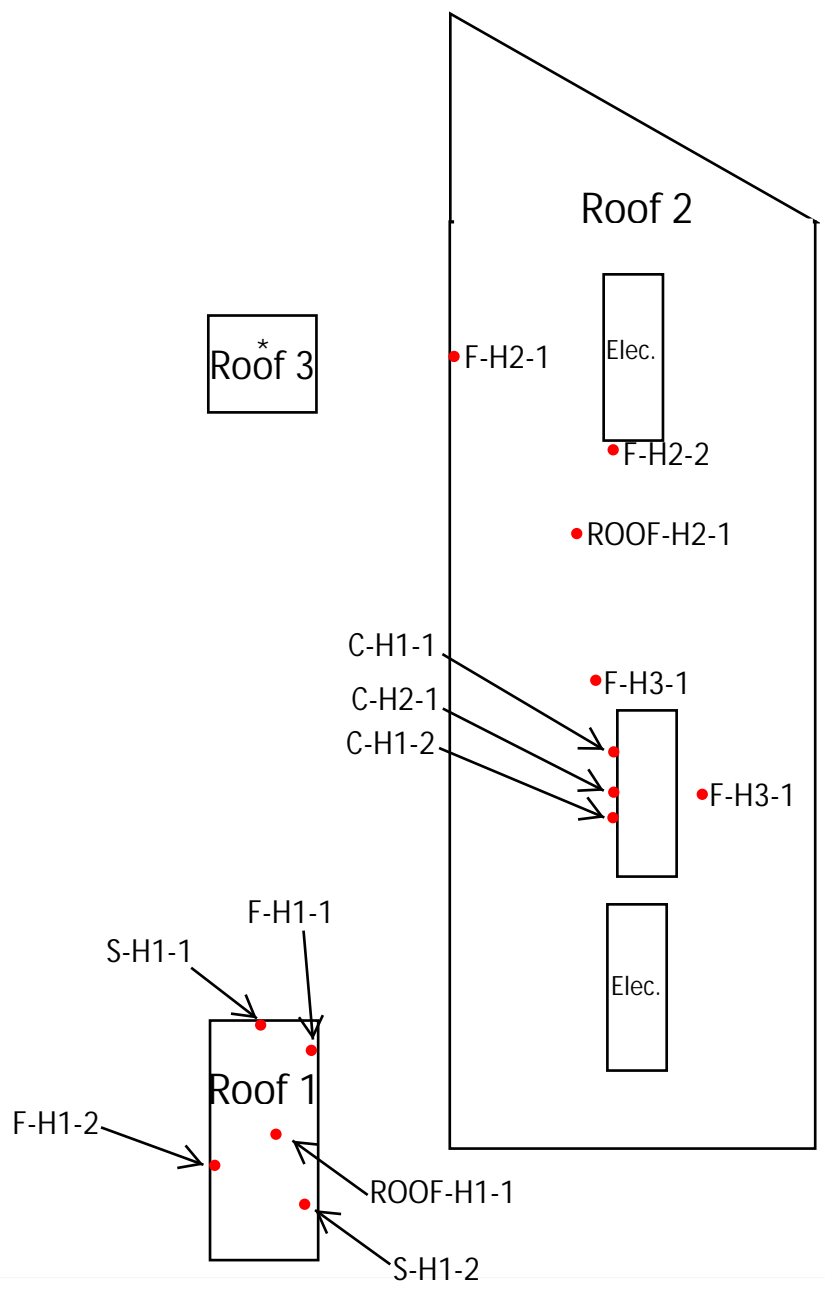
Project Information		
Company: NEW HORIZONS LLC.	Project Name: 1410 Genessee	Project Location: 1410 Genessee St, KCMO

No.	Sample ID (10 Characters Max)	<input checked="" type="checkbox"/> To Be Analyzed	Color	Description	Volume / Area (as applicable)	Comments / Notes
11	ROOF-H1-1	<input checked="" type="checkbox"/>	BLACK	ROOF CORE		
12	ROOF-H2-1	<input checked="" type="checkbox"/>	BLACK	ROOF CORE		
13	C-H2-1	<input checked="" type="checkbox"/>	grey	Caulking		
14		<input type="checkbox"/>				
15		<input type="checkbox"/>				
16		<input type="checkbox"/>				
17		<input type="checkbox"/>				
18		<input type="checkbox"/>				
19		<input type="checkbox"/>				
20		<input type="checkbox"/>				
21		<input type="checkbox"/>				
22		<input type="checkbox"/>				
23		<input type="checkbox"/>				
24		<input type="checkbox"/>				
25		<input type="checkbox"/>				
26		<input type="checkbox"/>				
27		<input type="checkbox"/>				
28		<input type="checkbox"/>				
29		<input type="checkbox"/>				
30		<input type="checkbox"/>				

Appendix Three
Sample Location Map
(One Page)

Sample Location Map
1410 Genessee St.
Kansas City, Missouri 64102
Roof

- Sample Location
- * Roof 3 - Same Materials as Roof 1



Appendix Four
Inspector's Certification

(One Page)

CERTIFICATION NUMBER
7122032719MOII20338

THIS CERTIFIES
Jacob P Nelson
HAS COMPLETED THE CERTIFICATION
REQUIREMENTS FOR
Inspector



APPROVED **04/02/2019**
EXPIRES **04/02/2020**

TRAINING DATE **03/27/2019**
[Signature]
Director of Air Pollution Control Program

APPENDIX B – LEAD TEST RESULTS



July 11, 2019

Ms. Mandy Moore
Odimo
601 East 63rd Street, No. 205
Kansas City, Missouri 64110

Re: Limited Lead-Based Paint Testing
DOLIR State Office Building
1410 Genessee Street, Roof
Kansas City, Missouri 64102

Dear Ms. Moore,

New Horizons Enterprises, LLC (New Horizons) is pleased to submit the enclosed documentation of limited lead-based paint (LBP) testing results for the roof system of the above-mentioned address. The objective of this limited LBP survey is to identify LBP on the building roof system prior to renovation.

On June 28, 2019, Missouri-licensed lead inspector Amy Peacock (Missouri License Number 181015-300005655) took a total of six XRF readings on the roof system at 1410 Genessee Street for lead-based paint (LBP). Ms. Peacock's inspector's license certificate is included in Attachment 1. The building roof system consisted of three separate roofs – Roof 1, Roof 2, and Roof 3. There were no painted surfaces on Roofs 1 and 3. Surfaces tested on Roof 2 include metal I-beams, metal platforms, metal mechanical equipment, and metal pipe. The XRF analyzer employed for the survey is a Heuresis Pbi200, Serial #1805. The Missouri Radiation Control Program registration number for the instrument is #6346. The testing did not confirm the presence of LBP on the roof system. An XRF sample summary sheet can be found in Attachment 2. A map of the roofs, including sample locations, can be found in Attachment 3. The XRF performance characteristics sheet can be found in Attachment 4. During renovation activities all federal, state, and local standards will need to be met. All untested areas should be assumed to be positive for LBP unless testing confirms otherwise.

New Horizons appreciates the opportunity to perform these services for you. Please call me with any questions or concerns regarding these results, (816) 569-5256.

Sincerely,

Amy Peacock
Environmental Scientist
New Horizons Enterprises, LLC

Attachment 1

Inspector's Certification

(Three Pages)



**Missouri Department of Health
and Senior Services**

Lead Occupation License - ID Badge
License Number: 181015-300005655

Lead Risk Assessor



**Amy
Peacock**

Expiration Date: 10/15/2020

STATE OF MISSOURI
DEPARTMENT OF HEALTH AND SENIOR SERVICES

LEAD OCCUPATION LICENSE REGISTRATION

Issued to:

Amy E. Peacock

The person, firm or corporation whose name appears on this certificate has fulfilled the requirements for licensure as set forth in the Missouri Revised Statutes 701.300-701.338, as long as not suspended or revoked, and is hereby authorized to engage in the activity listed below.

Lead Risk Assessor
Category of License

Issuance Date: **10/15/2018**
Expiration Date: **10/15/2020**
License Number: **181015-300005655**



A handwritten signature in black ink, appearing to read "Randall W. Williams".

Randall W. Williams, MD, FACOG
Director
Department of Health and Senior Services



NEW HORIZONS_{LLC}

"Innovative Environmental Solutions"

DOES HEREBY CERTIFY THAT

AMY PEACOCK

HAS SUCCESSFULLY COMPLETED

**The Heuresis Corporation training materials presented with regard to the Pb200i
INSTRUMENT OPERATOR TRAINING**

November 20, 2018

DATE OF COMPLETION



MACKENZIE DAVIS
INSTRUCTOR