

ADDENDUM NO. 2

TO: PLANS AND SPECIFICATIONS FOR STATE OF MISSOURI

HVAC Improvements for Infection Control
Mexico Veterans Home
Mexico, Missouri
PROJECT NO.: U2301-03

Bid Opening Date: 1:30 PM, Thursday, August 1, 2024 (Changed per Addendum 1)

Bidders are hereby informed that the construction Plans and/or Specifications are modified as follows:

SPECIFICATION CHANGES:

1. Section 088000 – Glazing
 - a. REMOVE section and its related submittals in its entirety as it has been removed from the scope of work.
2. Section 237416.11 – Packaged Small Capacity, Rooftop Air-Condition Units
 - a. ADD 2.2.A.6 as follows:
 6. Greenheck
3. Section 233713.23 – Registers and Grilles
 - a. ADD 2.1.A.1.d as follows:
 - d. Kruegar

DRAWINGS CHANGES:

1. Sheet S-151 – See Attached details 1 and 2 on sheet S-151
 - a. Detail 1: Keyed note 103 is not required at column 2-L.
 - b. Additional keyed note 103 call outs were added to provide clarity.
2. Sheet A-401 – See Attached details A, C, and Window Schedule on sheet A-401
 - a. Removal of plywood from casement frame on windows W1 and W6 has been removed from scope of work.
3. Sheet A-402 – See Attached details A, C, and Window Schedule on sheet A-402
 - a. Installation of new glazing within casement frame on windows W1 and W6 has been removed from scope of work.

GENERAL COMMENTS:

1. The Pre-Bid Meeting was held July 15, 2024. The attendance sheet is included in the attachment.
2. For site access prior to bid date, contact Jeff Smithee at 573-220-5170.
3. **For questions regarding bidding requirements or MBE/WBE/SDVE goals contact Mandy Roberson Contract Specialist at 573-522-0074 or Mandy.Roberson@oa.mo.gov**
4. **As of July 1, 2020**, all MBE, WBE, and MBE/WBE contractors, subcontractors, and suppliers must be certified by the State of Missouri, Office of Equal Opportunity. No other certifications from other Missouri certifying agencies will be accepted.
5. **Coordination:**
 - a. Combination louver damper (L-1):It is acceptable to provide a louver and damper as individual components installed together in a sleeve if the assembly will fit in the space available.

ATTACHMENTS:

- A. Pre-Bid Meeting Sign-In Sheet (2 Pages)
- B. Sheet S-151 Details 1 and 2 (2 Pages)
- C. Sheet A-401 Details A, C and Window Schedule (1 Page)
- D. Sheet A-402 Details A, C and Window Schedule (1 Page)

END ADDENDUM 2

Pre-Bid Meeting Attendance Sheet
 HVAC Improvements for Infection Control
 Mexico Veterans Home
 Mexico, Missouri

Project No. U2301-03
 7.15.24 & 10 A.M.

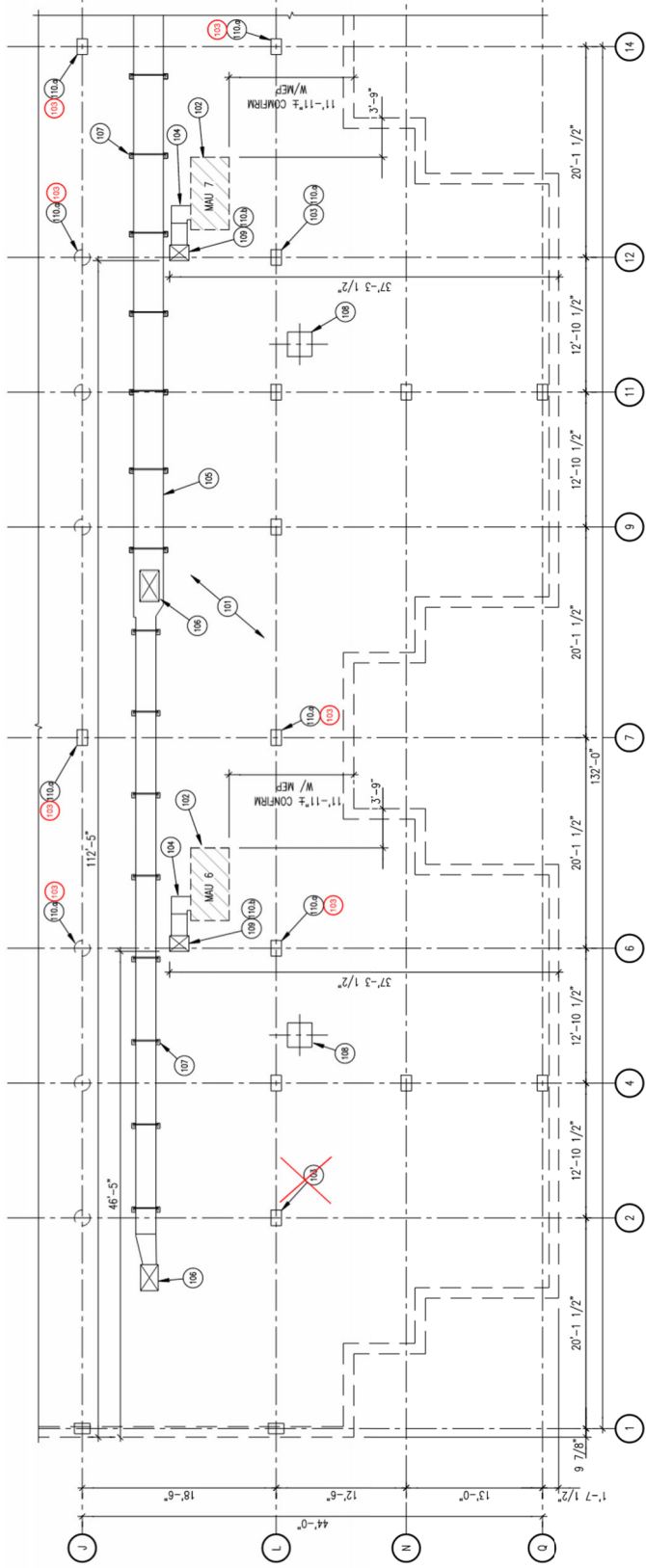
Name & Title	Company Name & Type of Contracting	MBE/WBE/SDVE Status	Phone	E-Mail Address of Attendee & E-Mail Address of Individual filling out Bid Documents
Frank Cunningham	OA/FMDC	—	573-395-6216	frank.cunningham@oa.mo.gov
Alex Hoffley	OA/FMDC	—	573-808-8917	Alexander.Hoffley@oa.mo.gov
Carl Hakey	OA/FMDC		573-645-7834	Carl.hakey@oa.mo.gov
DAVID TORRES	ALLSTATE / STRUCT. / ENG.	—	(573) 875-8799	dtorres@allstate75.com
JEFF GANUS MECH ESTIMATOR	MSI CONSTRUCTORS PRIME / MECH	SDVE	417-881-0903	ESTIMATING@MSICONSTRUCTORS.COM AMBERTANNER@MSICONSTRUCTORS.COM
Sue Ince, RN, LHA Assistant Administrator	Mexico		573-567-8297	Athen.Ince@muc.dps.mo.gov

Pre-Bid Meeting Attendance Sheet
 HVAC Improvements for Infection Control
 Mexico Veterans Home
 Mexico, Missouri

Project No. U2301-03
 7.15.24 & 10 A.M.

Name & Title	Company Name Type of Contracting	MBE/WBE/ SDVE Status	Phone	E-Mail Address of Attendee and E-Mail Address of Individual filling out Bid Documents
Jeff Smith Maintenance Supervisor	MVC		573-220-5170	jeff.smith@mvc-dps.mo.gov
Shave Bullock	MVC		573-522-4992	shave.bullock@mvc-dps.mo.gov
Cara Luttrell	FMDC			cara.luttrell@oa.mo.gov
Carina Cronet	FMDC			Carina.Cronet@oa.ms.gov
Trace Siebeneck	FMDC		573-580-9480	trace.siebeneck@oa.mo.gov

Sheet S-151 Detail #1

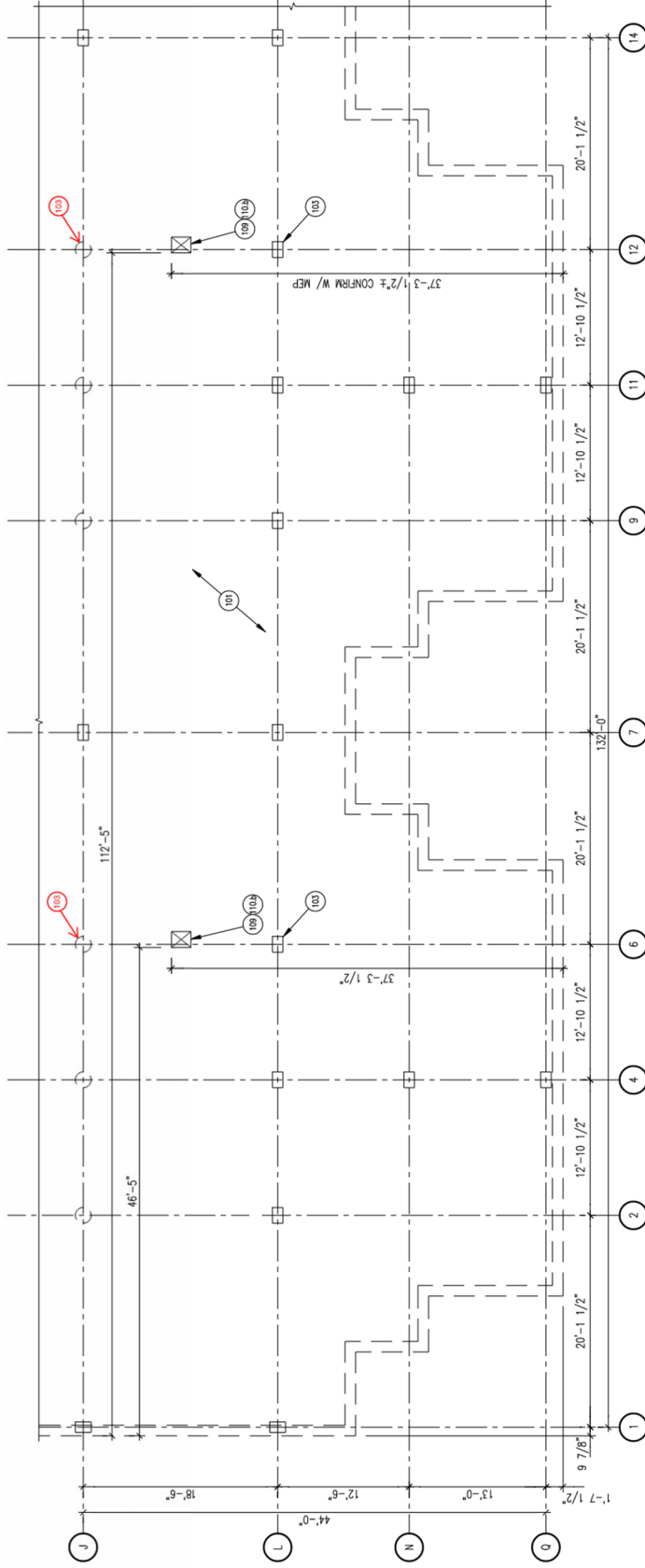


ROOF PLAN - AREA A

1/8" = 1'-0"



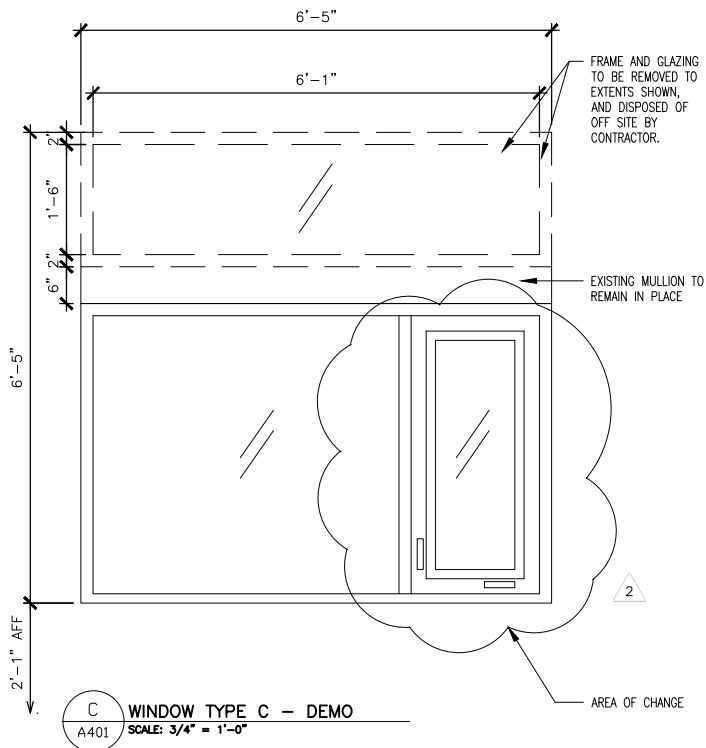
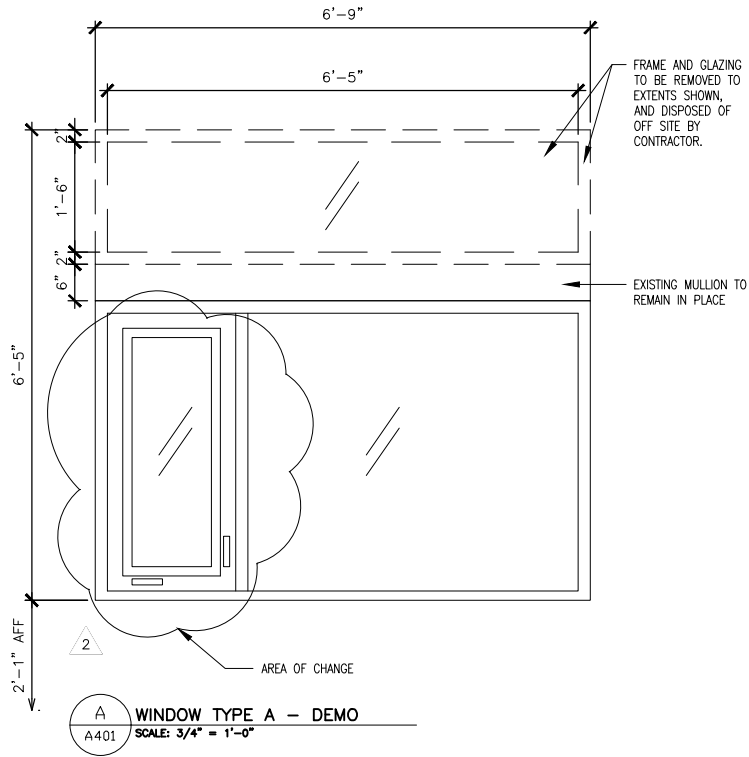
Sheet S-151 Detail #2



THIRD/SECOND LEVEL PLAN - AREA A

REF. $\frac{2}{3-15}$ $\frac{1}{8"} = 1'-0"$

Sheet A-401 Details A, C, and Window Schedule

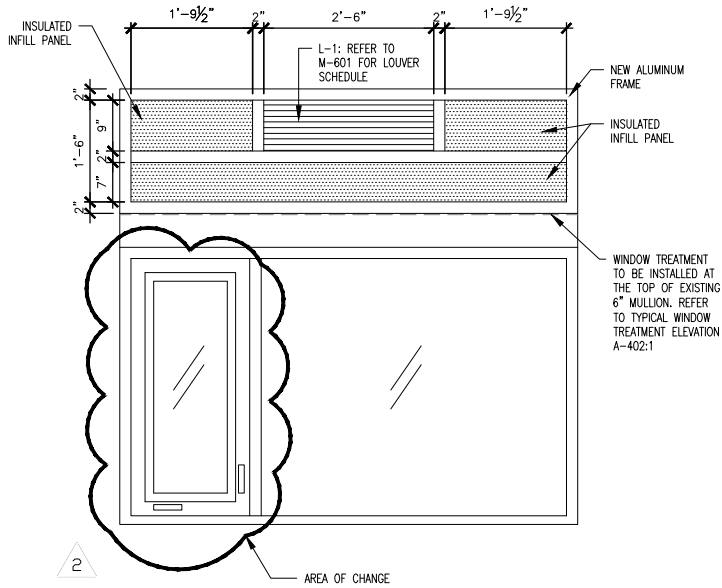


2

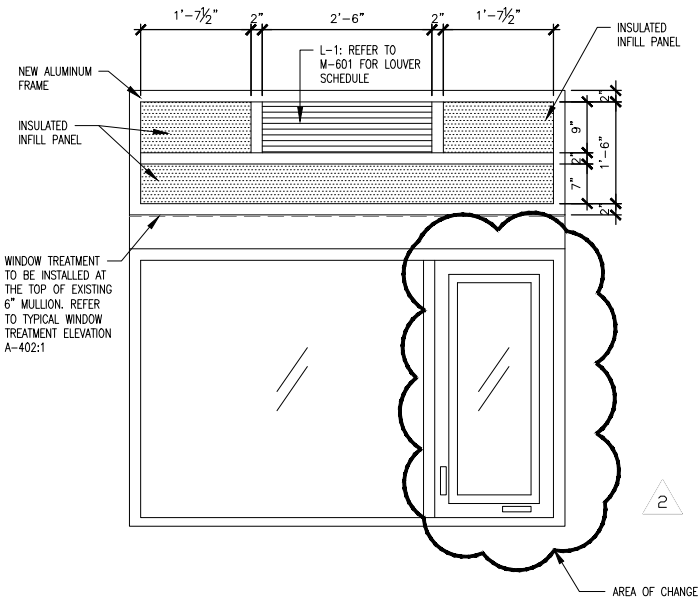
AREA OF CHANGE

WINDOW SCHEDULE - DEMO				
MARK	ROOM	SIZE	TYPE	NOTES
W1	102	6'-5" x 6'-5"	C	1
W2	103	3'-9" x 6'-5"	G	1
W3	104	6'-4" x 6'-5"	E	1
W4	106	6'-4" x 6'-5"	D	1
W5	107	3'-9" x 6'-5"	F	1
W6	108	6'-9" x 6'-5"	A	1
W7	111	6'-9" x 6'-5"	B	1
W8	112	3'-9" x 6'-5"	G	1
W9	113	6'-4" x 6'-5"	E	1
W10	115	6'-4" x 6'-5"	D	1
W11	116	3'-9" x 6'-5"	F	1
W12	117	6'-9" x 6'-5"	A	1
NOTES				
1	REMOVE TOP TRANSOM FRAME & GLASS.			
2	NOT USED			

Sheet A-402 Details A, C, and Window Schedule



A WINDOW TYPE A
A402 SCALE: 3/4" = 1'-0"



C WINDOW TYPE C
A402 SCALE: 3/4" = 1'-0"

WINDOW SCHEDULE				
MARK	ROOM	SIZE	TYPE	NOTES
W1	102	6'-5" x 6'-5"	C	1, 2
W2	103	3'-9" x 6'-5"	G	1, 2
W3	104	6'-4" x 6'-5"	E	1, 2
W4	106	6'-4" x 6'-5"	D	1, 2
W5	107	3'-9" x 6'-5"	F	1, 2
W6	108	6'-9" x 6'-5"	A	1, 2
W7	111	6'-9" x 6'-5"	B	1, 2
W8	112	3'-9" x 6'-5"	G	1, 2
W9	113	6'-4" x 6'-5"	E	1, 2
W10	115	6'-4" x 6'-5"	D	1, 2
W11	116	3'-9" x 6'-5"	F	1, 2
W12	117	6'-9" x 6'-5"	A	1, 2
NOTES				
1	REFER TO MEP DRAWINGS FOR LOUVER SIZE, LOCATION, AND DETAILS.			
2	INSTALL NEW LOUVER AND INSULATED INFILL PANEL INTO NEW ALUMINUM FRAME CUSTOM TO WINDOW SIZE. SEE SPECIFICATIONS. VERIFY WINDOW SIZE PRIOR TO ORDERING.			
3	NOT USED			

2

AREA OF CHANGE