

MISSOURI VETERANS CEMETERY - SPRINGFIELD

NEW COLUMBARIUM PLAZA AND PRE-PLACED CRYPTS

(SPRINGFIELD, GREENE COUNTY, MISSOURI)

MO-22-17

JUNE 01, 2026

OWNER: STATE OF MISSOURI
MIKE KEHOE, GOVERNOR

DEPARTMENT OF PUBLIC SAFETY MISSOURI
VETERANS COMMISSION
PAUL KIRCHHOFF,
EXECUTIVE DIRECTOR

PROJECT MANAGEMENT: OFFICE OF ADMINISTRATION
DIVISION OF FACILITIES
MANAGEMENT, DESIGN AND
CONSTRUCTION

DESIGNER: ARCHIMAGES, INC

PROJECT NUMBER: U2419-01, MO-22-17

SITE NUMBER: 6901

ASSET NUMBER: 8136901009

INTERMENT SPACES PROVIDED IN THIS PROJECT:

NEW DOUBLE DEPTH PRECAST CONCRETE CRYPTS:
UP TO 1,942 STANDARD CRYPTS AND 22 OVERSIZED
CRYPTS LOCATED AT ROW TERMINATIONS
NEW IN-GROUND CREMATION BURIAL: NONE
NEW CREMATION NICHES: 2560

WATER, SEWER, AND ELECTRIC SERVICES ARE
PROVIDED BY THE CITY OF SPRINGFIELD, MO

AREA OF LAND DISTURBANCE:
UP TO APPROXIMATELY 5.2 ACRES



REGIONAL MAP



VICINITY MAP

SHEET INDEX

NO.	DESCRIPTION
G001	COVER SHEET
SA1.0	SITE LOGISTICS PLAN
C001	EXISTING CONDITIONS
C050	EROSION CONTROL PLAN
C051	EROSION CONTROL DETAILS
C100	GENERAL LAYOUT PLAN
C110	MONUMENT GRID PLAN
C120	CRYPT AREA NUMBER PLAN
C130	JOINTING PLAN
C300	OVERALL GRADING PLAN
C310	ENLARGED GRADING PLAN - 1
C311	ENLARGED GRADING PLAN - 2
C312	GRADING PLAN @ BOTTOM EXCAVATION
C313	EXCAVATED MATERIAL DISPOSAL GRADING PLAN
C314	EXCAVATED MATERIAL ADDITIONAL DISPOSAL AREA
C320	SITE SECTION 1
C321	SITE SECTION 2
C400	SITE UTILITIES PLAN
C600	SITE DETAILS 1
C601	SITE DETAILS 2
CR01	CRYPT DETAILS
LP101	PLANTING PLAN, DTLS & SCHEDULE
LP102	GARDEN I - PLANTING PLAN
A101	COLUMBARIUM PLAZA PLAZA & ELEVATIONS
A102	ENLARGED PLAN, WALL SECTIONS & DETAILS
A103	BRONZE PLAQUES

SHEET NUMBER:

G-001

SITE LOGISTICS NOTES

1. LIMIT CONSTRUCTION TRAFFIC TO THE CONSTRUCTION ROUTE INDICATED ON THIS DRAWING.
2. PROVIDE GRAVEL PARKING AREA AND TEMPORARY FACILITIES IN THE AREA INDICATED. RESTORE THIS AREA TO ORIGINAL OR BETTER CONDITION WHEN TEMPORARY FACILITIES ARE REMOVED.
3. PROTECT EXISTING TREES, IRRIGATION TAPS, AND BURIAL SECTION MARKERS FROM DAMAGE. REPLACE ANY TREES TAPS OR MARKERS DAMAGED BY CONSTRUCTION OPERATIONS.
4. REFER TO SPECIFICATIONS FOR UTILITY USAGE AND RESPONSIBILITIES.
5. ALL DISTURBED AREAS NOT INDICATED FOR SOD SHALL BE SEEDED.
6. COORDINATE HAUL ROUTE TO AND FROM THE SITE WITH THE CITY OF SPRINGFIELD.
7. PROVIDE TEMPORARY CONSTRUCTION FENCING AROUND CRYPT CONSTRUCTION AREA.
8. PROVIDE TEMPORARY BARRICADE SEPARATING EXISTING COLUMBARIUM PLAZA FROM NEW CONSTRUCTION.

PROVIDE ROAD CLOSED BARRICADE

EXCAVATED MATERIAL DISPOSAL AREA - SEE CIVIL DRAWINGS

AREA PROPOSED FOR PRE-PLACED CRYPTS DEVELOPMENT

PROVIDE TEMPORARY CONSTRUCTION FENCING WITH GATES AROUND NEW CRYPT CONSTRUCTION

EXISTING SOUTH COLUMBARIUM PLAZA

SHADING INDICATES FUTURE COLUMBARIUM WALL DEVELOPMENT AREA

AREA PROPOSED FOR COLUMBARIUM EXPANSION

PROVIDE BARRICADE

AREA FOR TEMPORARY LAYDOWN, JOB SITE STORAGE, CRYPT OFFLOADING, PARKING, AND TEMPORARY FACILITIES.

LINES INDICATES EXTENT OF BURIAL PLOT USAGE IN GARDENS I AND E AS OF 2/7/2026

EXISTING COMMITTAL SERVICE SHELTER

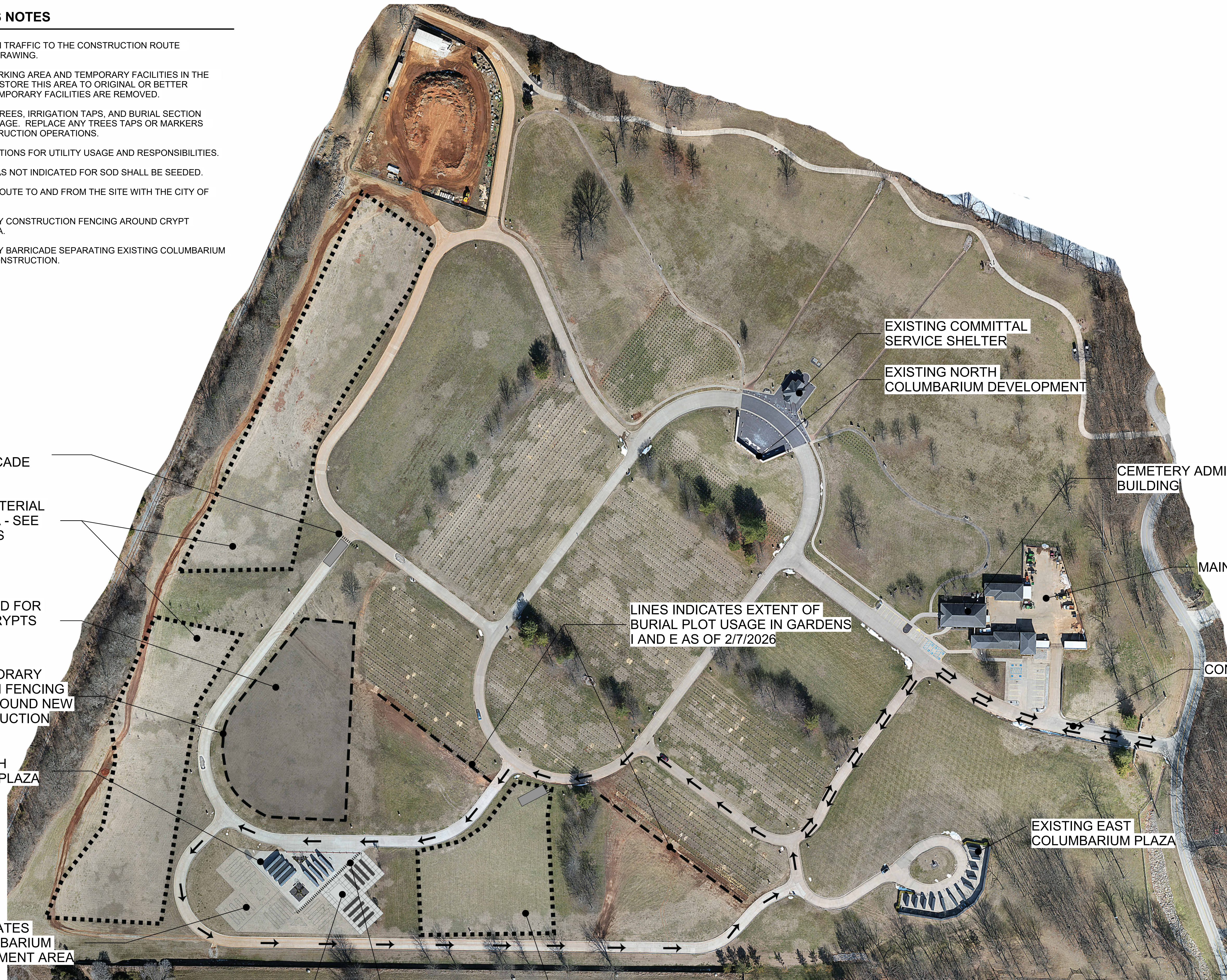
EXISTING NORTH COLUMBARIUM DEVELOPMENT

CEMETERY ADMINISTRATION BUILDING

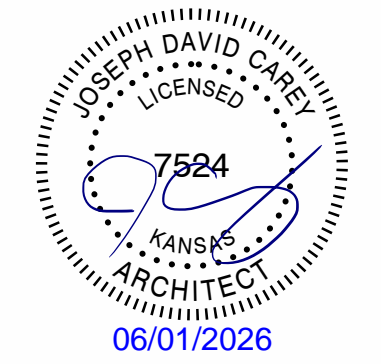
MAINTENANCE YARD

CONSTRUCTION ROUTE

EXISTING EAST COLUMBARIUM PLAZA



A SITE LOGISTICS PLAN
NTS





Archimages
architecture | interiors

9300 W. 110th Street, Suite 235 Overland Park, KS 66210
www.archimages-stl.com p: (913) 378-9533

OFFICE OF ADMINISTRATION
DIVISION OF FACILITIES
MANAGEMENT,
DESIGN AND CONSTRUCTION

DEPARTMENT OF
PUBLIC SAFETY, DIVISION OF
MISSOURI VETERANS
COMMISSION

CONSTRUCT NEW
COLUMBARIUM WALL AND
PRE-PLACED CRYPTS
MISSOURI VETERANS
CEMETERY - SPRINGFIELD
SPRINGFIELD, MO

STATE OF MO # U2419-01
VCGP # MO-22-17
ARCHIMAGES # K26501
SITE # 6901
ASSET # 8136901009

REVISION: _____
DATE: _____
REVISION: _____
DATE: _____
REVISION: _____
DATE: _____
ISSUE DATE : 6/1/2026

CAD DWG FILE: -
DRAWN BY: - SG
CHECKED BY: - SM
DESIGNED BY: - SM

SHEET TITLE:
**EXISTING
CONDITIONS**

SHEET NUMBER:

C001

CP/BM 6
3" BAR
N 46180.04
E 142244.64
EL. 1179.99

CP/BM 10
3" BAR
N 468460.78
E 1429445.36
EL. 1174.92

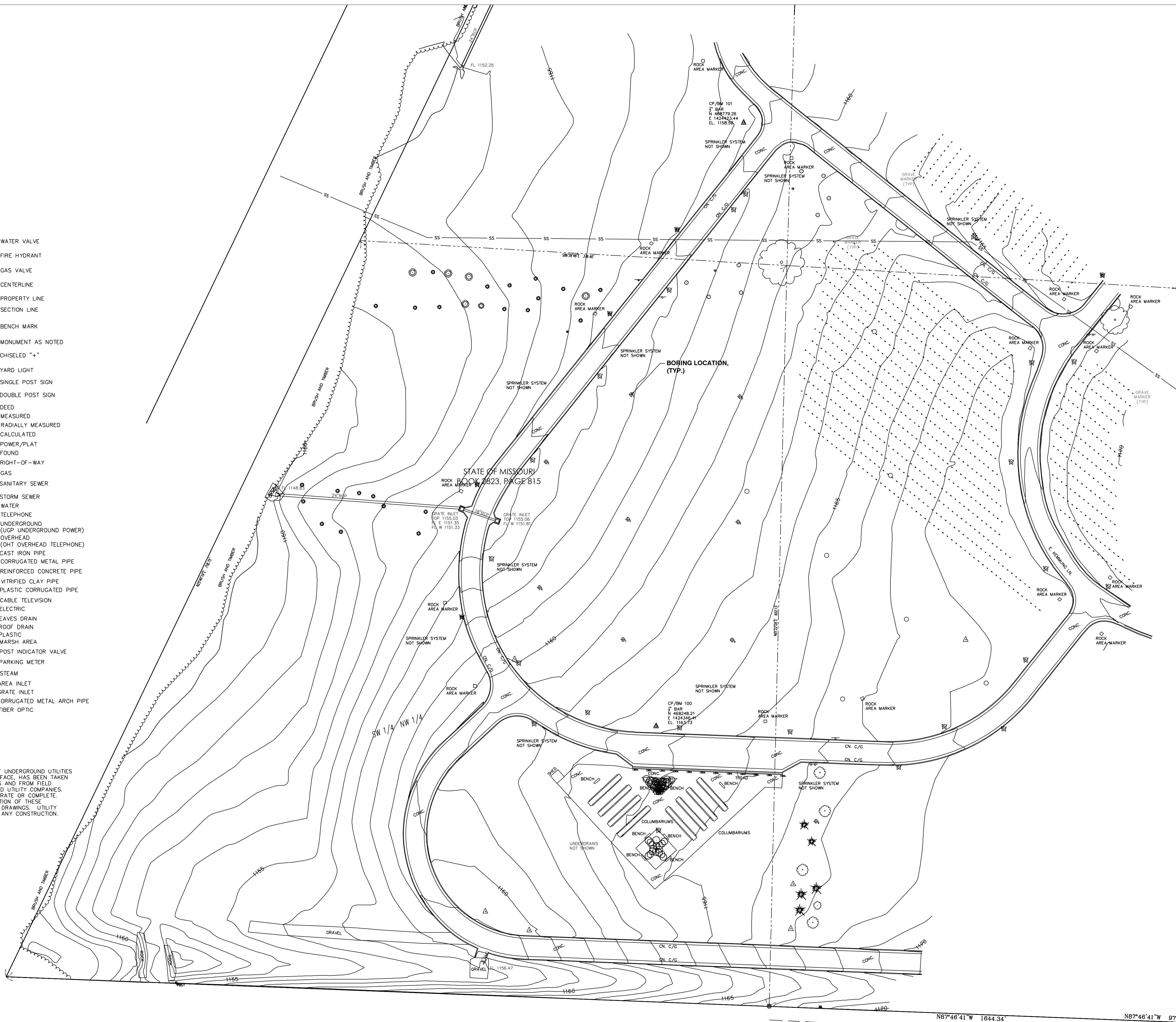
CP/BM 100
3" BAR
N 468248.21
E 1424346.41
EL. 1163.73

CP/BM 101
3" BAR
N 468779.26
E 1424423.44
EL. 1158.58

LEGEND

- | | | | |
|--|------------------------------|--|-------------------------------------|
| | DECIDUOUS TREE | | WATER VALVE |
| | CONIFEROUS TREE | | FIRE HYDRANT |
| | BUSH | | GAS VALVE |
| | SHRUB | | CENTERLINE |
| | BOLLARD | | PROPERTY LINE |
| | GRATE INLET ROUND | | SECTION LINE |
| | GRATE INLET SQUARE | | BENCH MARK |
| | ELECTRICAL TRANSFORMER BOX | | MONUMENT AS NOTED |
| | GAS METER | | CHISELED "+" |
| | LIGHT POLE | | YARD LIGHT |
| | MANHOLE | | SINGLE POST SIGN |
| | TELEPHONE POLE | | DOUBLE POST SIGN |
| | WATER METER | | DEED |
| | POWER POLE | | MEASURED |
| | GUY WIRE | | RADIALLY MEASURED |
| | TELEPHONE SPLICE BOX | | CALCULATED |
| | CURB INLET | | POWER/PLAT |
| | RAILROAD | | FOUND |
| | FENCE | | RIGHT-OF-WAY |
| | CONTINUING LINE | | GAS |
| | TRAFFIC SIGNAL POLE | | SANITARY SEWER |
| | TV SPLICE BOX | | STORM SEWER |
| | ELECTRIC METER | | WATER |
| | POWER SPLICE BOX | | TELEPHONE |
| | POST | | UNDERGROUND (LOP UNDERGROUND POWER) |
| | MAIL BOX | | OVERHEAD (OHT OVERHEAD TELEPHONE) |
| | STUMP | | CAST IRON PIPE |
| | MATCH POINT | | CORRUGATED METAL PIPE |
| | CP (CONTROL POINT) | | REINFORCED CONCRETE PIPE |
| | GAS TEST | | VITRIFIED CLAY PIPE |
| | GAS REGULATOR | | PLASTIC CORRUGATED PIPE |
| | SIAMESE CONNECTOR | | CABLE TELEVISION |
| | STEAM VALVE | | ELECTRIC |
| | WATER FAUCET | | EAVES DRAIN |
| | DRAIN | | ROOF DRAIN |
| | FLAG POLE | | PLASTIC |
| | TEST HOLE | | MARSH AREA |
| | FIBER OPTIC TELEPHONE MARKER | | POST INDICATOR VALVE |
| | AIR CONDITIONER | | PARKING METER |
| | CLEAN OUT | | STEAM |
| | UTILITY POLE | | AREA INLET |
| | | | GRATE INLET |
| | | | CORRUGATED METAL ARCH PIPE |
| | | | FIBER OPTIC |

NOTE: THE INFORMATION CONCERNING THE LOCATION OF UNDERGROUND UTILITIES SHOWN HEREON, WHICH ARE NOT VISIBLE FROM THE SURFACE, HAS BEEN TAKEN FROM THE RECORDS OF THE VARIOUS UTILITY COMPANIES AND FROM FIELD LOCATIONS AS MARKED BY LOCATORS REPRESENTING SAID UTILITY COMPANIES. THESE LOCATIONS ARE NOT TO BE CONSIDERED AS ACCURATE OR COMPLETE. WHERE MEASUREMENTS WERE NOT AVAILABLE, THE LOCATION OF THESE UNDERGROUND LINES HAVE BEEN SCALED FROM RECORD DRAWINGS. UTILITY LOCATIONS SHOULD BE VERIFIED IN THE FIELD PRIOR TO ANY CONSTRUCTION.





Archimages
architecture | interiors

9300 W. 110th Street, Suite 235 Overland Park, KS 66210
www.archimages-stl.com p: (913) 378-9533

OFFICE OF ADMINISTRATION
DIVISION OF FACILITIES
MANAGEMENT,
DESIGN AND CONSTRUCTION

DEPARTMENT OF
PUBLIC SAFETY, DIVISION OF
MISSOURI VETERANS
COMMISSION

CONSTRUCT NEW
COLUMBARIUM WALL AND
PRE-PLACED CRYPTS
MISSOURI VETERANS
CEMETERY - SPRINGFIELD
SPRINGFIELD, MO

STATE OF MO # U2419-01
VCGP # MO-22-17
ARCHIMAGES # K26501
SITE # 6901
ASSET # 8136901009

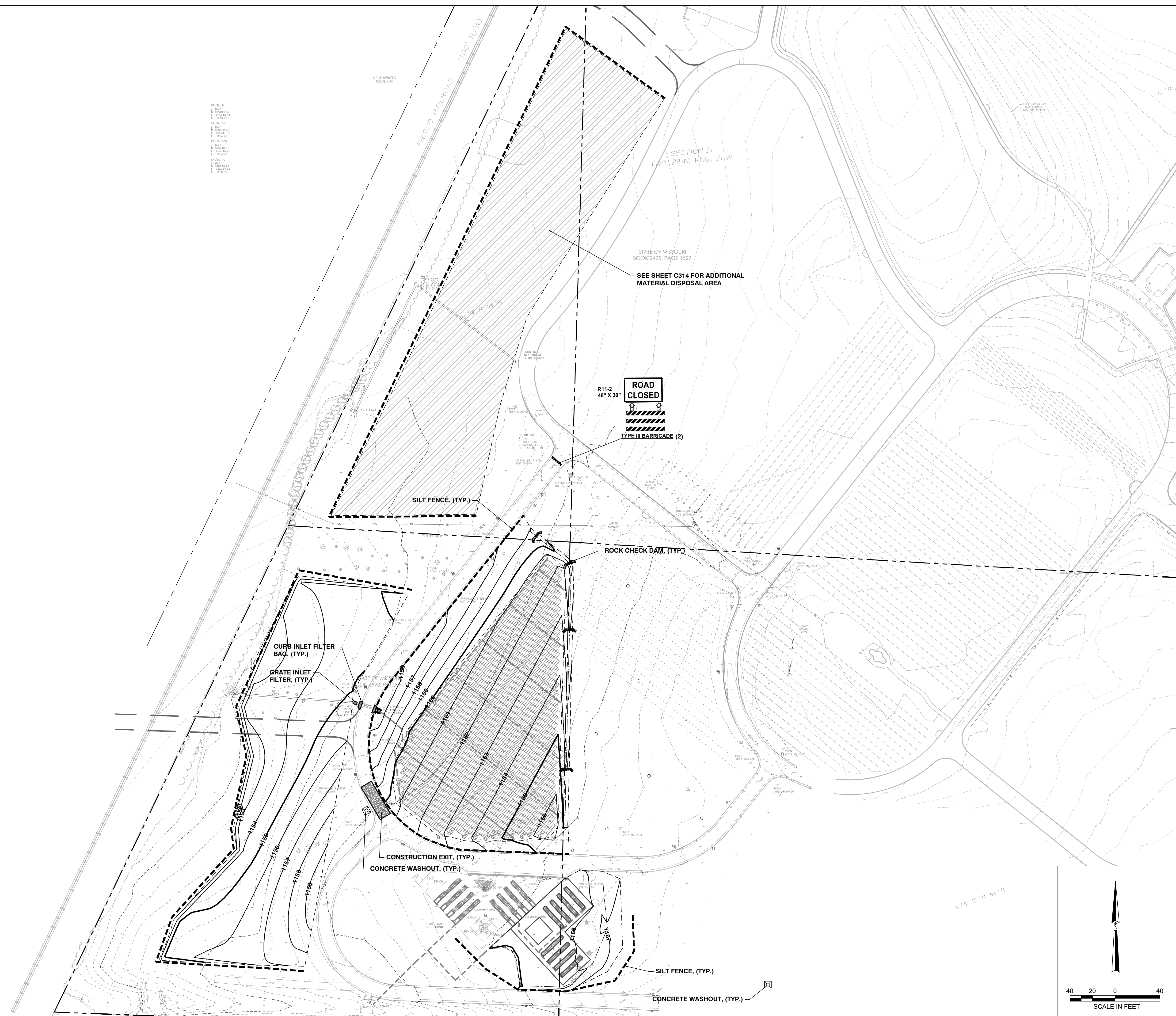
REVISION: _____
DATE: _____
REVISION: _____
DATE: _____
REVISION: _____
DATE: _____
ISSUE DATE : 6/1/2026

CAD DWG FILE: -
DRAWN BY: - SG
CHECKED BY: - SM
DESIGNED BY: - SM

SHEET TITLE:
**EROSION CONTROL
PLAN**

SHEET NUMBER:

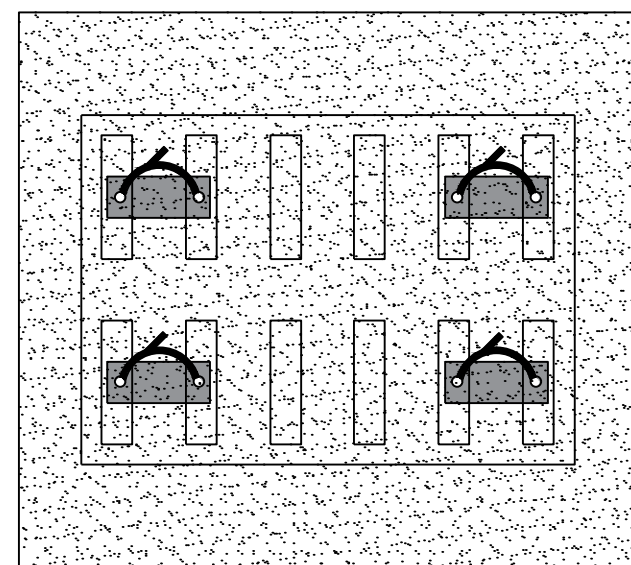
C050



01/20/24
 02/20/24
 03/20/24
 04/20/24
 05/20/24
 06/20/24
 07/20/24
 08/20/24
 09/20/24
 10/20/24
 11/20/24
 12/20/24
 01/20/25
 02/20/25
 03/20/25
 04/20/25
 05/20/25
 06/20/25
 07/20/25
 08/20/25
 09/20/25
 10/20/25
 11/20/25
 12/20/25

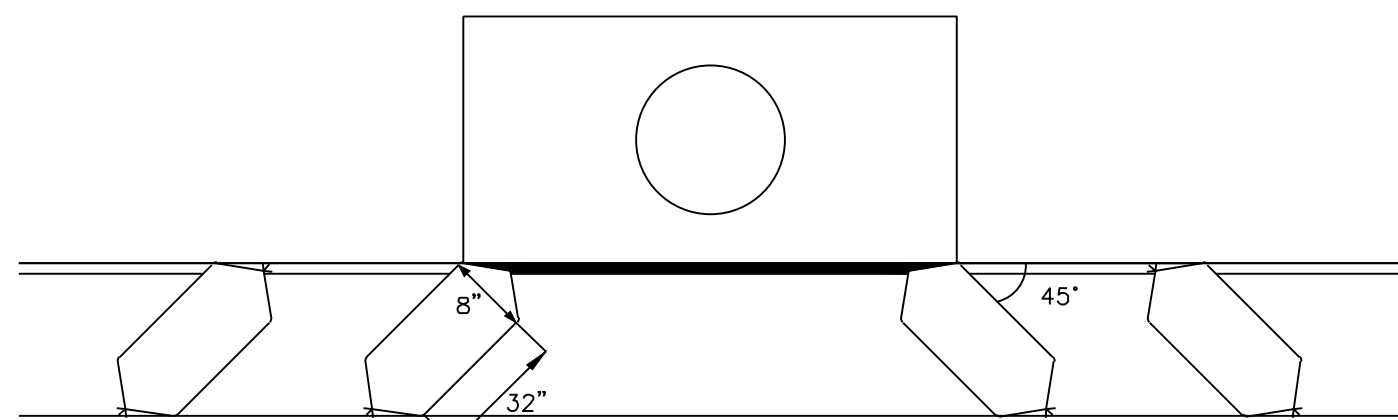
NOTES:

1. GRATE INLET FILTERS SHALL BE PLACED PRIOR TO DISTURBANCE AND AFTER GRATES ARE INSTALLED.
2. A CURB INLET BMP SHALL BE INSTALLED IN CONJUNCTION WITH THE GRATE INLET FILTER WHEN A GRATE IS CONNECTED TO A CURB INLET.
3. SEDIMENT AND DEBRIS COLLECTED ON TOP AND SIDES OF INLET FILTERS SHALL BE REMOVED AFTER EACH RAIN EVENT WITH A BROOM.
4. INLET FILTERS SHALL BE REPLACED WHEN PERFORMANCE IS NO LONGER SATISFACTORY.
5. INLET FILTERS SHALL ONLY BE REMOVED WHEN UPSTREAM AREAS ARE PERMANENTLY STABILIZED.



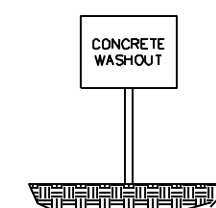
NOTES:

1. FILTER BAGS SHALL BE INSTALLED PRIOR TO DISTURBANCE AND AS INLETS ARE INSTALLED.
2. FILTER BAG INLET PROTECTION SHALL BE INSTALLED IN CONJUNCTION WITH GRATE INLET FILTER BMP WHEN A GRATE IS CONNECTED TO A CURB INLET.
3. SEDIMENT ACCUMULATION SHALL BE REMOVED AFTER RAIN EVENTS AND SHALL NOT EXCEED 50%.
4. FILTER BAGS SHALL BE REPLACED WHEN PERFORMANCE IS NO LONGER SATISFACTORY.
5. FILTER BAGS SHALL ONLY BE REMOVED WHEN UPSTREAM AREAS ARE PERMANENTLY STABILIZED.

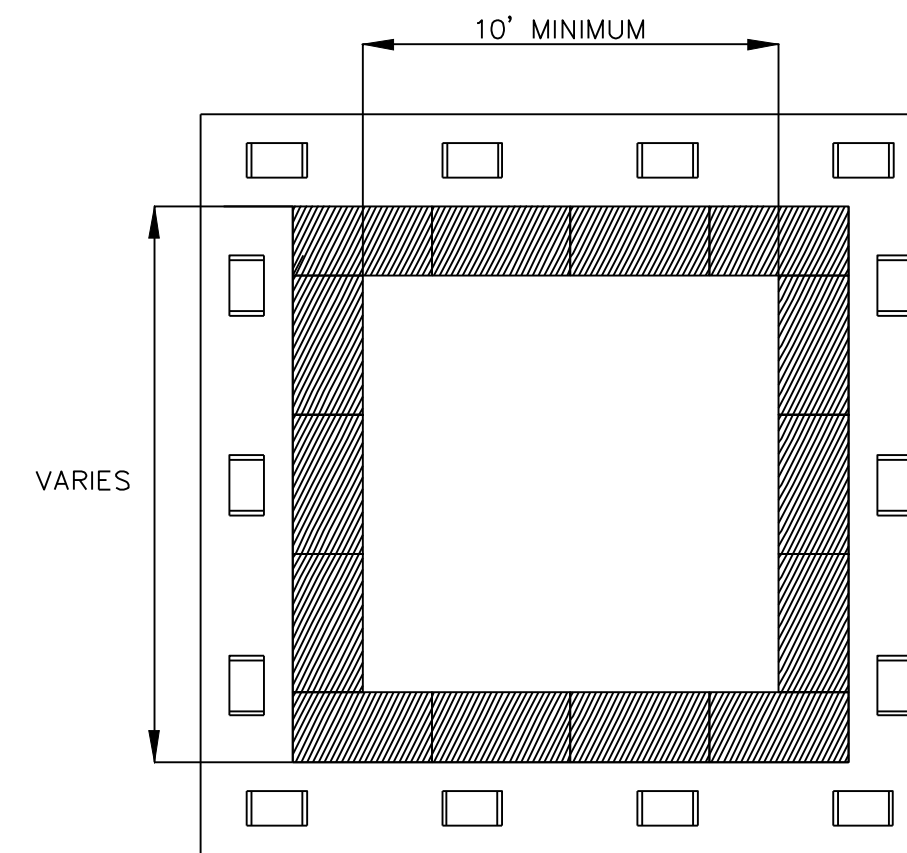


NOTES:

1. WASHOUT CONTAINMENT SHALL BE INSTALLED FOR DURATION OF CONCRETE WORK AND RETAIN CONCRETE AND OTHER WASHOUT LIQUIDS UNTIL EVAPORATION OR REMOVAL BY PUMP.
2. CONTAINMENT SHALL BE SIZED FOR EXPECTED WASHOUT VOLUMES.
3. AVOID PLACING NEAR STORM DRAINS, STREAMS, SINKHOLES, OUTFALLS OR OTHER LOW AREAS WHERE WATER PONDS OR FLOWS.
4. OTHER APPROVED LEAK-PROOF CONTAINMENT IS ACCEPTABLE.
5. TRAPS SHALL BE ROUTINELY MAINTAINED AT 75% CAPACITY AND REPLACED AS NECESSARY TO PERFORM.
6. THE WASHOUT PIT SHALL BE COVERED BEFORE PREDICTED RAIN EVENTS TO PREVENT OVERFLOW.
7. THE CONCRETE WASHOUT SIGN SHALL BE INSTALLED WITHIN 30FT OF THE TEMPORARY CONCRETE WASHOUT FACILITY.



SIGNAGE



PLAN VIEW



SECTION VIEW

ENVIRONMENTAL SERVICES DEPT.
SPRINGFIELD, MO.

GRATE INLET FILTER

UPDATED: DEC. 2018
BMP MANUAL

ENVIRONMENTAL SERVICES DEPT.
SPRINGFIELD, MO.

CURB INLET FILTER BAG

UPDATED: DEC. 2018
BMP MANUAL

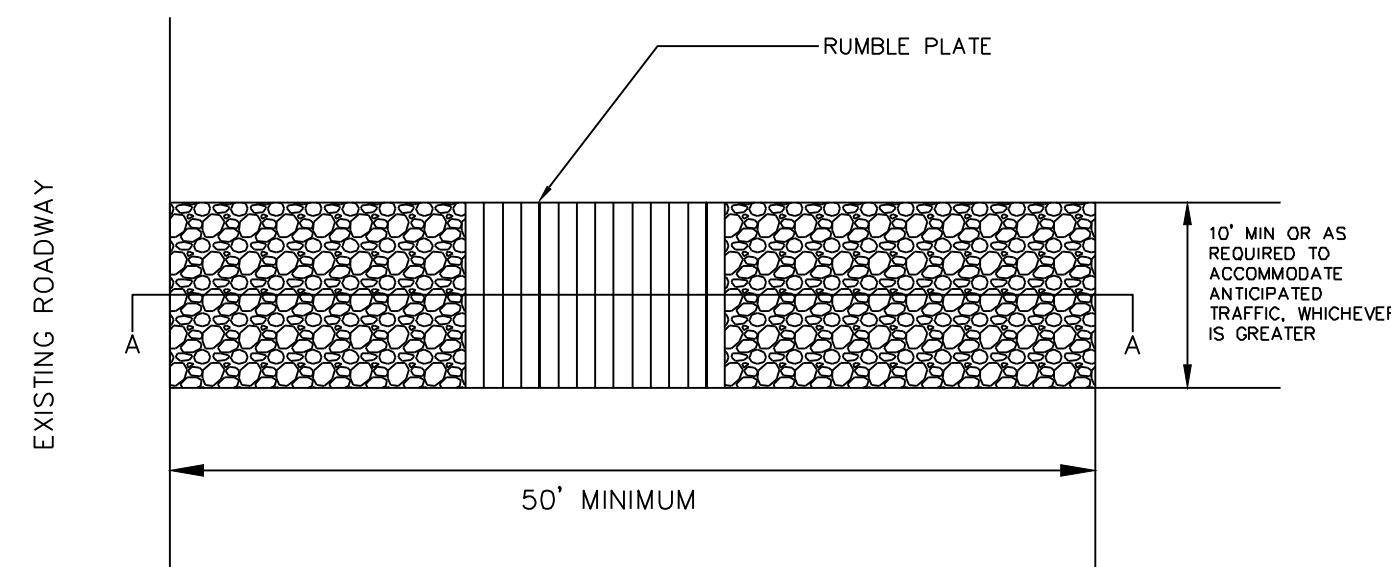
ENVIRONMENTAL SERVICES DEPT.
SPRINGFIELD, MO.

CONCRETE WASHOUT

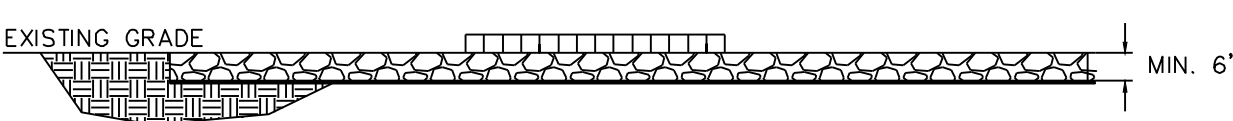
UPDATED: AUG. 2018
BMP MANUAL

NOTES:

1. RUMBLE STRIPS ARE RECOMMENDED FOR LARGER SITES.
2. RUMBLE STRIPS SHALL BE A MINIMUM LENGTH OF 20' OR AS NEEDED TO REMOVE SEDIMENT FROM TIRES.
3. AVOID PLACING EXITS IN AN OUTFALL AREA OR OTHER LOW AREAS WHERE WATER PONDS OR FLOWS.
4. A CULVERT SHALL BE INSTALLED IF EXIT CROSSES A DITCH.
5. ROCK APRON INSTALLATION SHALL BE WIDE ENOUGH TO ACCOMMODATE TURNING VEHICLES.
6. ADD NEW ROCK OR RAKE EXISTING ROCK WHEN VOIDS FILL WITH SEDIMENT.
7. ANY MUD, ROCK OR DEBRIS TRACKED ONTO PAVED SURFACES AND ACCUMULATED IN CURBS SHALL BE REMOVED IMMEDIATELY USING A SWEEPER, SHOVEL, ETC.
8. REMOVE EXIT WHEN VEHICLES AND EQUIPMENT WILL NO LONGER ACCESS UNPAVED AREAS.



PLAN VIEW



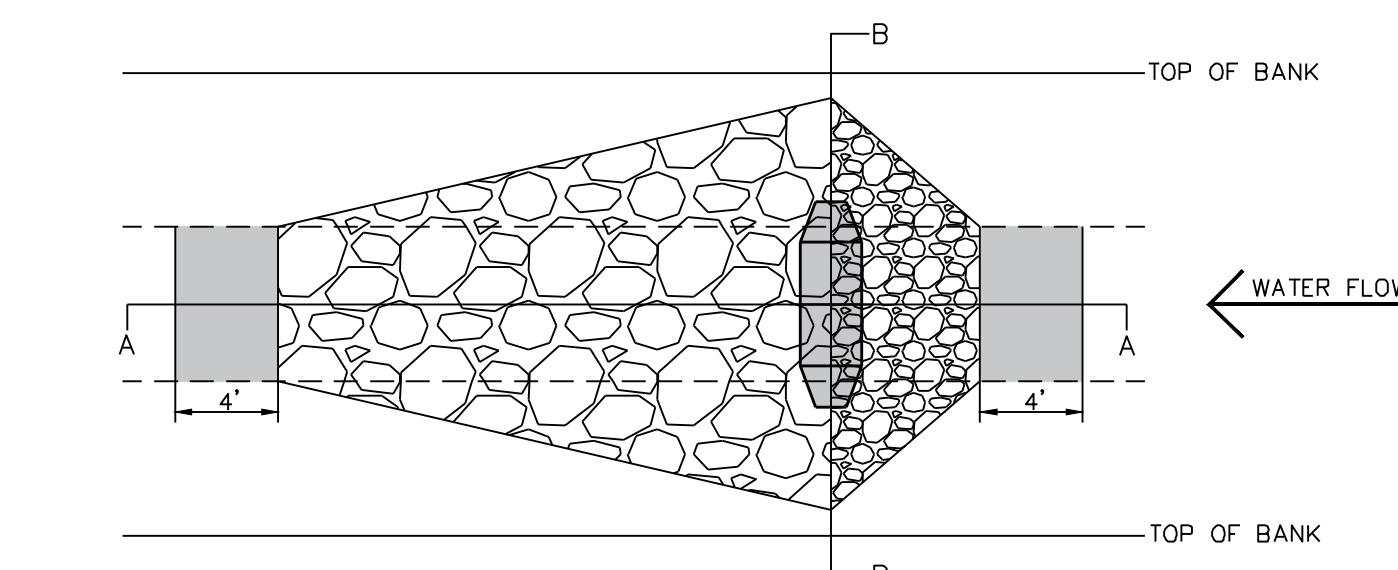
SECTION A-A

NOTES:

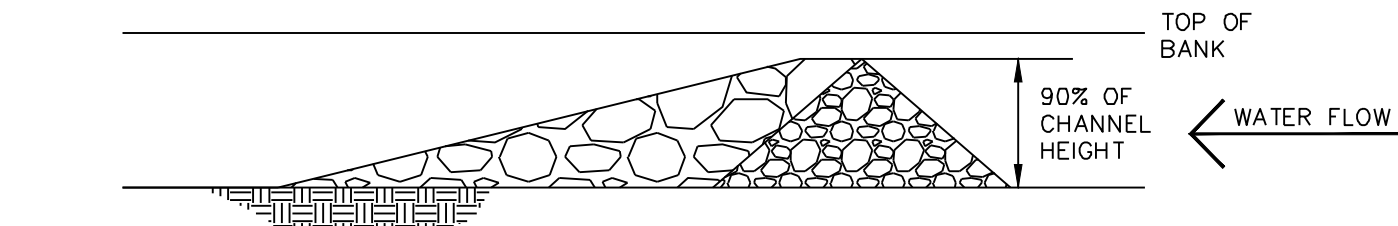
1. ROCK CHECK DAMS SHALL BE INSTALLED IN DITCHES, CHANNELS AND OUTFALLS PRIOR TO UPSTREAM DISTURBANCE AND DOWNSTREAM OF CONCENTRATED STORMWATER FLOW. ROCK CHECK DAMS SHALL NOT BE PLACED IN FLOWING STREAMS.
2. REINFORCEMENT MATTING SHALL BE INSTALLED AS PER MANUFACTURER SPECS UNDER THE ROCK AND SHALL EXTEND 4' UPSTREAM AND DOWNSTREAM.
3. THE CENTER OF THE CHECK DAM SHALL FORM A WEIR TO RELEASE WATER.
4. SEDIMENT ACCUMULATION SHALL BE REMOVED WHEN IT REACHES HALF THE HEIGHT OF THE CHECK DAM.
5. ROCK SHALL BE REINSTALLED WHEN PERFORMANCE IS NO LONGER SATISFACTORY.
6. UPSTREAM AREAS MUST BE STABILIZED BEFORE REMOVAL OF CHECK DAMS.



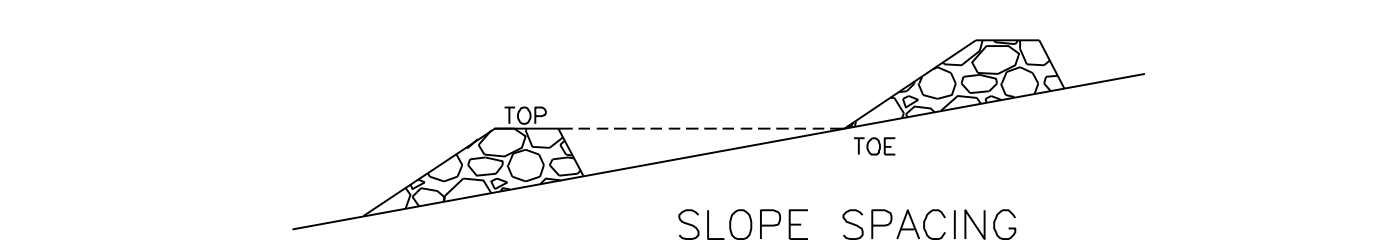
SECTION B-B



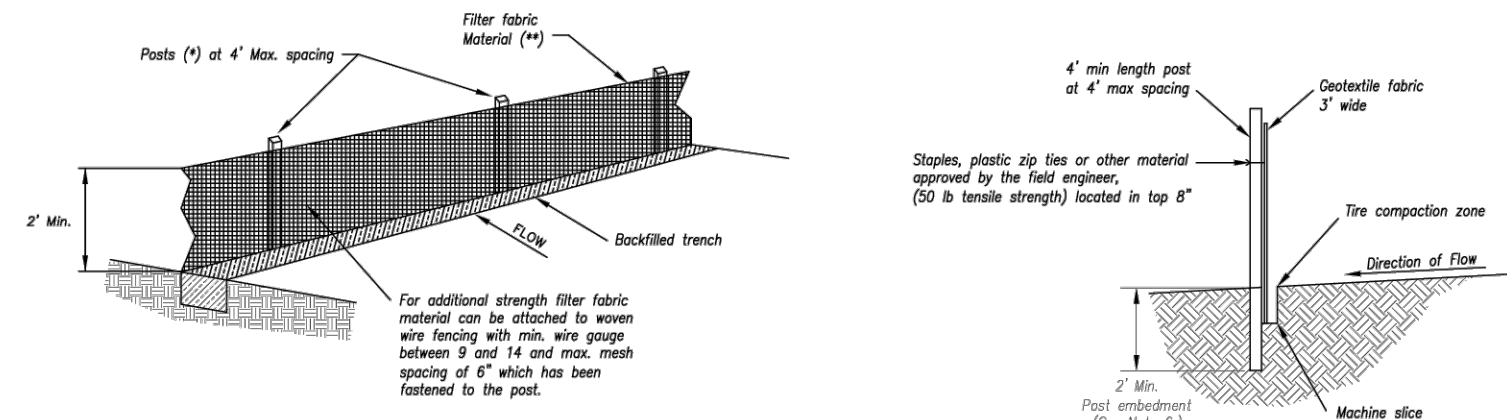
PLAN VIEW



SECTION A-A



SLOPE SPACING



- (*) EGGS
- MIN. LENGTH 4'
 - HORIZONTAL 1 1/2" x 1 1/2"
 - NO. 3 SCOTCHDOME FINE 2 1/2" x 2 1/2"
 - SIZES 1.33 LB/FT

(**) - Geotextile Fabric shall meet the requirements of AASHTO M228

SILT FENCE DETAILS
Not to Scale

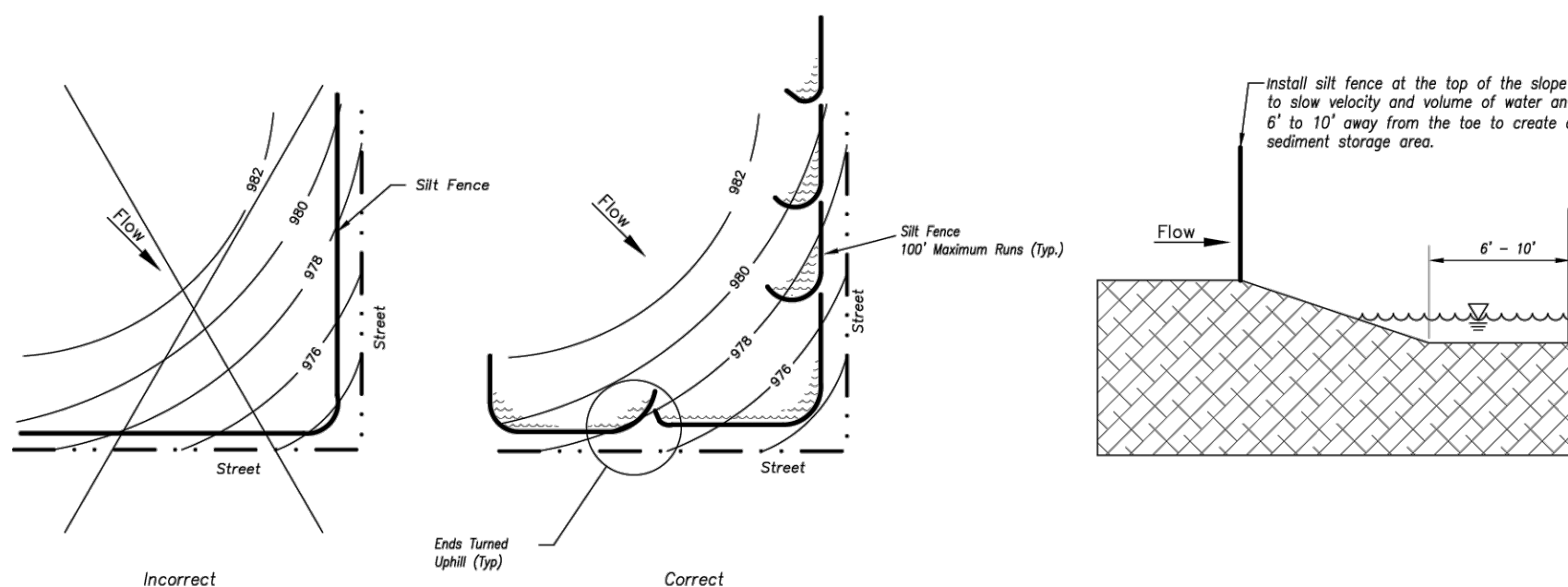


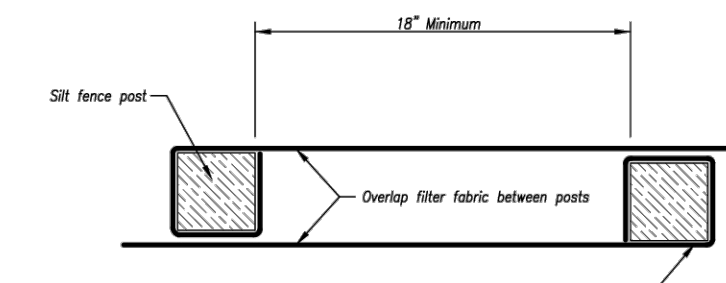
Figure A
SILT FENCE LAYOUT
Not to Scale

NOTES:

1. In order to contain water, the ends of the silt fence must be turned uphill (Figure A).
2. Long perimeter runs of silt fence must be limited to 100'. Runs should be broken up into several smaller segments to minimize water concentrations (Figure A).
3. Long slopes should be broken up with intermediate rows of silt fence to slow runoff velocities.
4. Attach posts to upstream side of post.
5. Install posts a minimum of 2' into the ground.
6. Trenching will only be allowed for small or difficult installation, where slicing machine cannot be reasonably used.

Maintenance:

1. Remove and dispose of sediment deposits when the deposit approaches 1/2 the height of silt fence.
2. Repair as necessary to maintain function and structure.



JOINING FENCE SECTIONS
Not to Scale



SILT FENCE

STANDARD DRAWING
NUMBER ESC-03
ADOPTED:
10/24/2016

Modified from 2015 Overland Park Standard Details for Erosion and Sediment Control.

ENVIRONMENTAL SERVICES DEPT.
SPRINGFIELD, MO.

CONSTRUCTION EXIT

UPDATED: AUG. 2018
BMP MANUAL

ENVIRONMENTAL SERVICES DEPT.
SPRINGFIELD, MO.

ROCK CHECK DAM

UPDATED: JAN 2020
BMP MANUAL

STATE OF MISSOURI
MIKE KEHOE,
GOVERNOR



Archimages
architecture | interiors
9300 W. 110th Street, Suite 235 Overland Park, KS 66210
www.archimages-stl.com p: (913) 378-9533

OFFICE OF ADMINISTRATION
DIVISION OF FACILITIES
MANAGEMENT,
DESIGN AND CONSTRUCTION

DEPARTMENT OF
PUBLIC SAFETY, DIVISION OF
MISSOURI VETERANS
COMMISSION

CONSTRUCT NEW
COLUMBARIUM WALL AND
PRE-PLACED CRYPTS
MISSOURI VETERANS
CEMETERY - SPRINGFIELD
SPRINGFIELD, MO

STATE OF MO # U2419-01
VCGP # MO-22-17
ARCHIMAGES # K26501
SITE # 6901
ASSET # 8136901009

REVISION: _____
DATE: _____
REVISION: _____
DATE: _____
REVISION: _____
DATE: _____
ISSUE DATE: 6/1/2026

CAD DWG FILE: -
DRAWN BY: - SG
CHECKED BY: - SM
DESIGNED BY: - SM

SHEET TITLE:

EROSION CONTROL
DETAILS

SHEET NUMBER:

C051



Archimages
architecture | interiors
9300 W. 110th Street, Suite 235 Overland Park, KS 66210
www.archimages-stl.com p: (913) 378-9533

OFFICE OF ADMINISTRATION
DIVISION OF FACILITIES
MANAGEMENT,
DESIGN AND CONSTRUCTION

DEPARTMENT OF
PUBLIC SAFETY, DIVISION OF
MISSOURI VETERANS
COMMISSION

CONSTRUCT NEW
COLUMBARIUM WALL AND
PRE-PLACED CRYPTS
MISSOURI VETERANS
CEMETERY - SPRINGFIELD
SPRINGFIELD, MO

STATE OF MO # U2419-01
VCGP # MO-22-17
ARCHIMAGES # K26501
SITE # 6901
ASSET # 8136901009

REVISION: _____
DATE: _____
REVISION: _____
DATE: _____
REVISION: _____
DATE: _____
ISSUE DATE : 6/1/2026

CAD DWG FILE: -
DRAWN BY: - SG
CHECKED BY: - SM
DESIGNED BY: - SM

SHEET TITLE:
**MONUMENT GRID
PLAN**

SHEET NUMBER:

C110



STATE OF MISSOURI
BOOK 2823, PAGE 815

GRATE INLET
TOP 1155.03
FL E 1151.35
FL W 1151.33

GRATE INLET
TOP 1155.06
FL W 1151.81

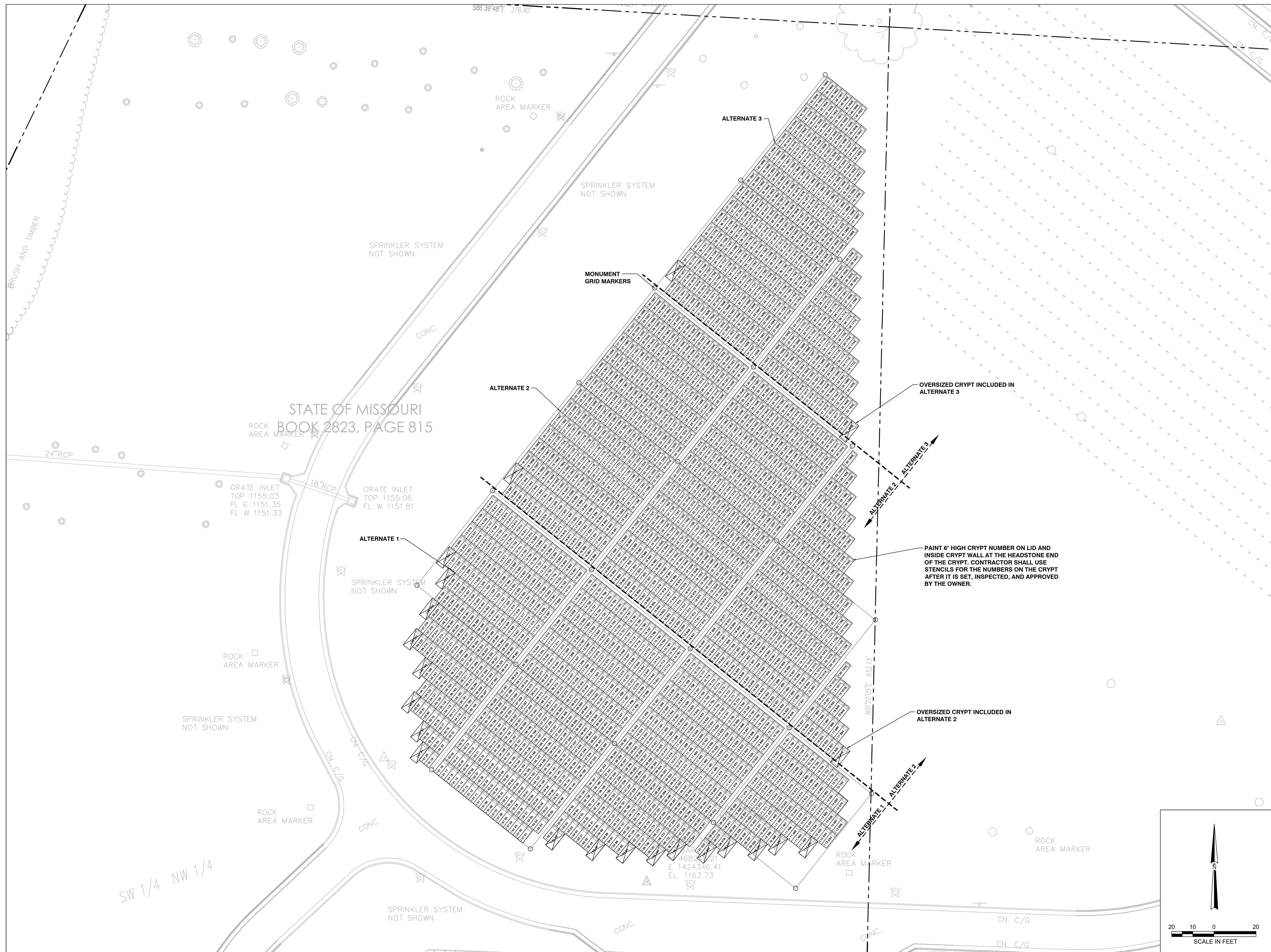
SPRINKLER SYSTEM
NOT SHOWN

SPRINKLER SYSTEM
NOT SHOWN

SPRINKLER SYSTEM
NOT SHOWN

SPRINKLER SYSTEM
NOT SHOWN

SW 1/4 NW 1/4



STATE OF MISSOURI
 MIKE KEHOE,
 GOVERNOR



Archimages
 architecture | interiors
 9300 W. 110th Street, Suite 235 Overland Park, KS 66210
 www.archimages-stl.com p: (913) 378-9533

OFFICE OF ADMINISTRATION
 DIVISION OF FACILITIES
 MANAGEMENT,
 DESIGN AND CONSTRUCTION

DEPARTMENT OF
 PUBLIC SAFETY, DIVISION OF
 MISSOURI VETERANS
 COMMISSION

CONSTRUCT NEW
 COLUMBARIUM WALL AND
 PRE-PLACED CRYPTS
 MISSOURI VETERANS
 CEMETERY - SPRINGFIELD
 SPRINGFIELD, MO

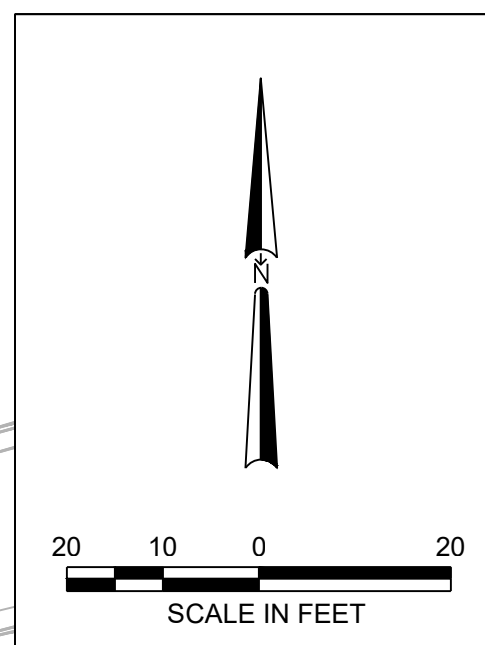
STATE OF MO # U2419-01
 VCGP # MO-22-17
 ARCHIMAGES # K26501
 SITE # 6901
 ASSET # 8136901009

REVISION: _____
 DATE: _____
 REVISION: _____
 DATE: _____
 REVISION: _____
 DATE: _____
 ISSUE DATE : 6/1/2026

CAD DWG FILE: -
 DRAWN BY: - SG
 CHECKED BY: - SM
 DESIGNED BY: - SM

SHEET TITLE:
**CRYPT AREA
 NUMBER PLAN**

SHEET NUMBER:
C120





Archimages
 architecture | interiors
 9300 W. 110th Street, Suite 235 Overland Park, KS 66210
 www.archimages-stl.com p: (913) 378-9533

OFFICE OF ADMINISTRATION
 DIVISION OF FACILITIES
 MANAGEMENT,
 DESIGN AND CONSTRUCTION

DEPARTMENT OF
 PUBLIC SAFETY, DIVISION OF
 MISSOURI VETERANS
 COMMISSION

CONSTRUCT NEW
 COLUMBARIUM WALL AND
 PRE-PLACED CRYPTS
 MISSOURI VETERANS
 CEMETERY - SPRINGFIELD
 SPRINGFIELD, MO

STATE OF MO # U2419-01
 VCGP # MO-22-17
 ARCHIMAGES # K26501
 SITE # 6901
 ASSET # 8136901009

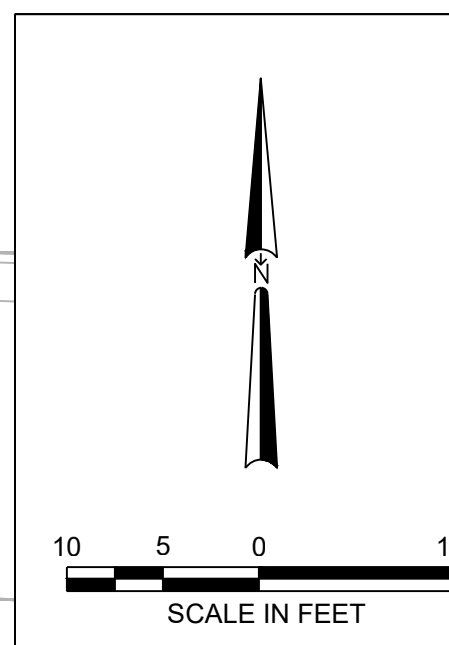
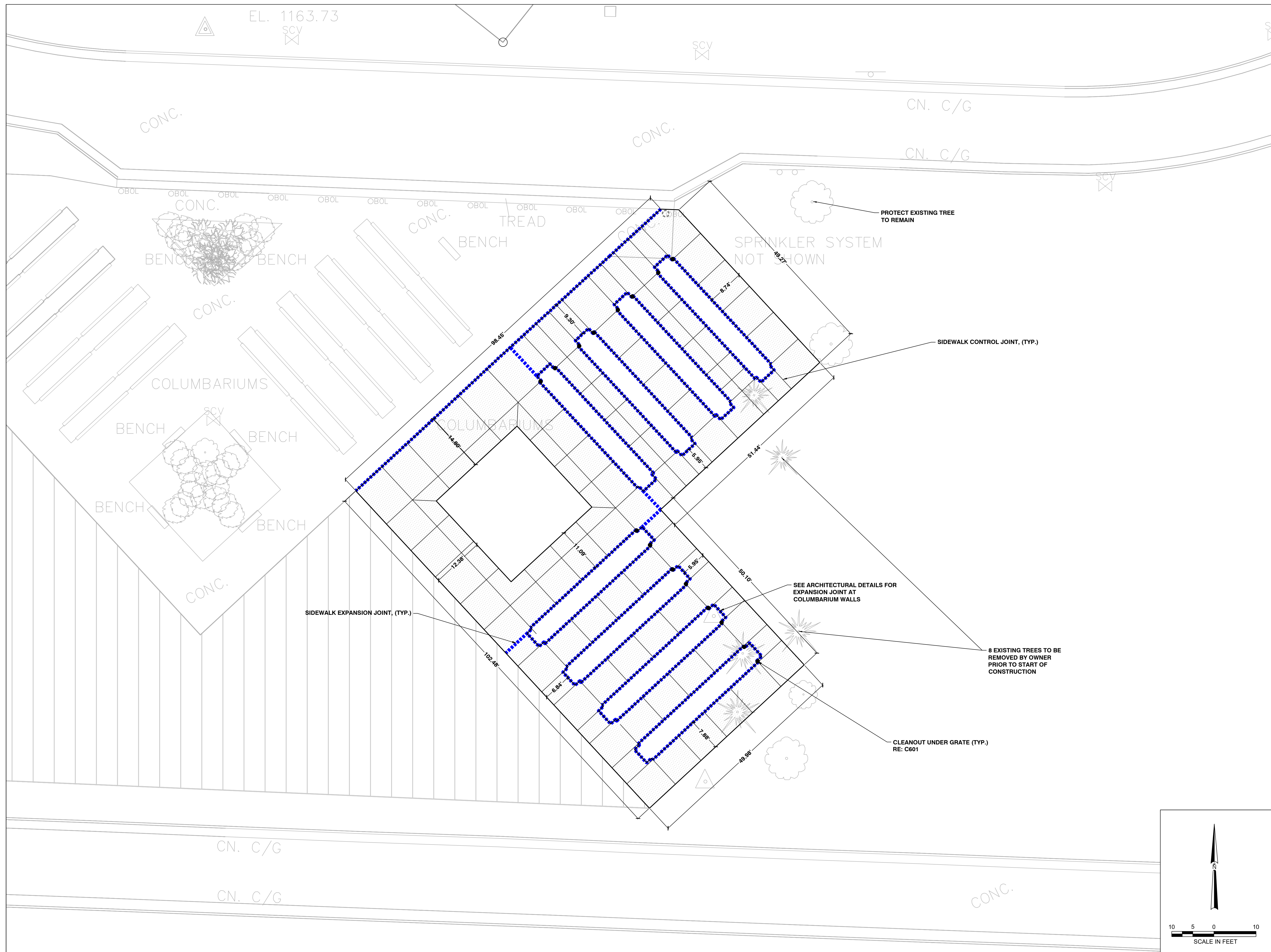
REVISION: _____
 DATE: _____
 REVISION: _____
 DATE: _____
 REVISION: _____
 DATE: _____
 ISSUE DATE : 6/1/2026

CAD DWG FILE: -
 DRAWN BY: - SG
 CHECKED BY: - SM
 DESIGNED BY: - SM

SHEET TITLE:
JOINTING PLAN

SHEET NUMBER:

C130



NOTE:

THIS GRADING REPRESENTS THE APPROXIMATE GRADING FOR DISPOSAL OF EXCAVATED MATERIAL FOR ALL 3 ALTERNATES. BASED ON WHICH ADD ALTERNATES ARE ACCEPTED, IF ANY, CONTRACTOR TO PLACE THE EXCAVATED MATERIAL STARTING FROM SOUTH END OF DISPOSAL AREA AND WORK NORTH.

NOTES:

1. FINISHED GRADES AS SHOWN FOR ENTIRE SITE ARE INCLUDED IN ALTERNATE 1.
2. EXISTING TOPSOIL TO BE STRIPPED AND STOCKPILED FOR REUSE.



STATE OF MISSOURI
MIKE KEHOE,
GOVERNOR



Archimages
architecture | interiors

9300 W. 110th Street, Suite 235 Overland Park, KS 66210
www.archimages-stl.com p: (913) 378-9533

OFFICE OF ADMINISTRATION
DIVISION OF FACILITIES
MANAGEMENT,
DESIGN AND CONSTRUCTION

DEPARTMENT OF
PUBLIC SAFETY, DIVISION OF
MISSOURI VETERANS
COMMISSION

CONSTRUCT NEW
COLUMBARIUM WALL AND
PRE-PLACED CRYPTS
MISSOURI VETERANS
CEMETERY - SPRINGFIELD
SPRINGFIELD, MO

STATE OF MO # U2419-01
 VCGP # MO-22-17
 ARCHIMAGES # K26501
 SITE # 6901
 ASSET # 8136901009

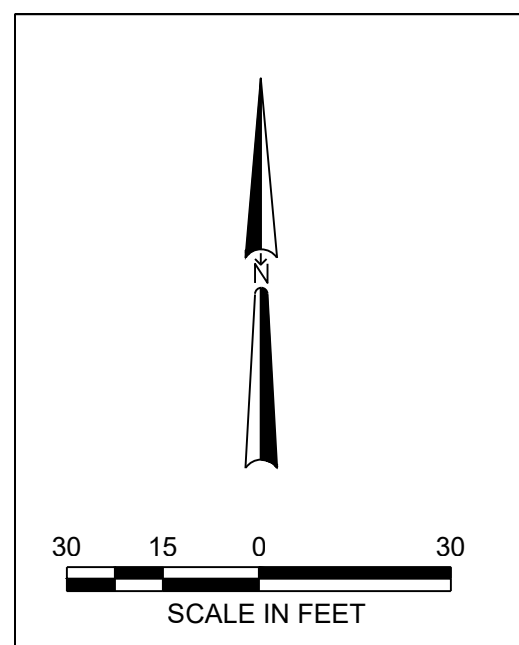
REVISION: _____
 DATE: _____
 REVISION: _____
 DATE: _____
 REVISION: _____
 DATE: _____
 ISSUE DATE : 6/1/2026

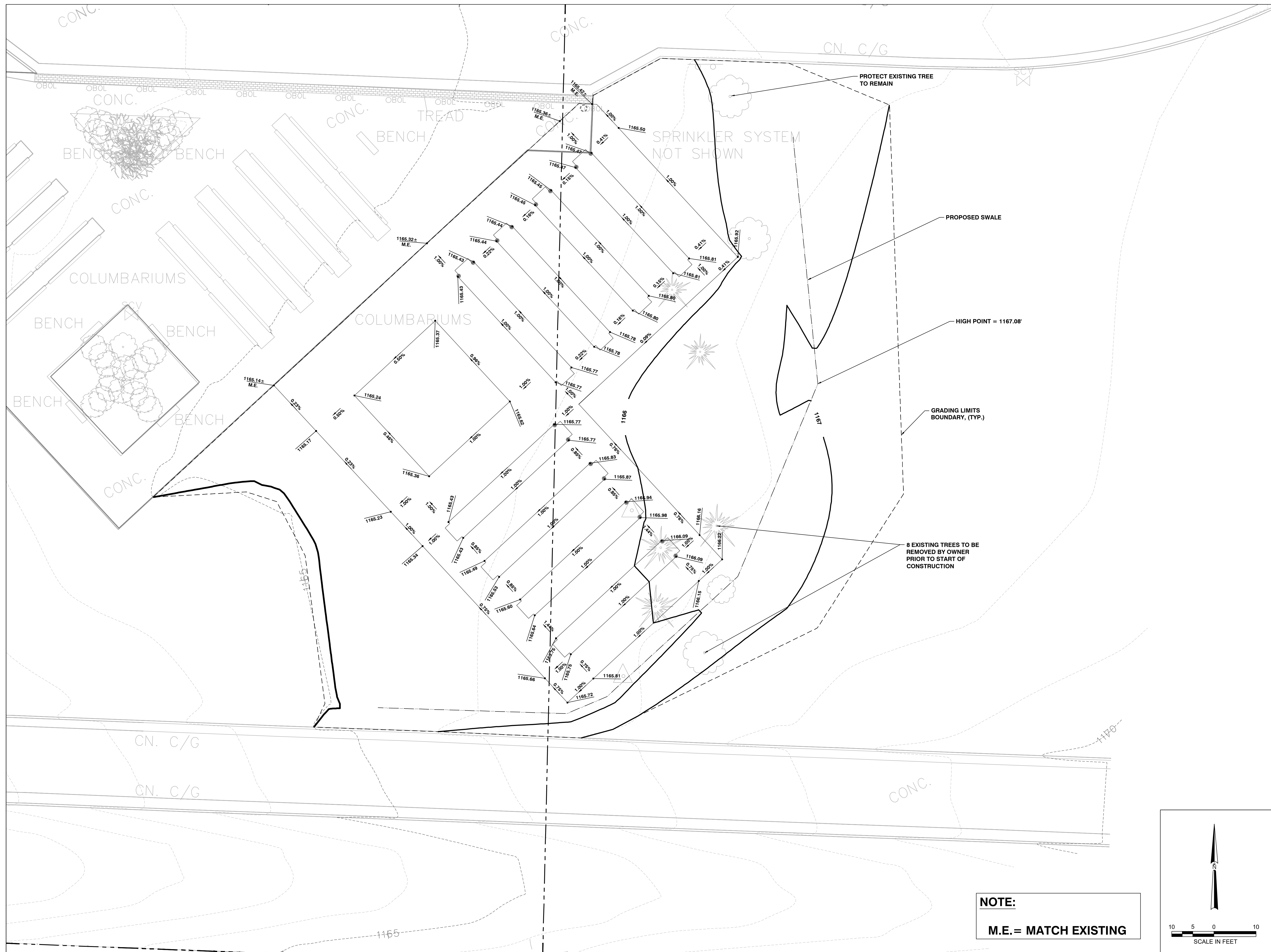
CAD DWG FILE: -
 DRAWN BY: - SG
 CHECKED BY: - SM
 DESIGNED BY: - SM

SHEET TITLE:
**OVERALL GRADING
PLAN**

SHEET NUMBER:

C300





NOTE:
M.E. = MATCH EXISTING

STATE OF MISSOURI
MIKE KEHOE,
GOVERNOR



Archimages
architecture | interiors
9300 W. 110th Street, Suite 235 Overland Park, KS 66210
www.archimages-stl.com p: (913) 378-9533

OFFICE OF ADMINISTRATION
DIVISION OF FACILITIES
MANAGEMENT,
DESIGN AND CONSTRUCTION

DEPARTMENT OF
PUBLIC SAFETY, DIVISION OF
MISSOURI VETERANS
COMMISSION

CONSTRUCT NEW
COLUMBARIUM WALL AND
PRE-PLACED CRYPTS
MISSOURI VETERANS
CEMETERY - SPRINGFIELD
SPRINGFIELD, MO

STATE OF MO # U2419-01
VCGP # MO-22-17
ARCHIMAGES # K26501
SITE # 6901
ASSET # 8136901009

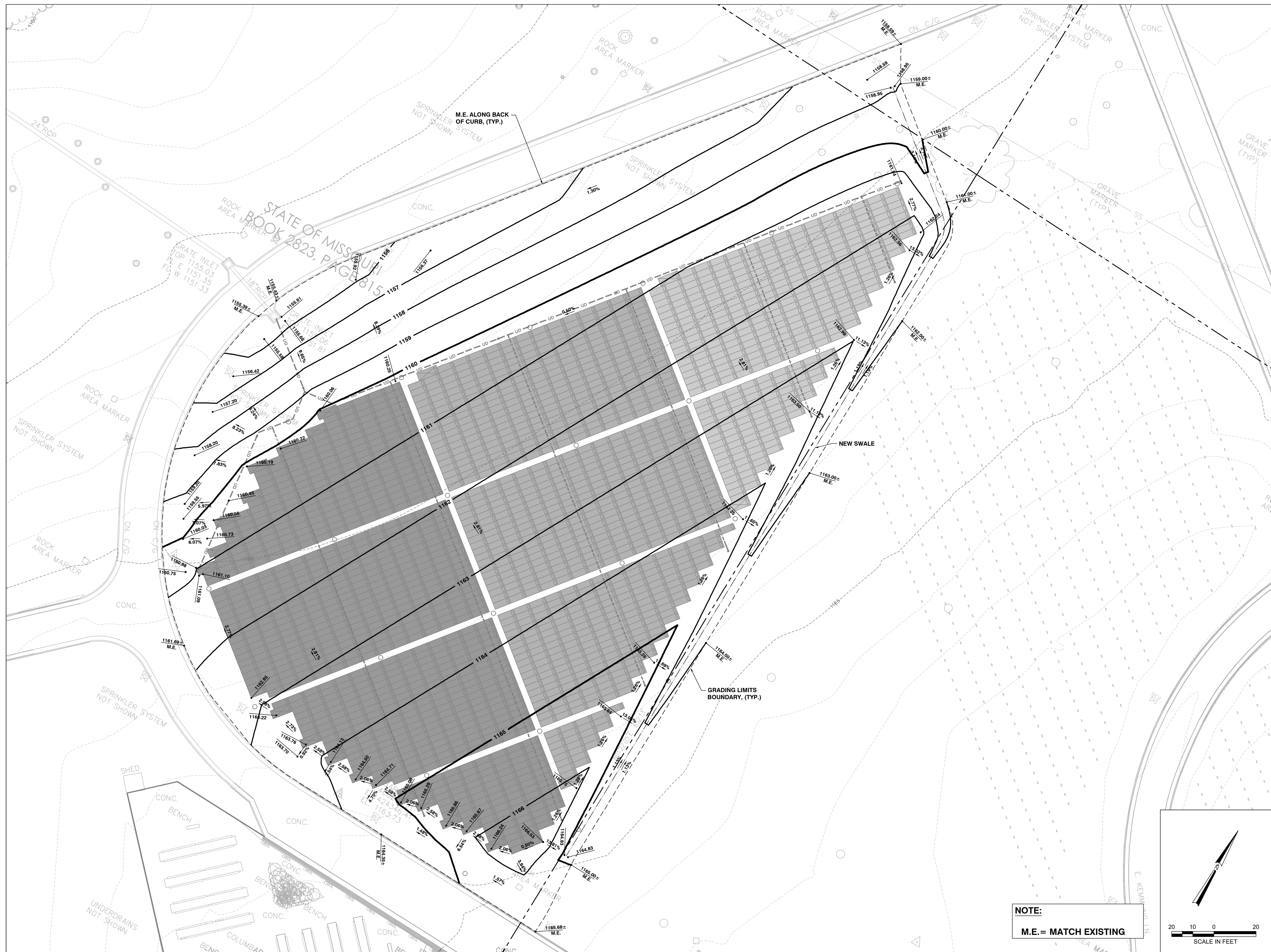
REVISION: _____
DATE: _____
REVISION: _____
DATE: _____
REVISION: _____
DATE: _____
ISSUE DATE : 6/1/2026

CAD DWG FILE: -
DRAWN BY: - SG
CHECKED BY: - SM
DESIGNED BY: - SM

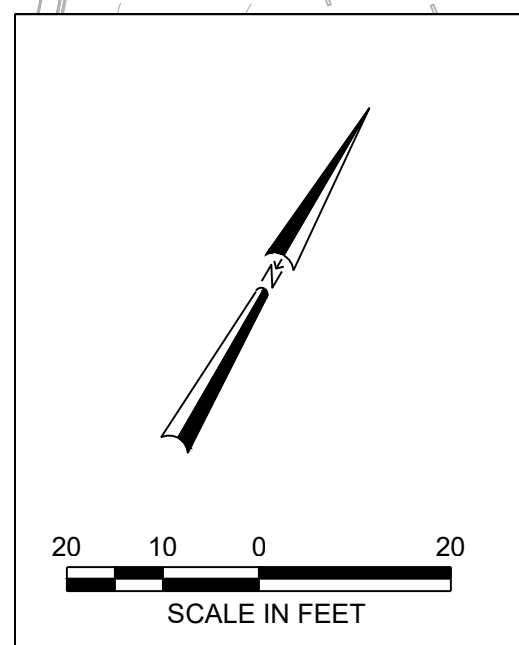
SHEET TITLE:
**ENLARGED
GRADING PLAN - 1**

SHEET NUMBER:

C310



NOTE:
M.E. = MATCH EXISTING



STATE OF MISSOURI
MIKE KEHOE,
GOVERNOR



Archimages
architecture | interiors
9300 W. 110th Street, Suite 235 Overland Park, KS 66210
www.archimages-stl.com p: (913) 378-9533

OFFICE OF ADMINISTRATION
DIVISION OF FACILITIES
MANAGEMENT,
DESIGN AND CONSTRUCTION

DEPARTMENT OF
PUBLIC SAFETY, DIVISION OF
MISSOURI VETERANS
COMMISSION

CONSTRUCT NEW
COLUMBARIUM WALL AND
PRE-PLACED CRYPTS
MISSOURI VETERANS
CEMETERY - SPRINGFIELD
SPRINGFIELD, MO

STATE OF MO # U2419-01
VCGP # MO-22-17
ARCHIMAGES # K26501
SITE # 6901
ASSET # 8136901009

REVISION: _____
DATE: _____
REVISION: _____
DATE: _____
REVISION: _____
DATE: _____
ISSUE DATE : 6/1/2026

CAD DWG FILE: -
DRAWN BY: - SG
CHECKED BY: - SM
DESIGNED BY: - SM

SHEET TITLE:
**ENLARGED
GRADING PLAN - 2**

SHEET NUMBER:

C311



STATE OF MISSOURI
 MIKE KEHOE,
 GOVERNOR



Archimages
 architecture | interiors
 9300 W. 110th Street, Suite 235 Overland Park, KS 66210
 www.archimages-stl.com p: (913) 378-9533

OFFICE OF ADMINISTRATION
 DIVISION OF FACILITIES
 MANAGEMENT,
 DESIGN AND CONSTRUCTION

DEPARTMENT OF
 PUBLIC SAFETY, DIVISION OF
 MISSOURI VETERANS
 COMMISSION

CONSTRUCT NEW
 COLUMBARIUM WALL AND
 PRE-PLACED CRYPTS
 MISSOURI VETERANS
 CEMETERY - SPRINGFIELD
 SPRINGFIELD, MO

STATE OF MO # U2419-01
 VCGP # MO-22-17
 ARCHIMAGES # K26501
 SITE # 6901
 ASSET # 8136901009

REVISION: _____
 DATE: _____
 REVISION: _____
 DATE: _____
 REVISION: _____
 DATE: _____
 ISSUE DATE : 6/1/2026

CAD DWG FILE: -
 DRAWN BY: - SG
 CHECKED BY: - SM
 DESIGNED BY: - SM

SHEET TITLE:
**GRADING PLAN @
 BOTTOM OF
 EXCAVATION**

SHEET NUMBER:

C312



Archimages
architecture | interiors
9300 W. 110th Street, Suite 235 Overland Park, KS 66210
www.archimages-stl.com p: (913) 378-9533

OFFICE OF ADMINISTRATION
DIVISION OF FACILITIES
MANAGEMENT,
DESIGN AND CONSTRUCTION

DEPARTMENT OF
PUBLIC SAFETY, DIVISION OF
MISSOURI VETERANS
COMMISSION

CONSTRUCT NEW
COLUMBARIUM WALL AND
PRE-PLACED CRYPTS
MISSOURI VETERANS
CEMETERY - SPRINGFIELD
SPRINGFIELD, MO

STATE OF MO # U2419-01
VCGP # MO-22-17
ARCHIMAGES # K26501
SITE # 6901
ASSET # 8136901009

REVISION: _____
DATE: _____
REVISION: _____
DATE: _____
REVISION: _____
DATE: _____
ISSUE DATE: 6/1/2026

CAD DWG FILE: -
DRAWN BY: - SG
CHECKED BY: - SM
DESIGNED BY: - SM

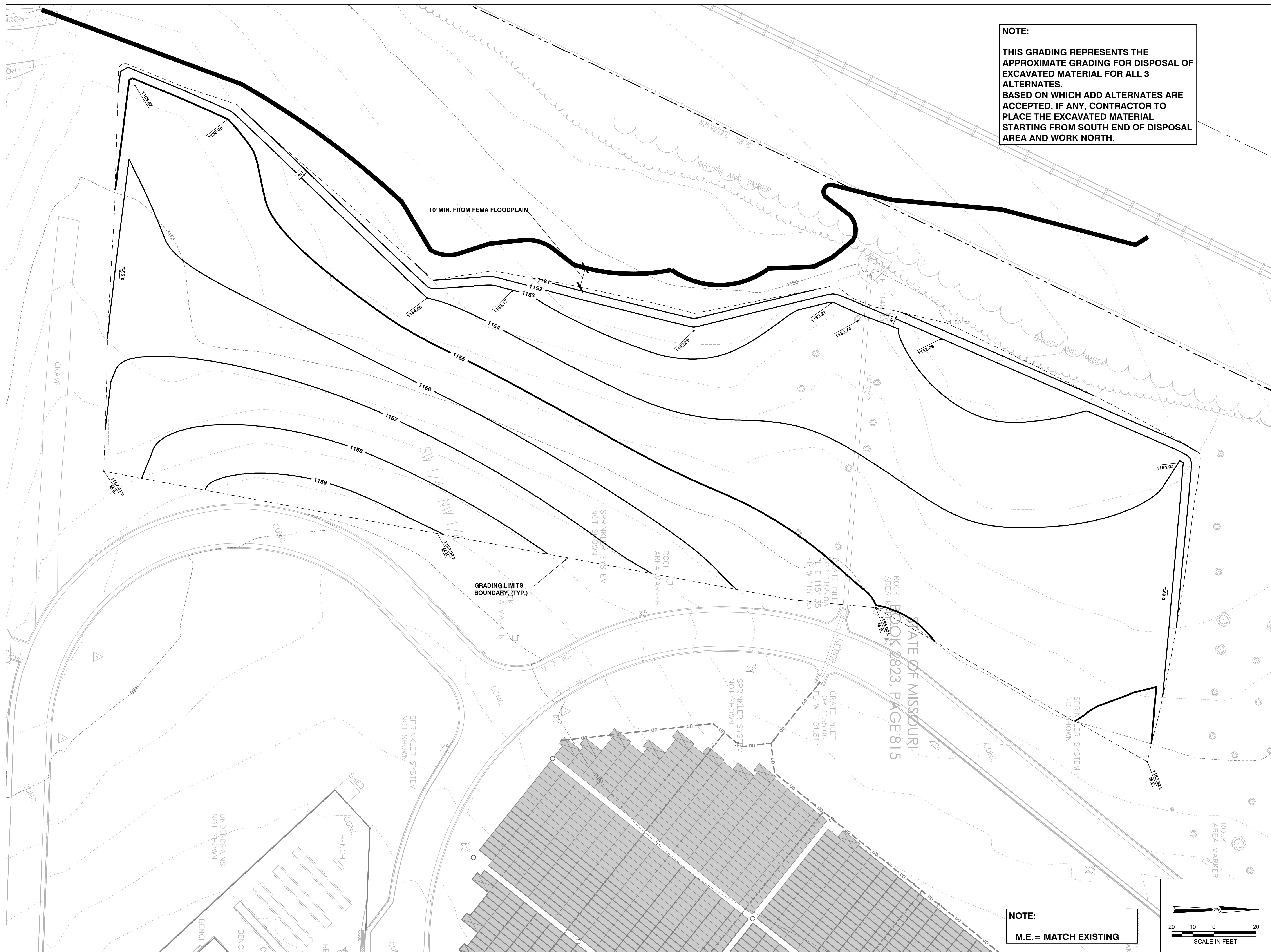
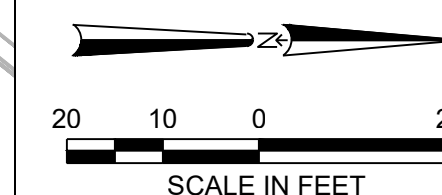
SHEET TITLE:
**EXCAVATED
MATERIAL DISPOSAL
GRADING PLAN**

SHEET NUMBER:

C313

NOTE:
THIS GRADING REPRESENTS THE APPROXIMATE GRADING FOR DISPOSAL OF EXCAVATED MATERIAL FOR ALL 3 ALTERNATES.
BASED ON WHICH ADD ALTERNATES ARE ACCEPTED, IF ANY, CONTRACTOR TO PLACE THE EXCAVATED MATERIAL STARTING FROM SOUTH END OF DISPOSAL AREA AND WORK NORTH.

NOTE:
M.E. = MATCH EXISTING





Archimages
architecture | interiors

9300 W. 110th Street, Suite 235 Overland Park, KS 66210
www.archimages-stl.com p: (913) 378-9533

OFFICE OF ADMINISTRATION
DIVISION OF FACILITIES
MANAGEMENT,
DESIGN AND CONSTRUCTION

DEPARTMENT OF
PUBLIC SAFETY, DIVISION OF
MISSOURI VETERANS
COMMISSION

CONSTRUCT NEW
COLUMBARIUM WALL AND
PRE-PLACED CRYPTS
MISSOURI VETERANS
CEMETERY - SPRINGFIELD
SPRINGFIELD, MO

STATE OF MO # U2419-01
VCGP # MO-22-17
ARCHIMAGES # K26501
SITE # 6901
ASSET # 8136901009

REVISION: _____
DATE: _____
REVISION: _____
DATE: _____
REVISION: _____
DATE: _____
ISSUE DATE : 6/1/2026

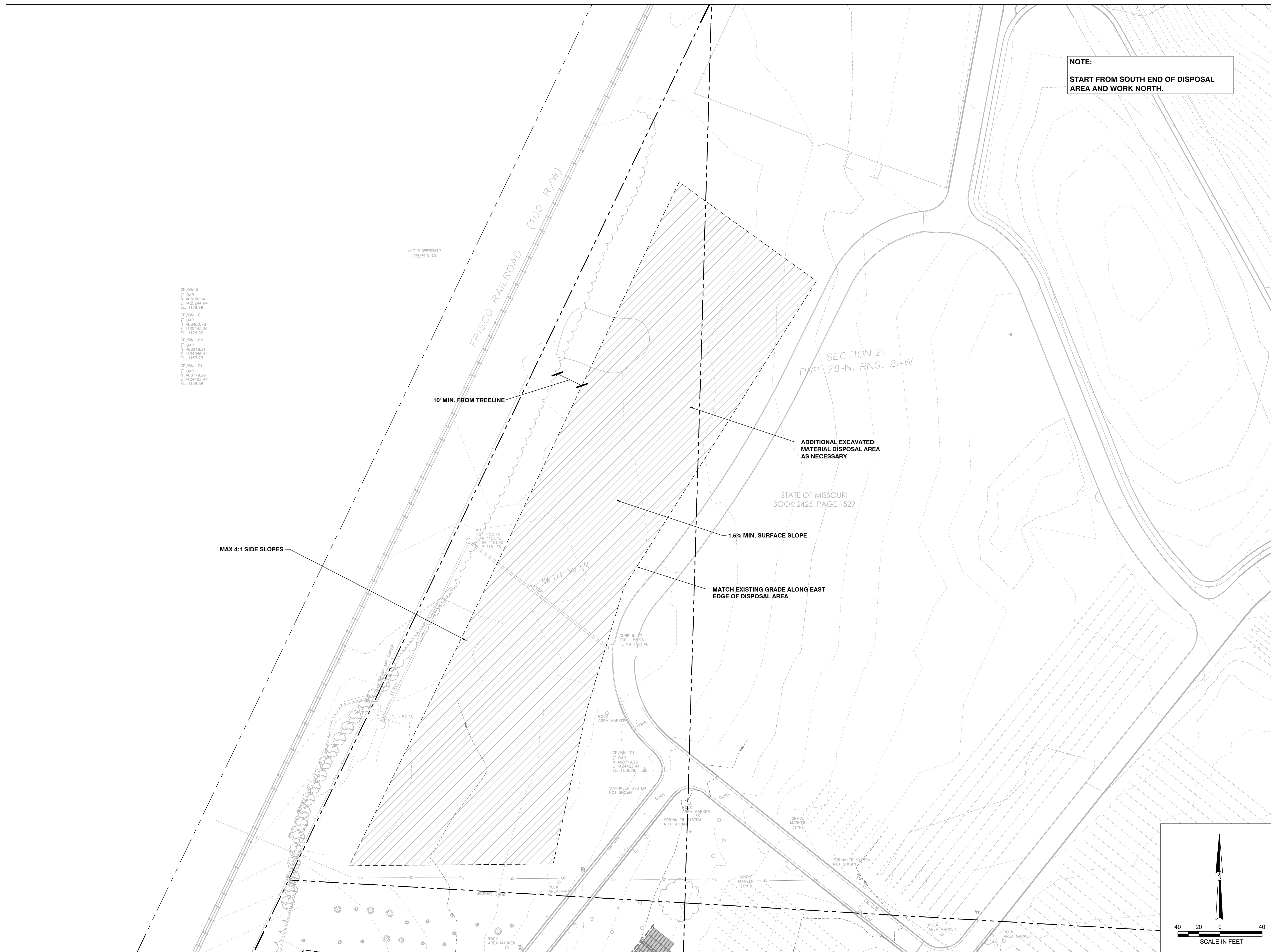
CAD DWG FILE: -
DRAWN BY: - SG
CHECKED BY: - SM
DESIGNED BY: - SM

SHEET TITLE:
EXCAVATED MATERIAL
ADDITIONAL DISPOSAL
AREA

SHEET NUMBER:

C314

NOTE:
START FROM SOUTH END OF DISPOSAL
AREA AND WORK NORTH.

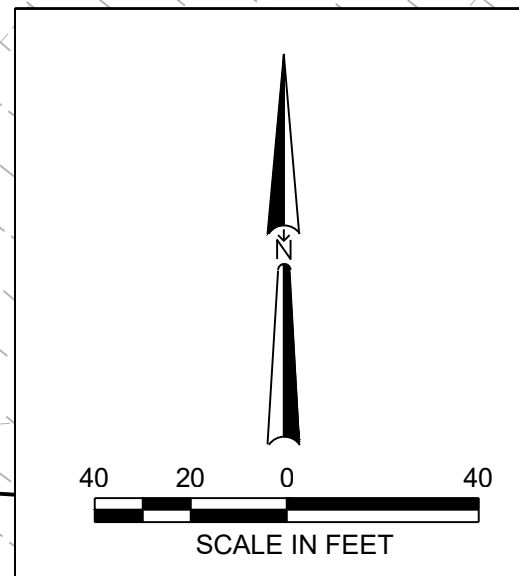


CP/BM 6
2' BAR
N 468180.04
E 1425244.64
EL. 1179.99

CP/BM 10
2' BAR
N 468460.78
E 1425440.36
EL. 1174.92

CP/BM 100
2' BAR
N 468244.21
E 1424346.41
EL. 1183.73

CP/BM 101
2' BAR
N 468779.26
E 1424423.44
EL. 1158.58





Archimages
architecture | interiors

9300 W. 110th Street, Suite 235 Overland Park, KS 66210
www.archimages-stl.com p: (913) 378-9533

OFFICE OF ADMINISTRATION
DIVISION OF FACILITIES
MANAGEMENT,
DESIGN AND CONSTRUCTION

DEPARTMENT OF
PUBLIC SAFETY, DIVISION OF
MISSOURI VETERANS
COMMISSION

CONSTRUCT NEW
COLUMBARIUM WALL AND
PRE-PLACED CRYPTS
MISSOURI VETERANS
CEMETERY - SPRINGFIELD
SPRINGFIELD, MO

STATE OF MO # U2419-01
VCGP # MO-22-17
ARCHIMAGES # K26501
SITE # 6901
ASSET # 8136901009

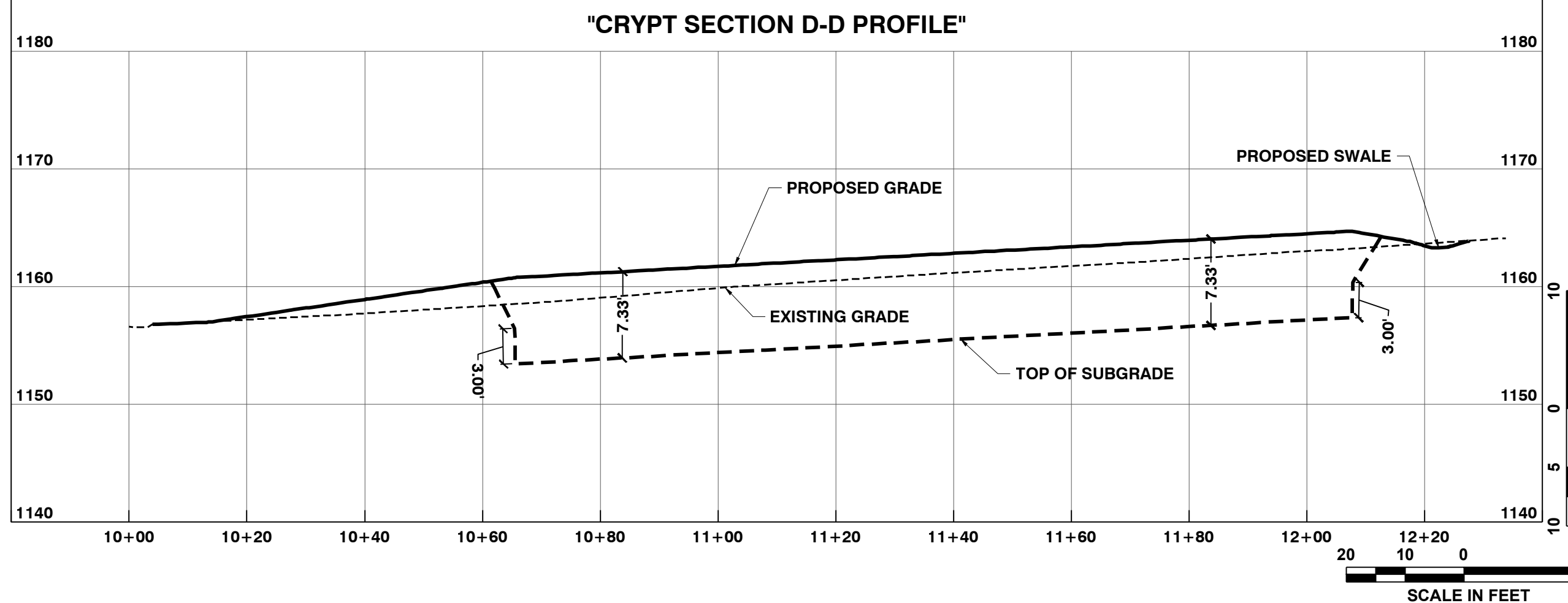
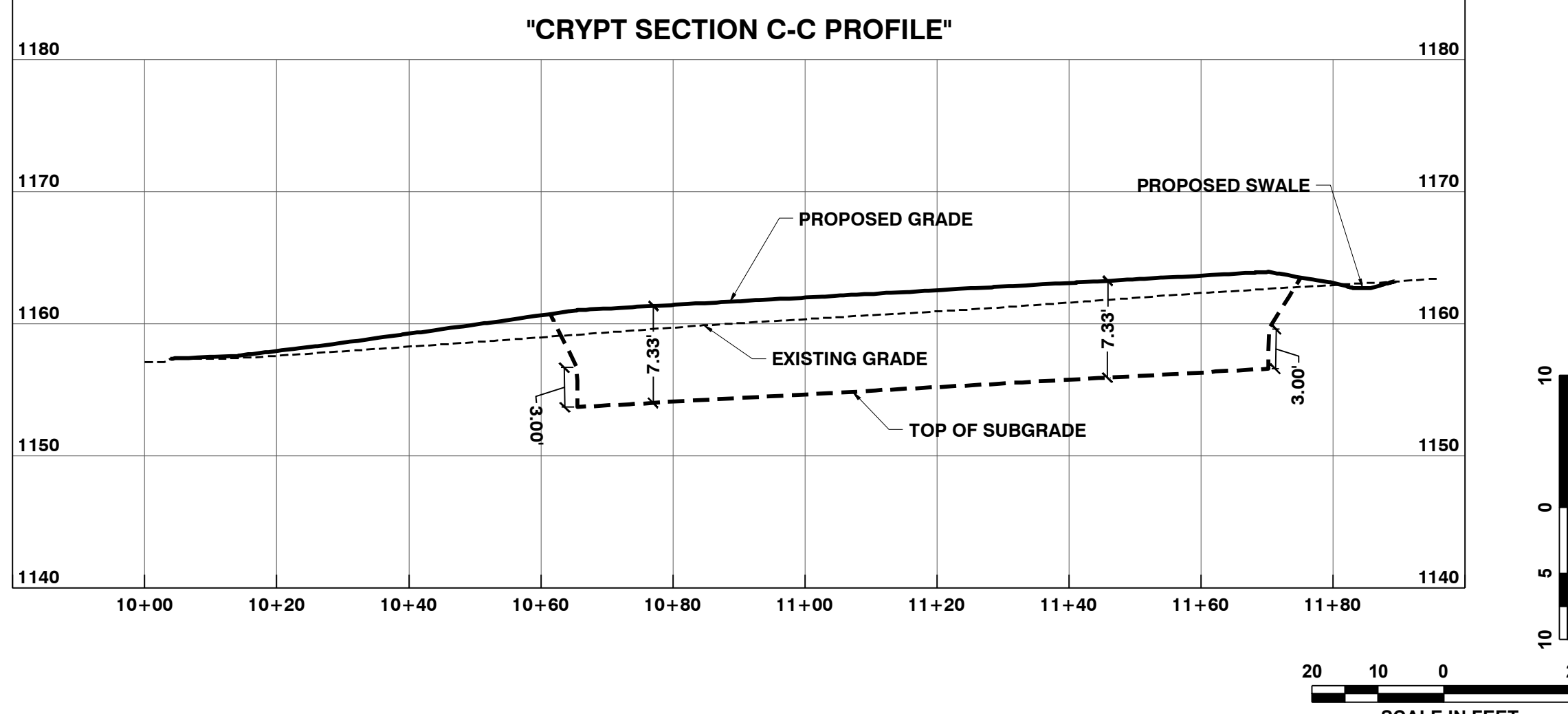
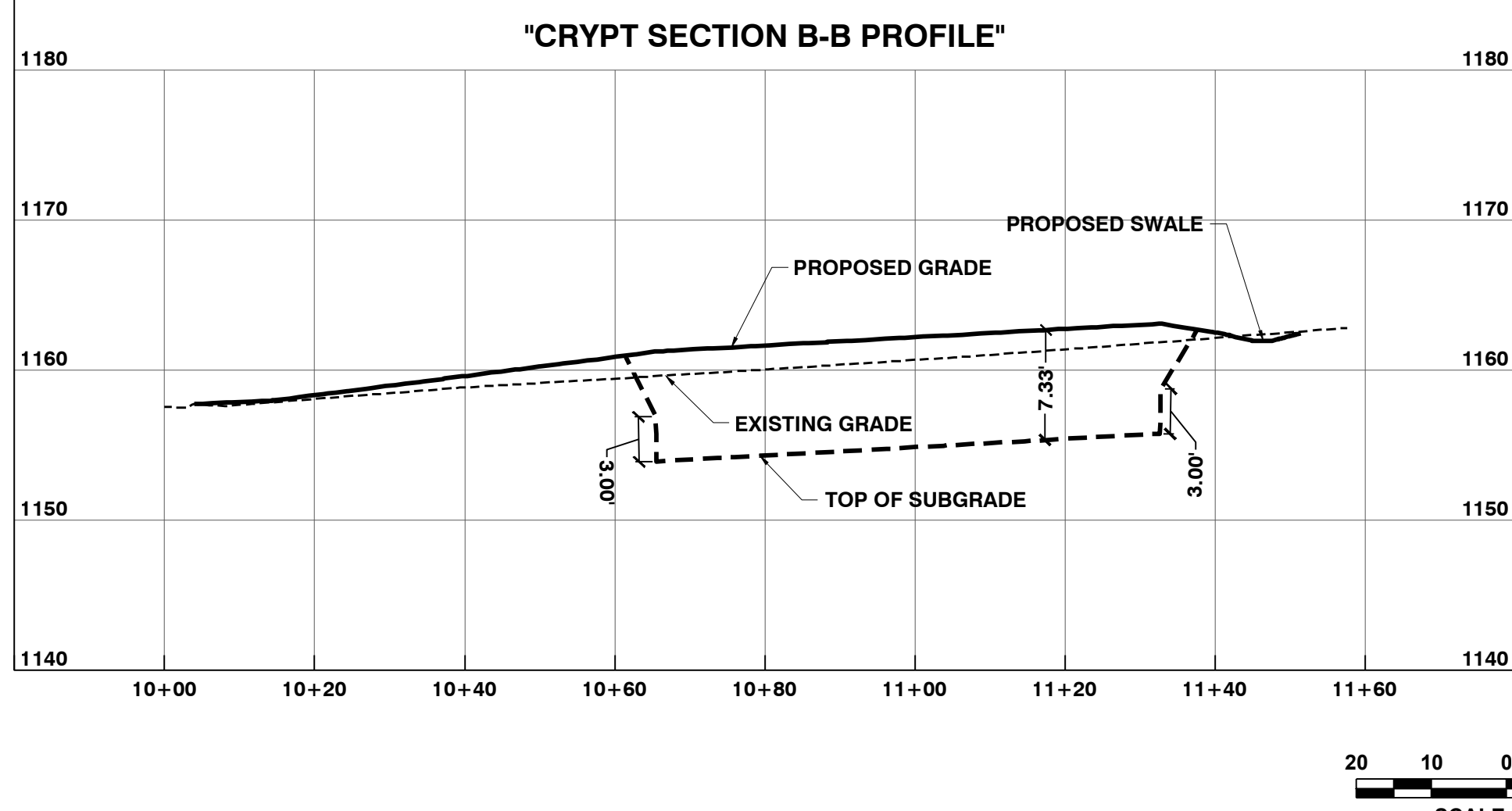
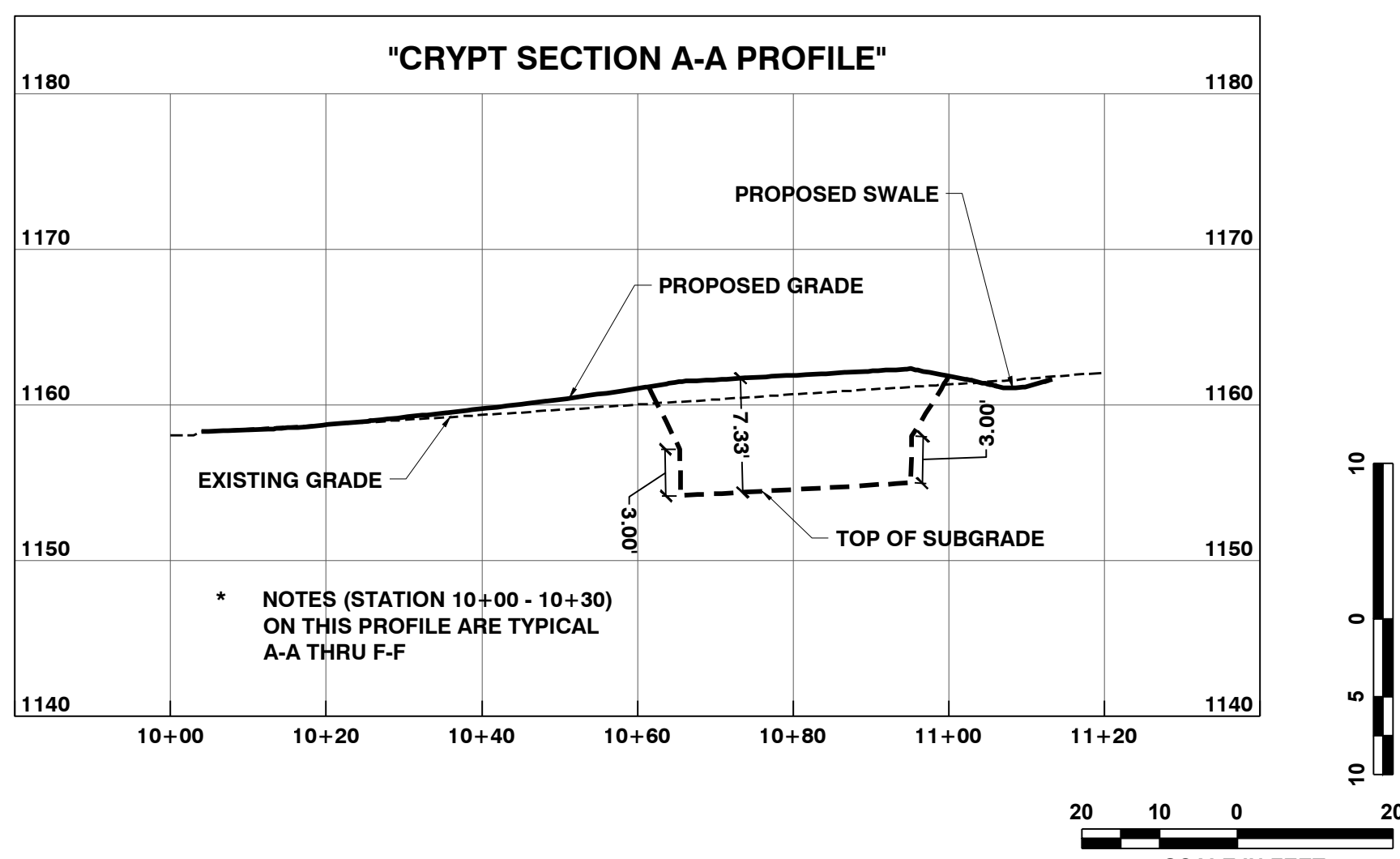
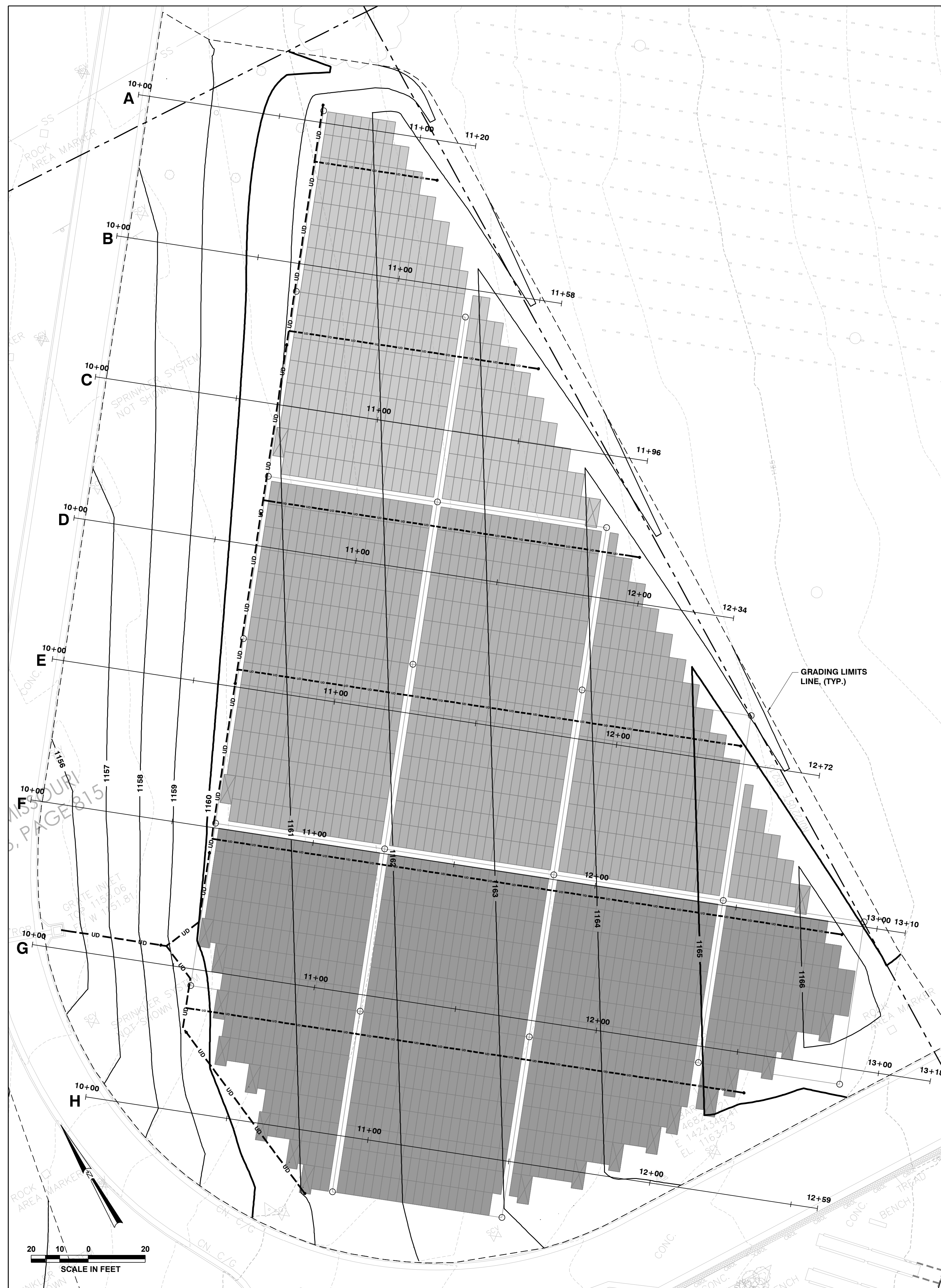
REVISION: _____
DATE: _____
REVISION: _____
DATE: _____
REVISION: _____
DATE: _____
ISSUE DATE : 6/1/2026

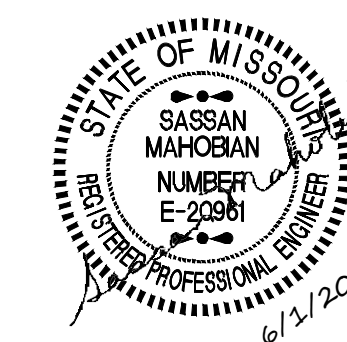
CAD DWG FILE: -
DRAWN BY: - SG
CHECKED BY: - SM
DESIGNED BY: - SM

SHEET TITLE:
SITE SECTIONS - 1

SHEET NUMBER:

C320





Archimages
architecture | interiors

9300 W. 110th Street, Suite 235 Overland Park, KS 66210
www.archimages-stl.com p: (913) 378-9533

OFFICE OF ADMINISTRATION
DIVISION OF FACILITIES
MANAGEMENT,
DESIGN AND CONSTRUCTION

DEPARTMENT OF
PUBLIC SAFETY, DIVISION OF
MISSOURI VETERANS
COMMISSION

CONSTRUCT NEW
COLUMBARIUM WALL AND
PRE-PLACED CRYPTS
MISSOURI VETERANS
CEMETERY - SPRINGFIELD
SPRINGFIELD, MO

STATE OF MO # U2419-01
VCGP # MO-22-17
ARCHIMAGES # K26501
SITE # 6901
ASSET # 8136901009

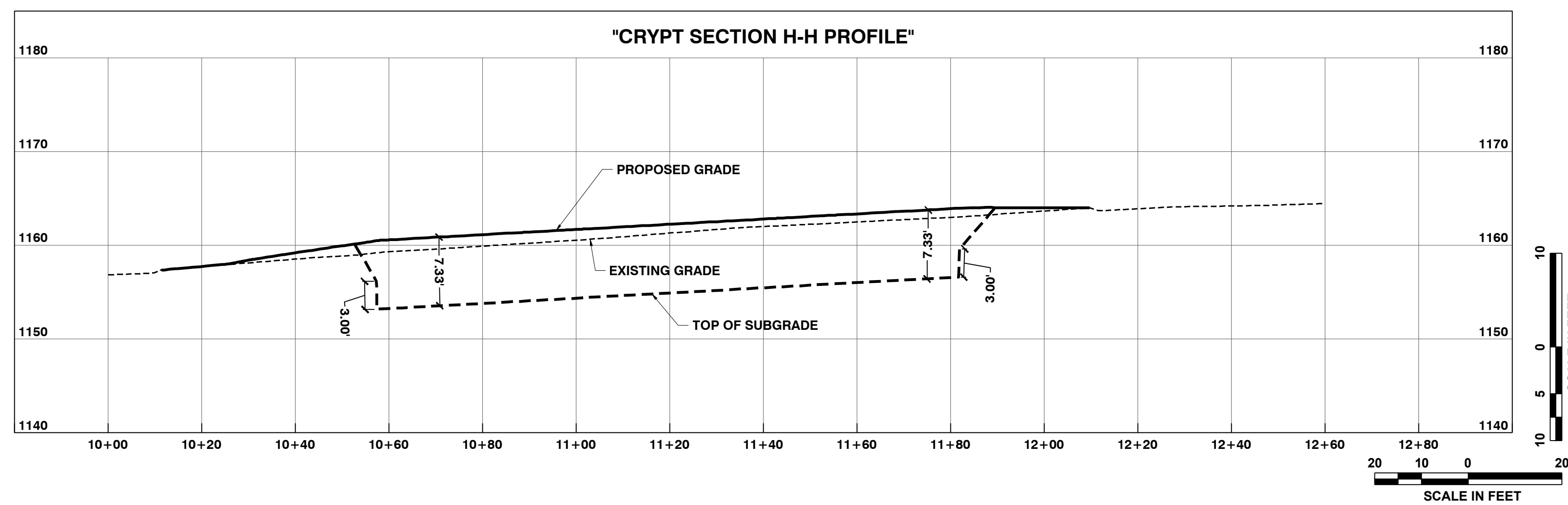
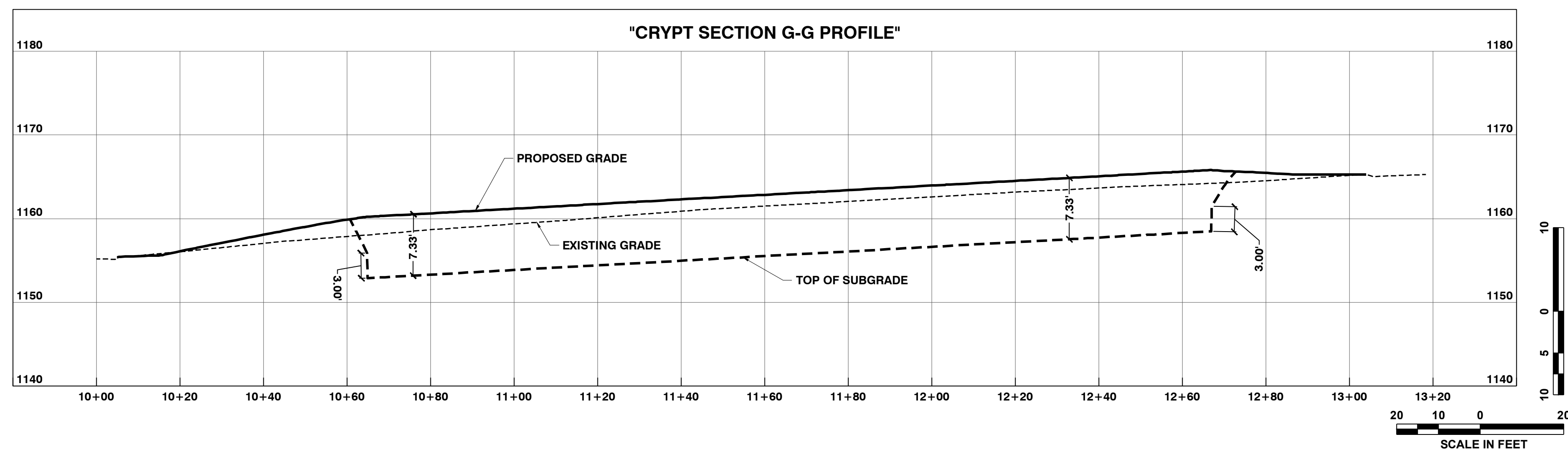
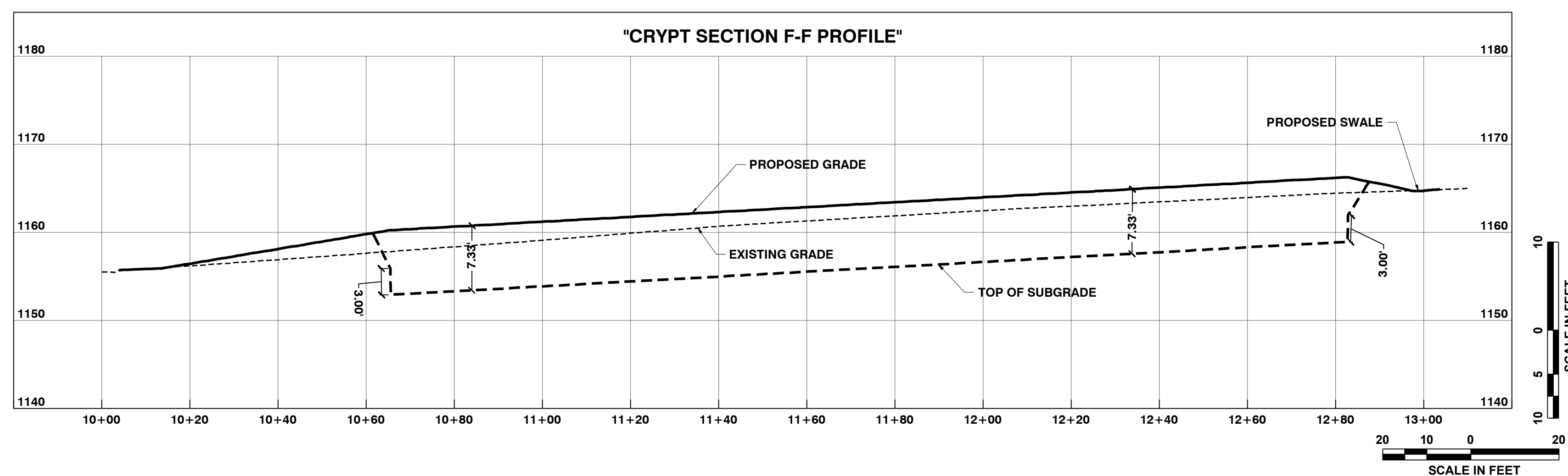
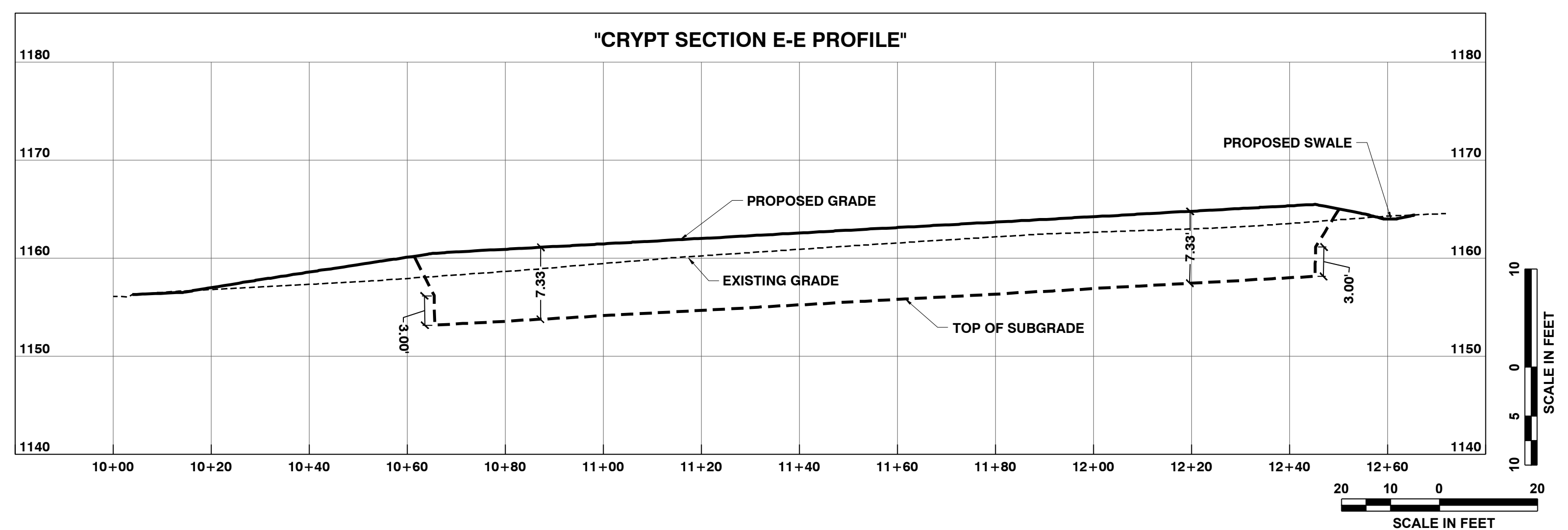
REVISION: _____
DATE: _____
REVISION: _____
DATE: _____
REVISION: _____
DATE: _____
ISSUE DATE : 6/1/2026

CAD DWG FILE: -
DRAWN BY: - SG
CHECKED BY: - SM
DESIGNED BY: - SM

SHEET TITLE:
SITE SECTIONS - 2

SHEET NUMBER:

C321





Archimages
architecture | interiors

9300 W. 110th Street, Suite 235 Overland Park, KS 66210
www.archimages-stl.com p: (913) 378-9533

OFFICE OF ADMINISTRATION
DIVISION OF FACILITIES
MANAGEMENT,
DESIGN AND CONSTRUCTION

DEPARTMENT OF
PUBLIC SAFETY, DIVISION OF
MISSOURI VETERANS
COMMISSION

CONSTRUCT NEW
COLUMBARIUM WALL AND
PRE-PLACED CRYPTS
MISSOURI VETERANS
CEMETERY - SPRINGFIELD
SPRINGFIELD, MO

STATE OF MO # U2419-01
VCGP # MO-22-17
ARCHIMAGES # K26501
SITE # 6901
ASSET # 8136901009

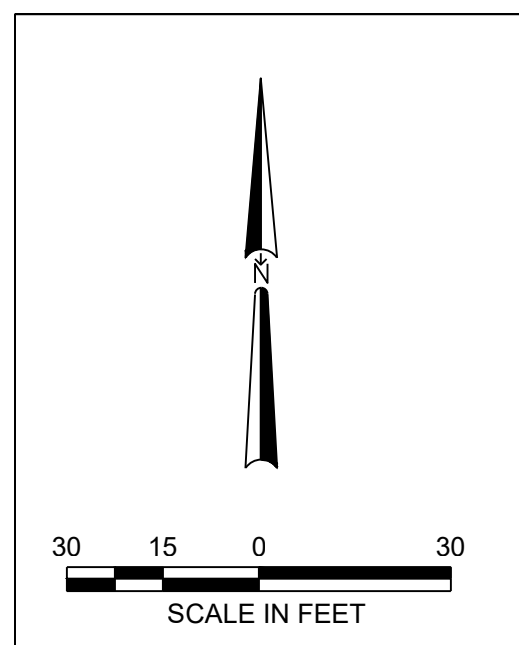
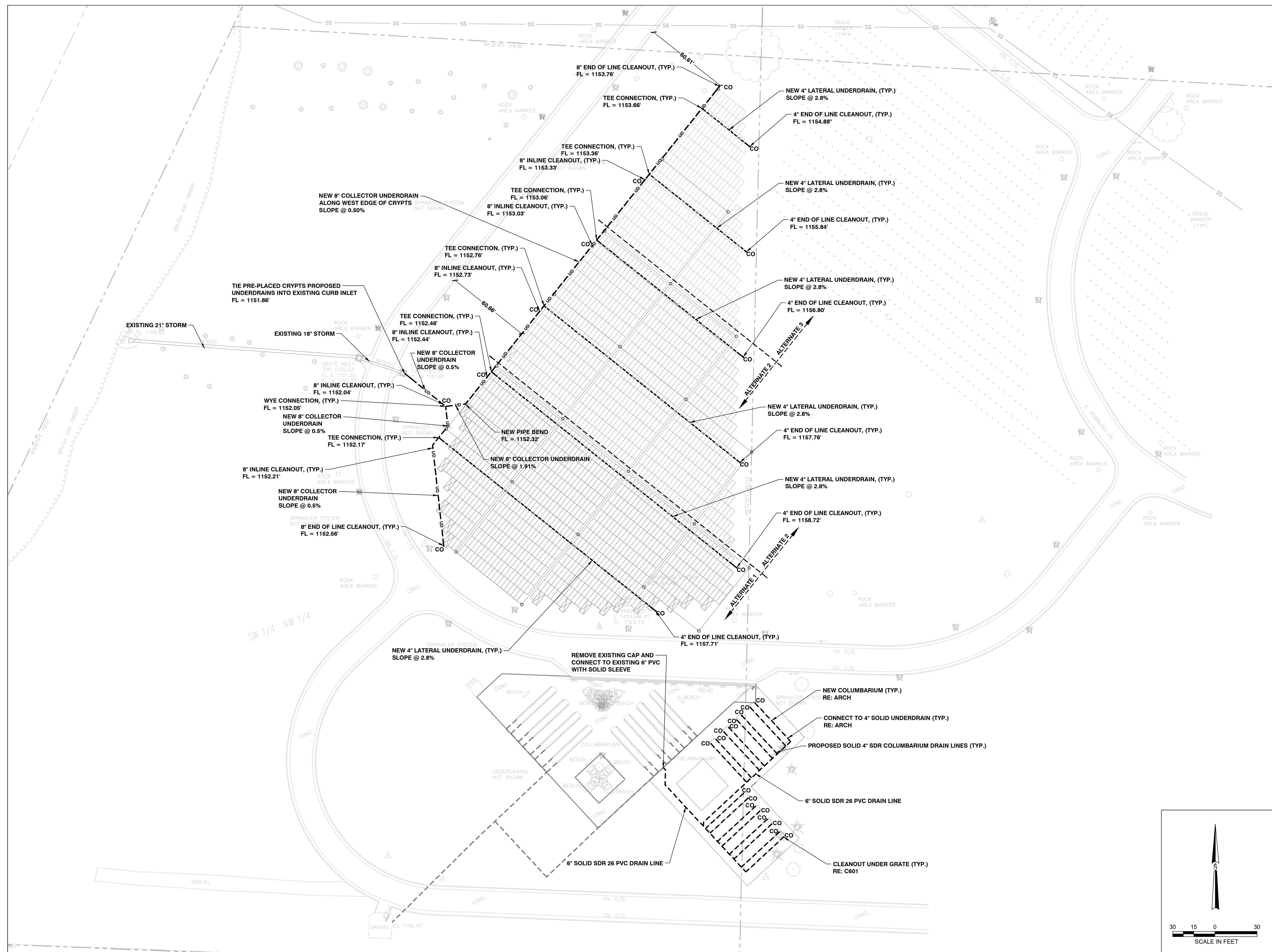
REVISION: _____
DATE: _____
REVISION: _____
DATE: _____
REVISION: _____
DATE: _____
ISSUE DATE : 6/1/2026

CAD DWG FILE: -
DRAWN BY: - SG
CHECKED BY: - SM
DESIGNED BY: - SM

SHEET TITLE:
SITE UTILITIES PLAN

SHEET NUMBER:

C400





Archimages
architecture | interiors
9300 W. 110th Street, Suite 235 Overland Park, KS 66210
www.archimages-stl.com p: (913) 378-9533

OFFICE OF ADMINISTRATION
DIVISION OF FACILITIES
MANAGEMENT,
DESIGN AND CONSTRUCTION

DEPARTMENT OF
PUBLIC SAFETY, DIVISION OF
MISSOURI VETERANS
COMMISSION

CONSTRUCT NEW
COLUMBARIUM WALL AND
PRE-PLACED CRYPTS
MISSOURI VETERANS
CEMETERY - SPRINGFIELD
SPRINGFIELD, MO

STATE OF MO # U2419-01
VCGP # MO-22-17
ARCHIMAGES # K26501
SITE # 6901
ASSET # 8136901009

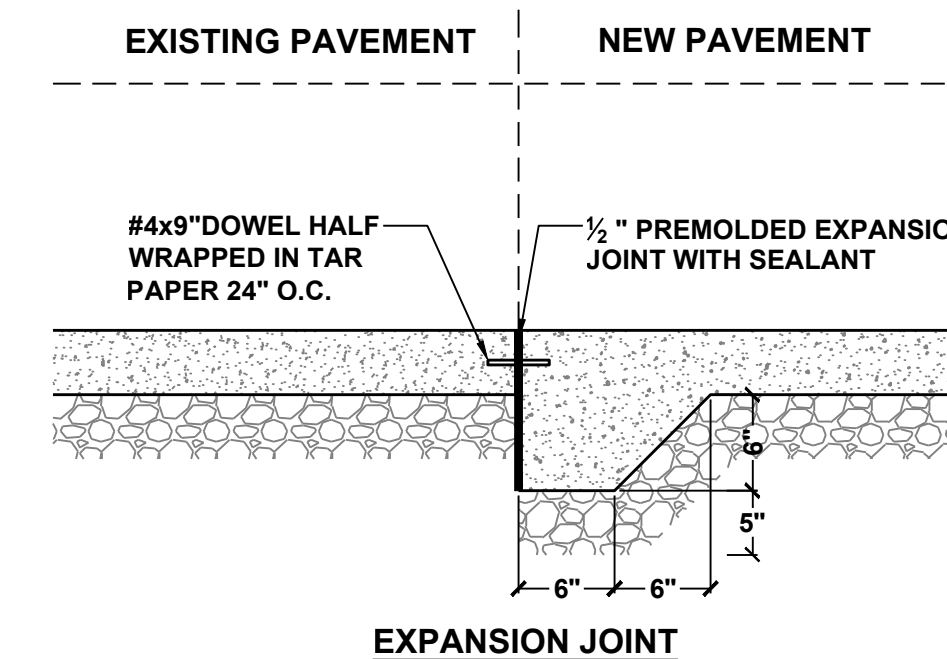
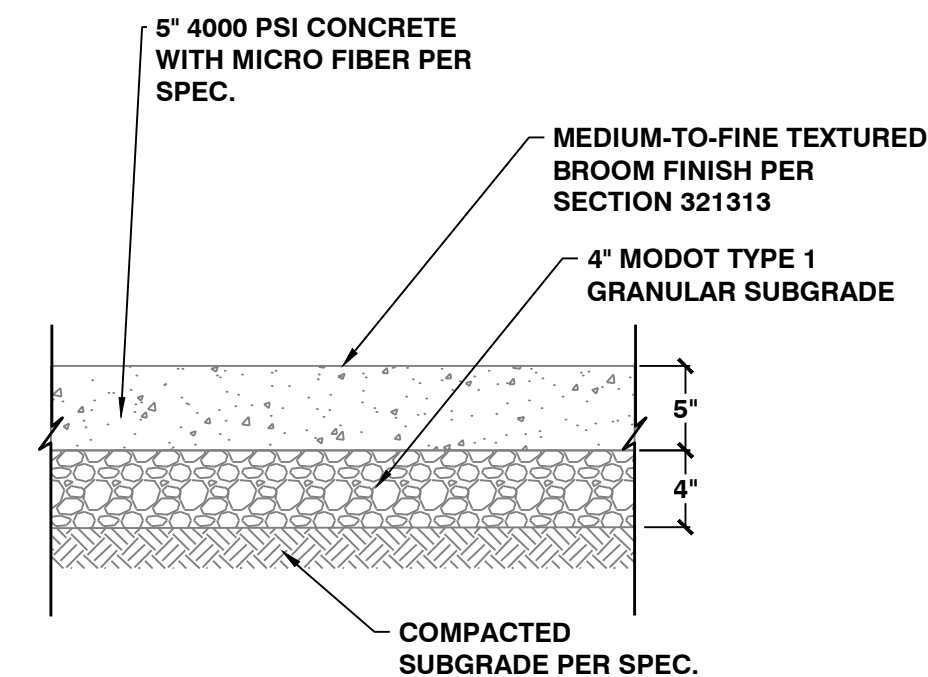
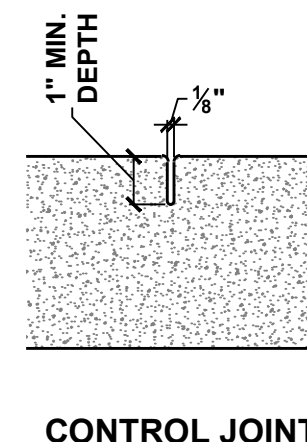
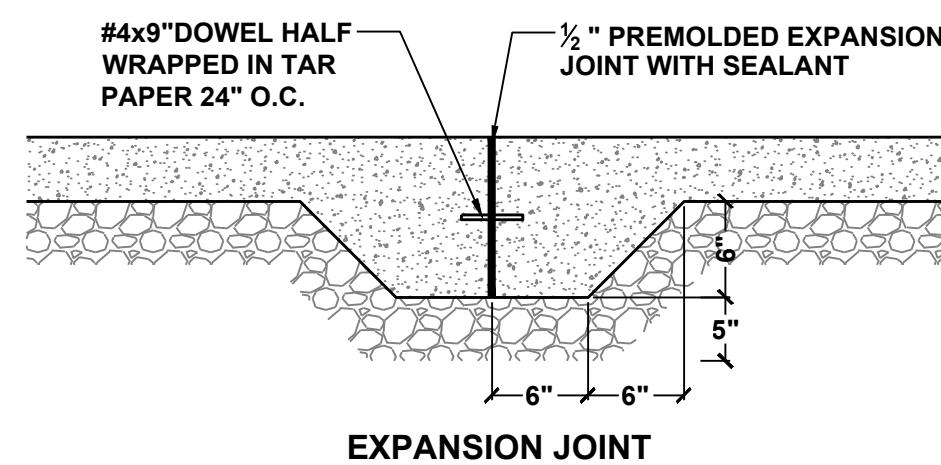
REVISION: _____
DATE: _____
REVISION: _____
DATE: _____
REVISION: _____
DATE: _____
ISSUE DATE : 6/1/2026

CAD DWG FILE: -
DRAWN BY: - SG
CHECKED BY: - SM
DESIGNED BY: - SM

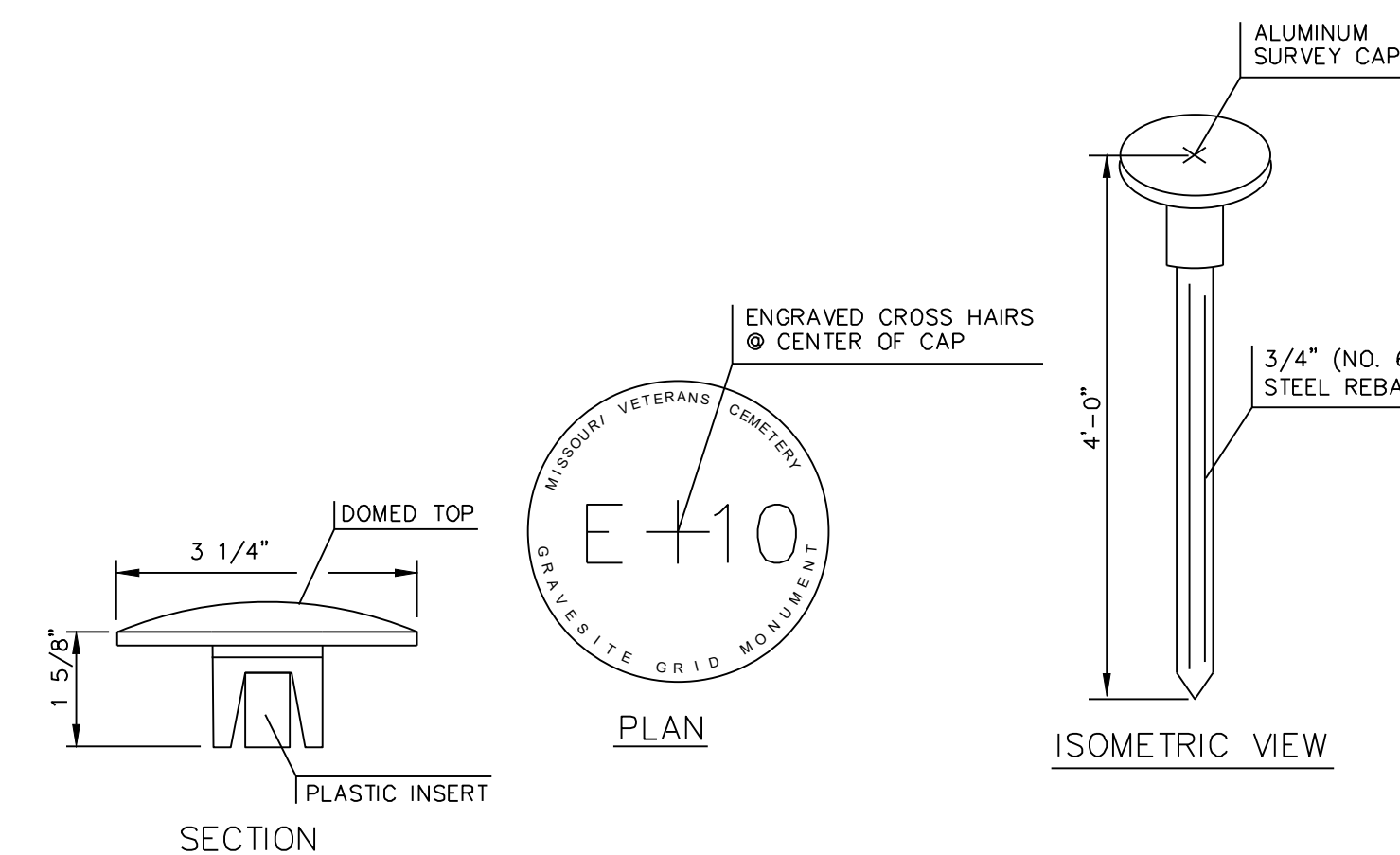
SHEET TITLE:
SITE DETAILS-1

SHEET NUMBER:

C600



NOTE:
PLACE CAPS WITH ENGRAVED
MARKER NUMBERS AS
INDICATED ON THIS SHEET.



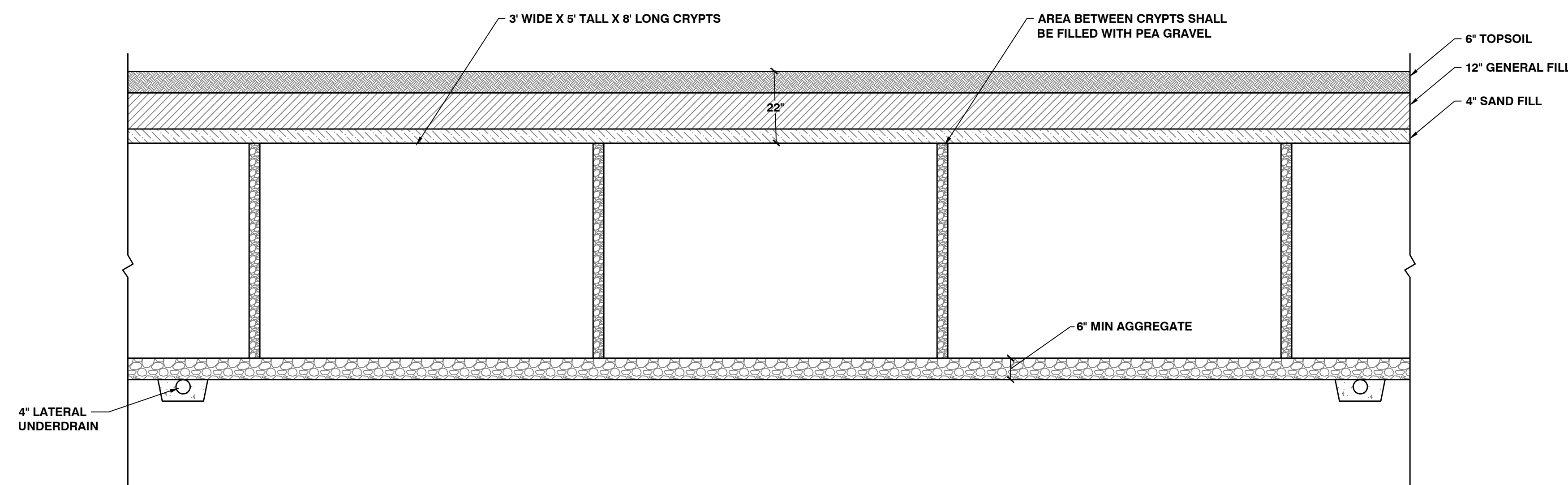
1 SIDEWALK JOINT DETAILS
(SECTION 321313) Not to Scale

2 TYPICAL 5" SIDEWALK DETAIL
(SECTION 321313) Not to Scale

3 TYPICAL EXPANSION JOINT @ EXISTING CONCRETE PAVEMENT
(SECTION 321313) Not to Scale

4 TYPICAL TRANSVERSE SECTION THROUGH CRYPTS
Not to Scale

5 SURVEY MONUMENT DETAIL
Not to Scale



6 TYPICAL LONGITUDINAL SECTION THROUGH CRYPTS
Not to Scale



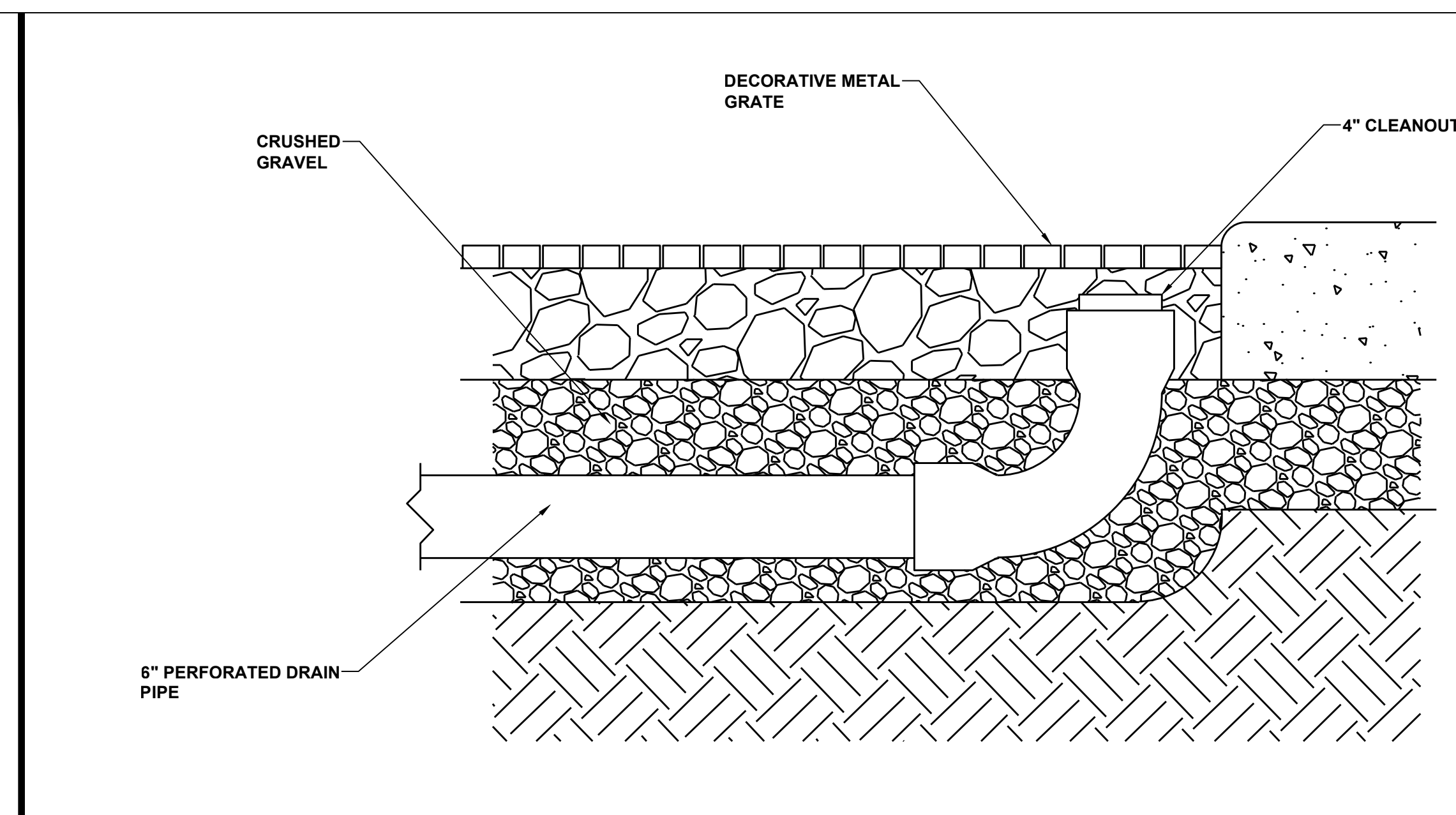
REVISION: _____
DATE: _____
REVISION: _____
DATE: _____
REVISION: _____
DATE: _____
ISSUE DATE : 6/1/2026

CAD DWG FILE: -
DRAWN BY: - SG
CHECKED BY: - SM
DESIGNED BY: - SM

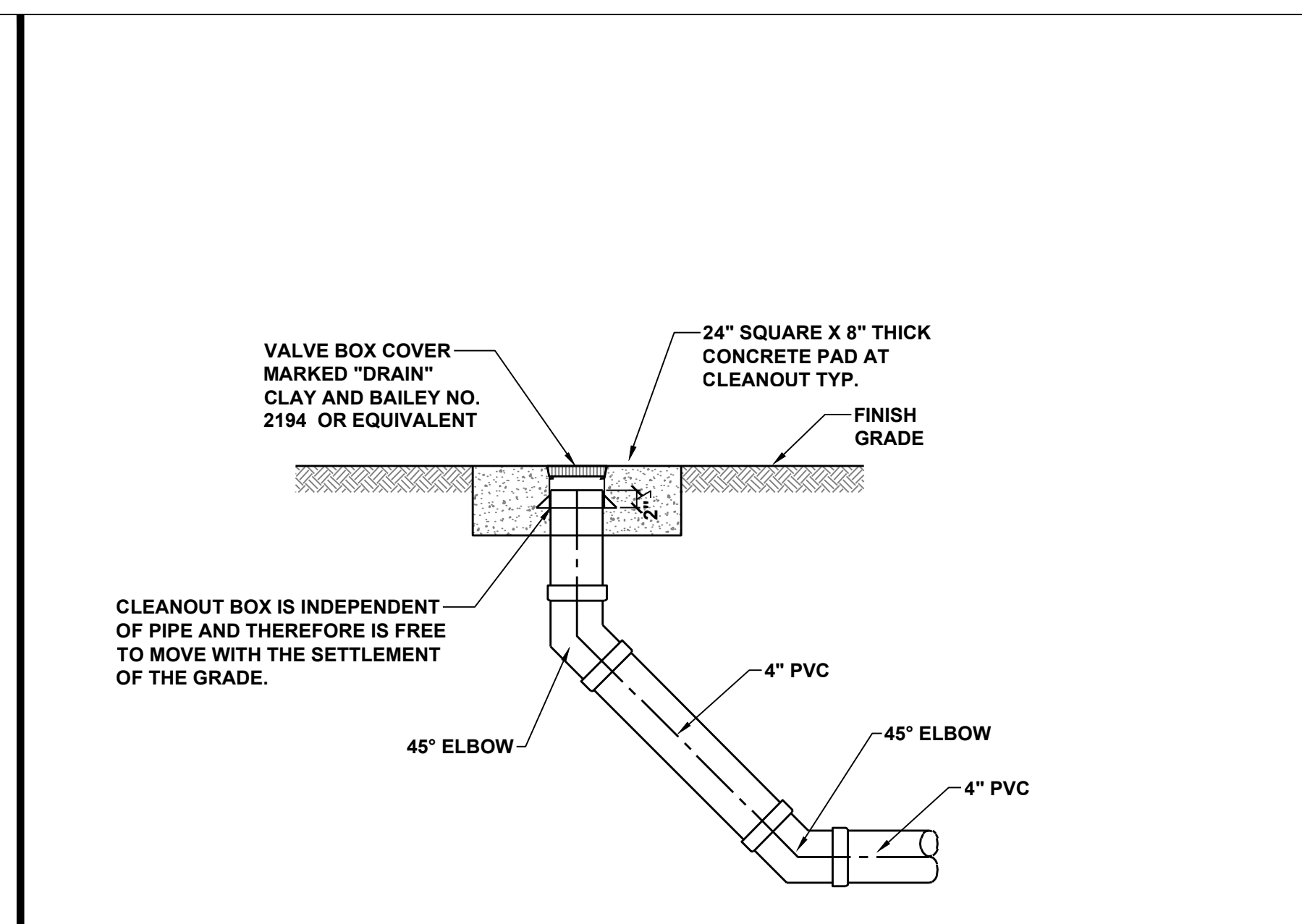
SHEET TITLE:
SITE DETAILS-2

SHEET NUMBER:

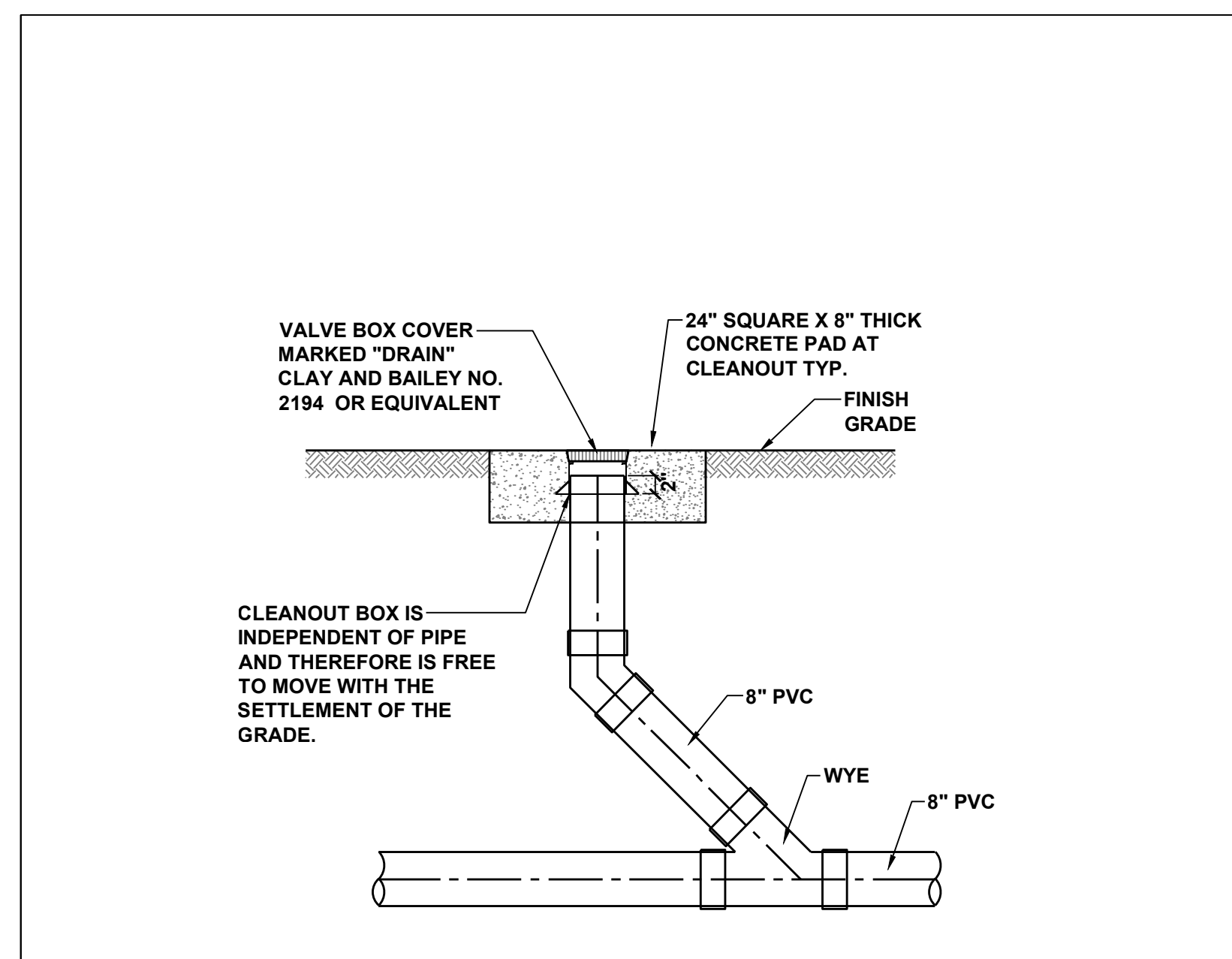
C601



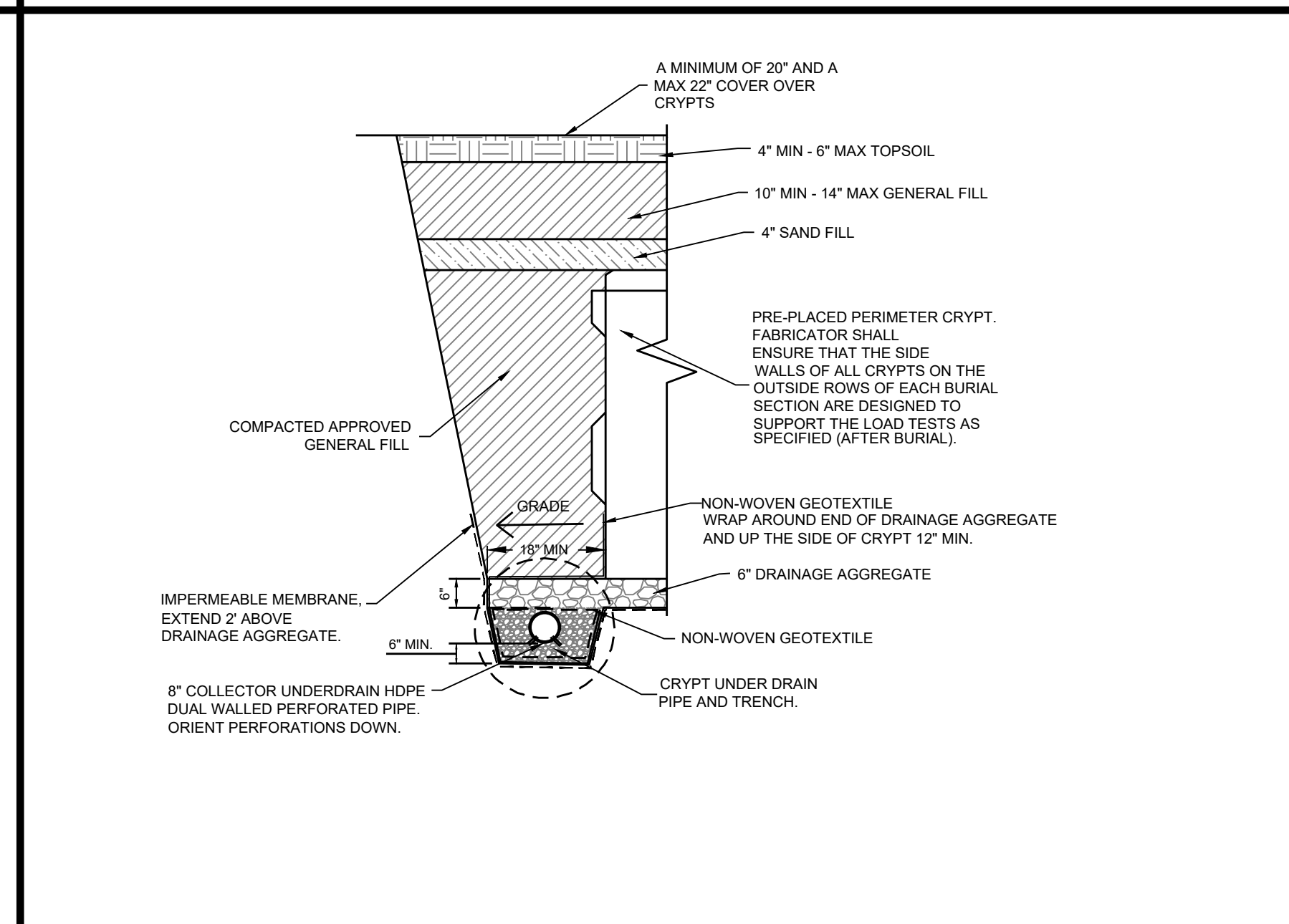
3 END OF LINE CLEANOUT UNDER GRATE DETAIL
Not to Scale



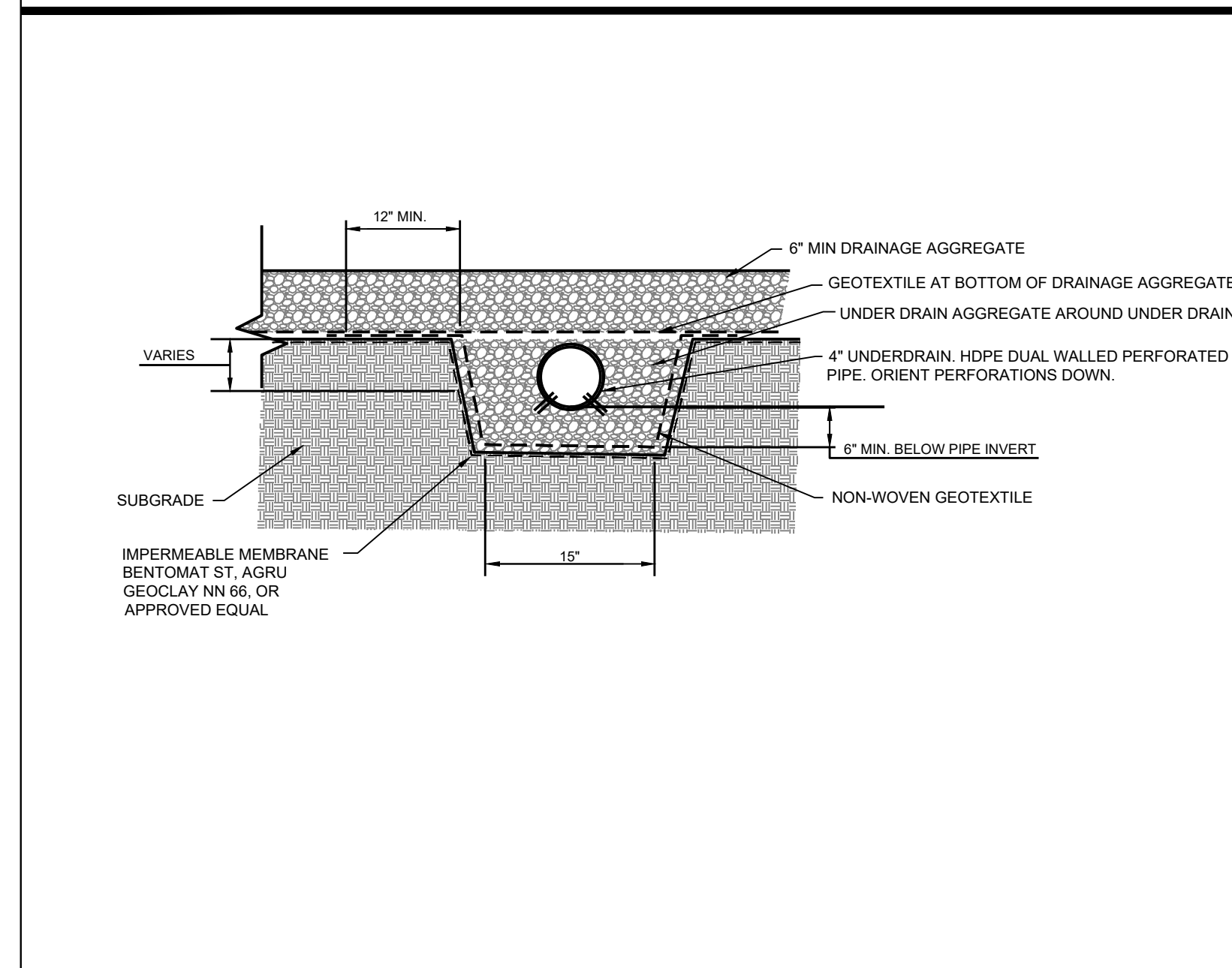
2 END OF LINE CLEANOUT DETAIL
Not to Scale



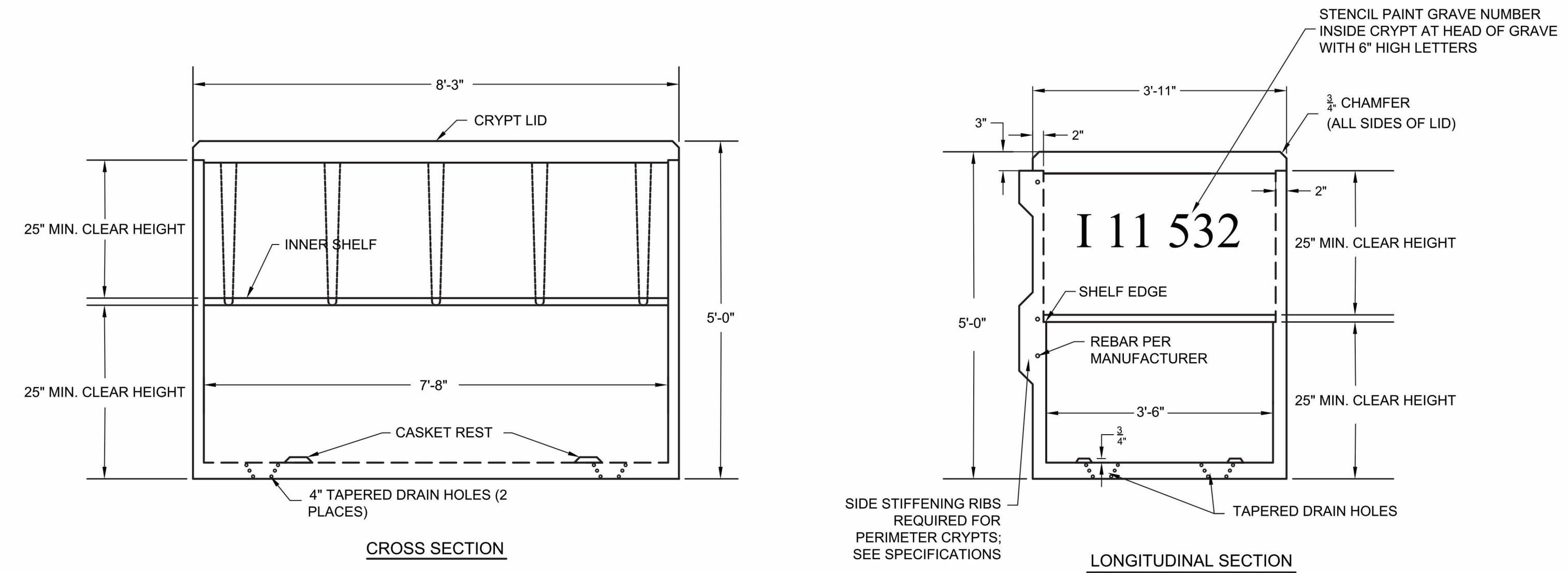
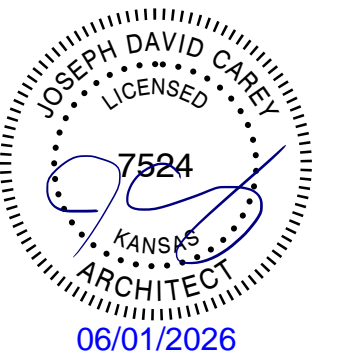
1 IN-LINE CLEANOUT DETAIL
Not to Scale



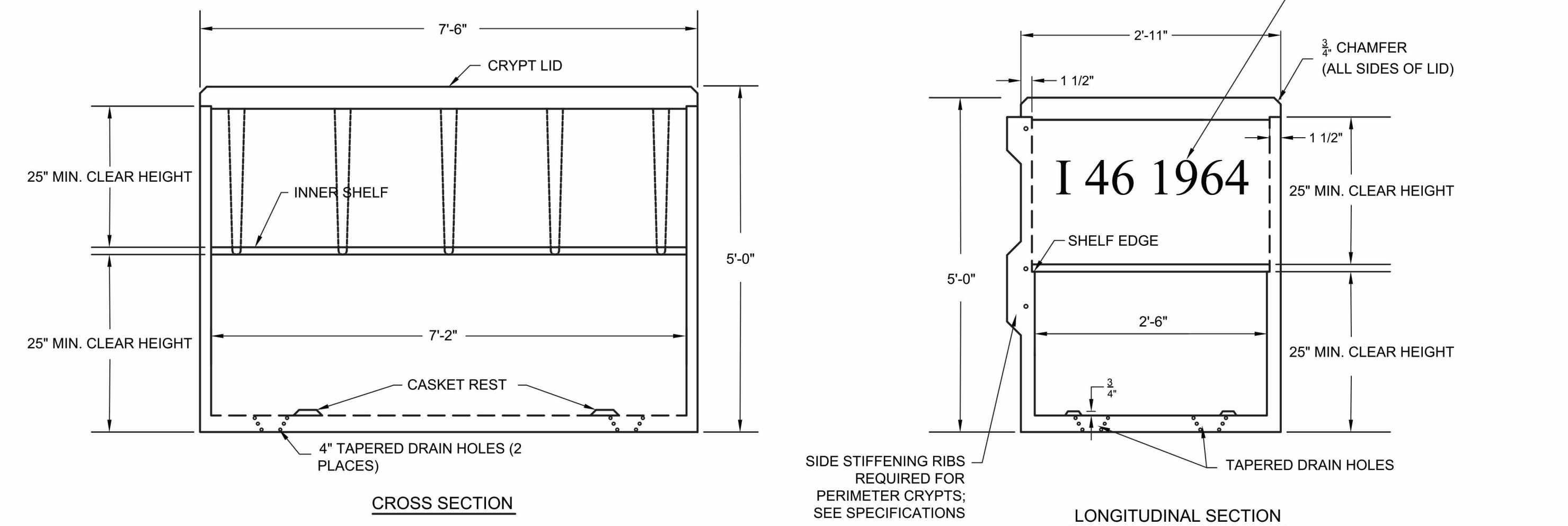
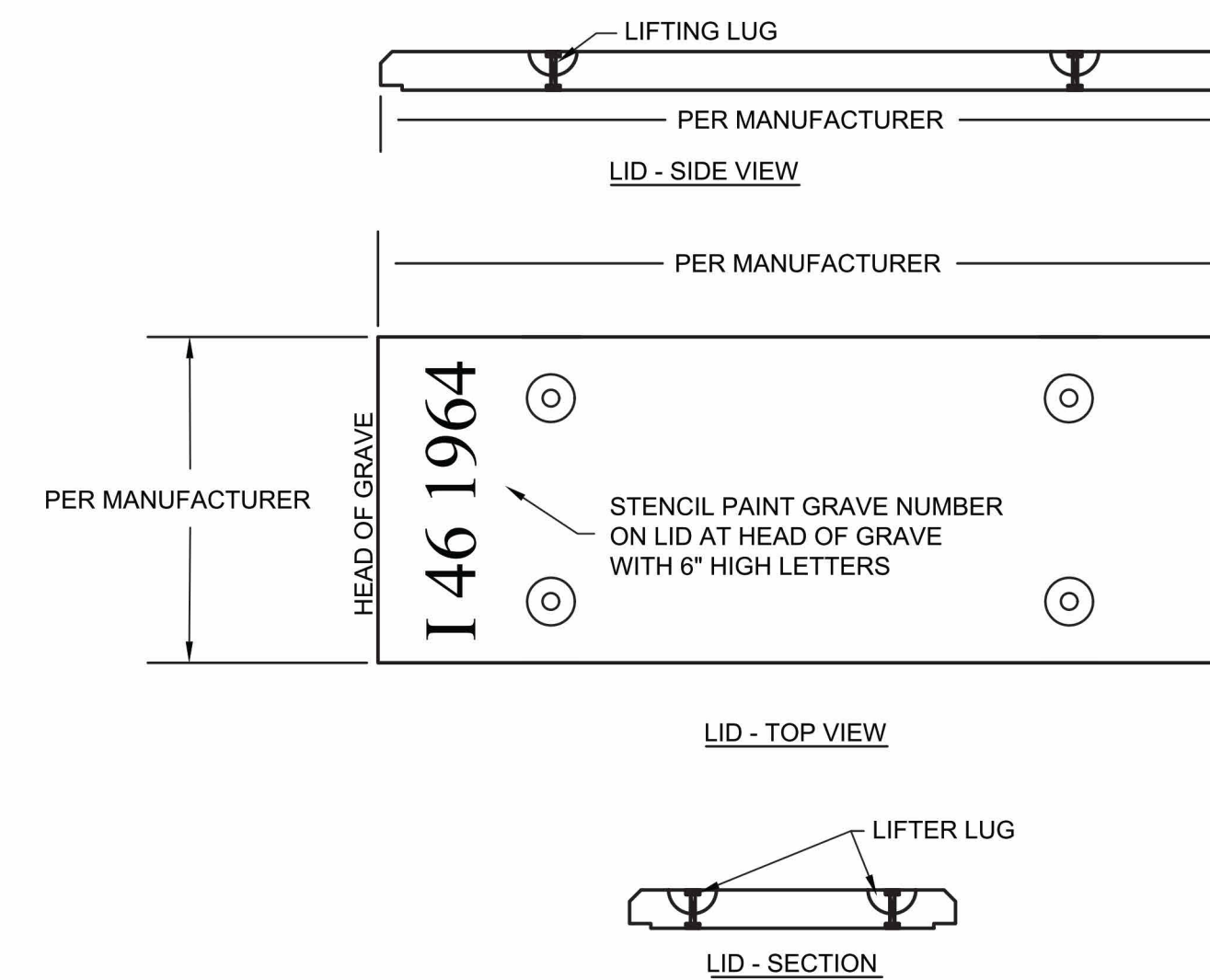
5 CRYPT COLLECTOR UNDERDRAIN
Not to Scale



4 CRYPT LATERAL UNDERDRAIN
Not to Scale



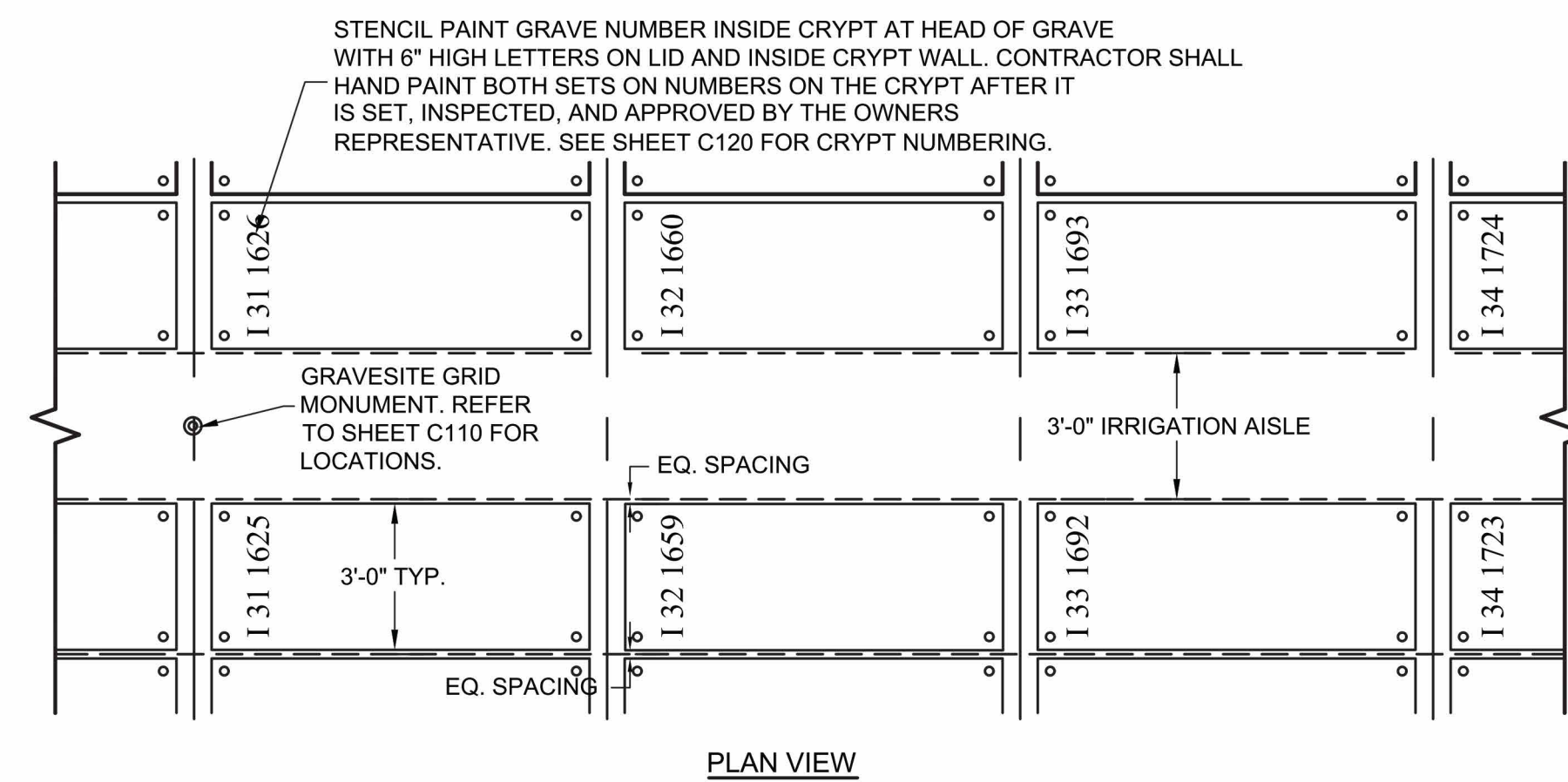
3 PRE-PLACED CRYPTS (OVER SIZED)
NOT TO SCALE



2 PRE-PLACED CRYPTS (STANDARD SIZE)
NOT TO SCALE

GENERAL NOTES

1. REINFORCED CONCRETE DESIGN, FABRICATION AND ERECTION SHALL BE IN ACCORDANCE WITH THE AMERICAN CONCRETE INSTITUTE ACE 318-95, "BUILDING CODE REQUIREMENTS FOR REINFORCED CONCRETE, AND THE SPECIFICATIONS, PRECAST CONCRETE DOUBLE DEPTH LAWN CRYPTS.
2. DESIGN LOAD REQUIREMENTS OF THE TOP LID, CRYPT BOX, AND INTERMEDIATE SHELF: REFER TO THE SPECIFICATIONS, PRECAST CONCRETE DOUBLE DEPTH LAWN CRYPTS.
3. PRECAST FABRICATOR SHALL PROVIDE DESIGN INFORMATION AND SHOP DRAWINGS FOR APPROVAL. REFER TO THE SPECIFICATIONS, PRECAST CONCRETE DOUBLE DEPTH LAWN CRYPTS.
4. CRYPTS SHALL BE LOCATED AS SHOWN ON DRAWINGS.
5. PROVIDE CASKET RESTS AT BOTTOM OF CRYPT PER SPECIFICATIONS.
6. PROVIDE CAM STYLE LIFTING PINS FOR CRYPT LIDS PER SPECIFICATIONS.
7. STANDARD DOUBLE DEPTH CRYPTS SHALL FIT WITHIN A 3' x 8' PLOT AND OVERSIZED DOUBLE DEPTH CRYPTS SHALL FIT WITHIN A 4' x 10' PLOT.



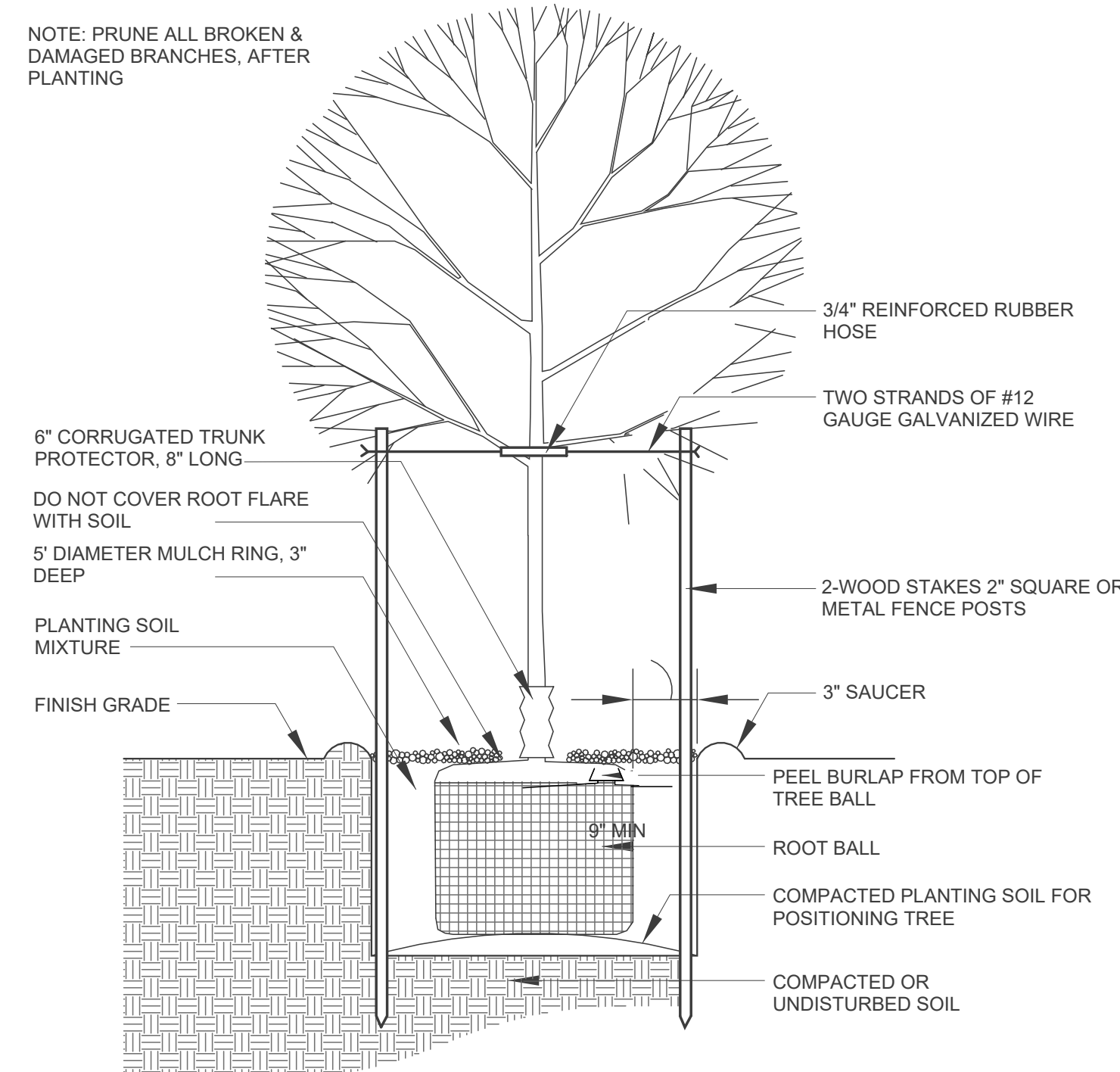
1 PRE-PLACED CRYPTS ENLARGED
NOT TO SCALE

LANDSCAPE NOTES

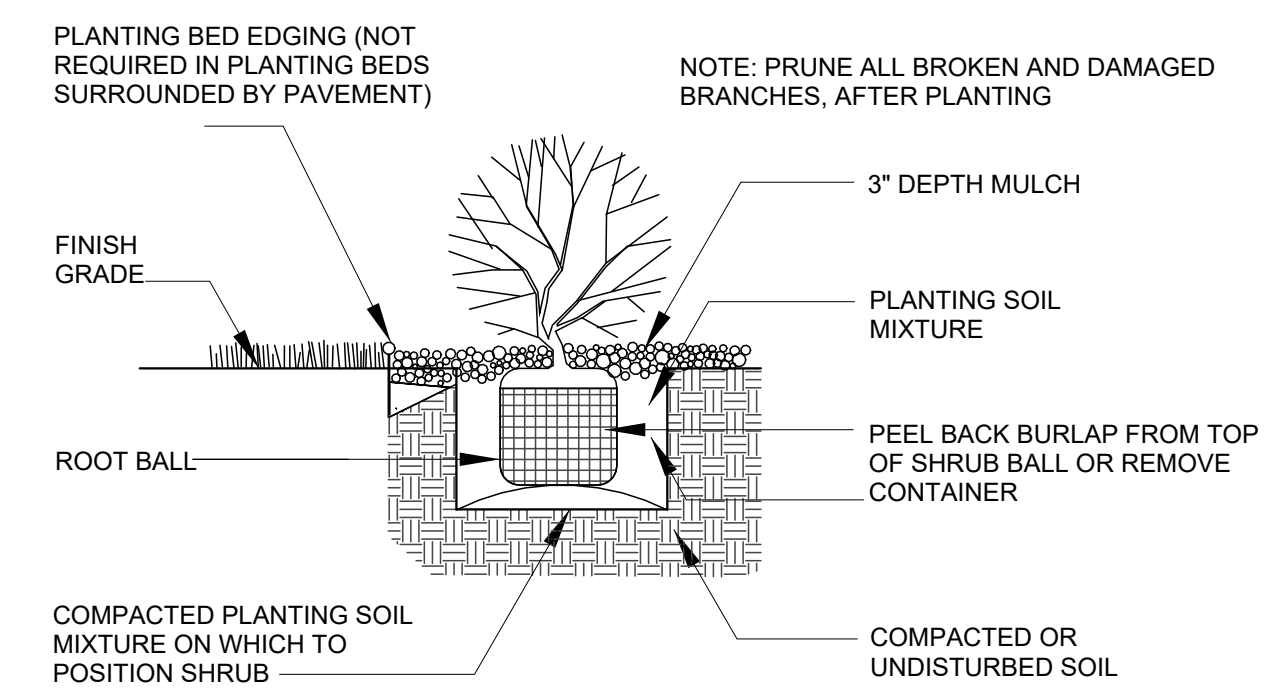
1. VERIFY THE LOCATION OF ALL UNDERGROUND UTILITY LINES PRIOR TO EXCAVATING.
2. QUANTITIES IN THE PLANT LIST ARE FOR INFORMATION ONLY. CONTRACTOR SHALL VERIFY AND PROVIDE REQUIRED QUANTITIES.
3. ANY PLANTING BED ADJACENT TO WALKS OR CURBING SHALL HAVE THE GRADE LOWERED TO A SUFFICIENT DEPTH TO ALLOW THE TOP OF THE MULCH TO MATCH THE TOP OF WALK OR CURBING.
4. PROVIDE NEW SOD AS SPECIFIED IN ALL DISTURBED AREAS AROUND THE COLUMBARIUM ADDITION THAT ARE NOT OTHERWISE DESIGNATED FOR PLANTING
5. DO NOT GRADE PLANTING BEDS WITH STEEP, ABRUPT SLOPES DOWN TO EDGING OR CONCRETE EDGES. ALL PLANTING BEDS SHALL HAVE EVEN SMOOTH SLOPES.
6. PROVIDE WASHED RIVER ROCK GRAVEL MULCH IN A 3" LAYER IN ALL SHRUB BEDS. FINISH GRADE BEDS TO ALLOW MULCH TO BE PLACED AT LEVEL OF PAVEMENT SURROUNDING THE BED.
7. PLANTS SHALL BE TAGGED WITH LABELS IDENTIFYING COMMON AND BOTANICAL NAME UNTIL FINAL ACCEPTANCE IS GIVEN. UPON FINAL ACCEPTANCE, CONTRACTOR SHALL REMOVE TAGS.

PLANT LIST

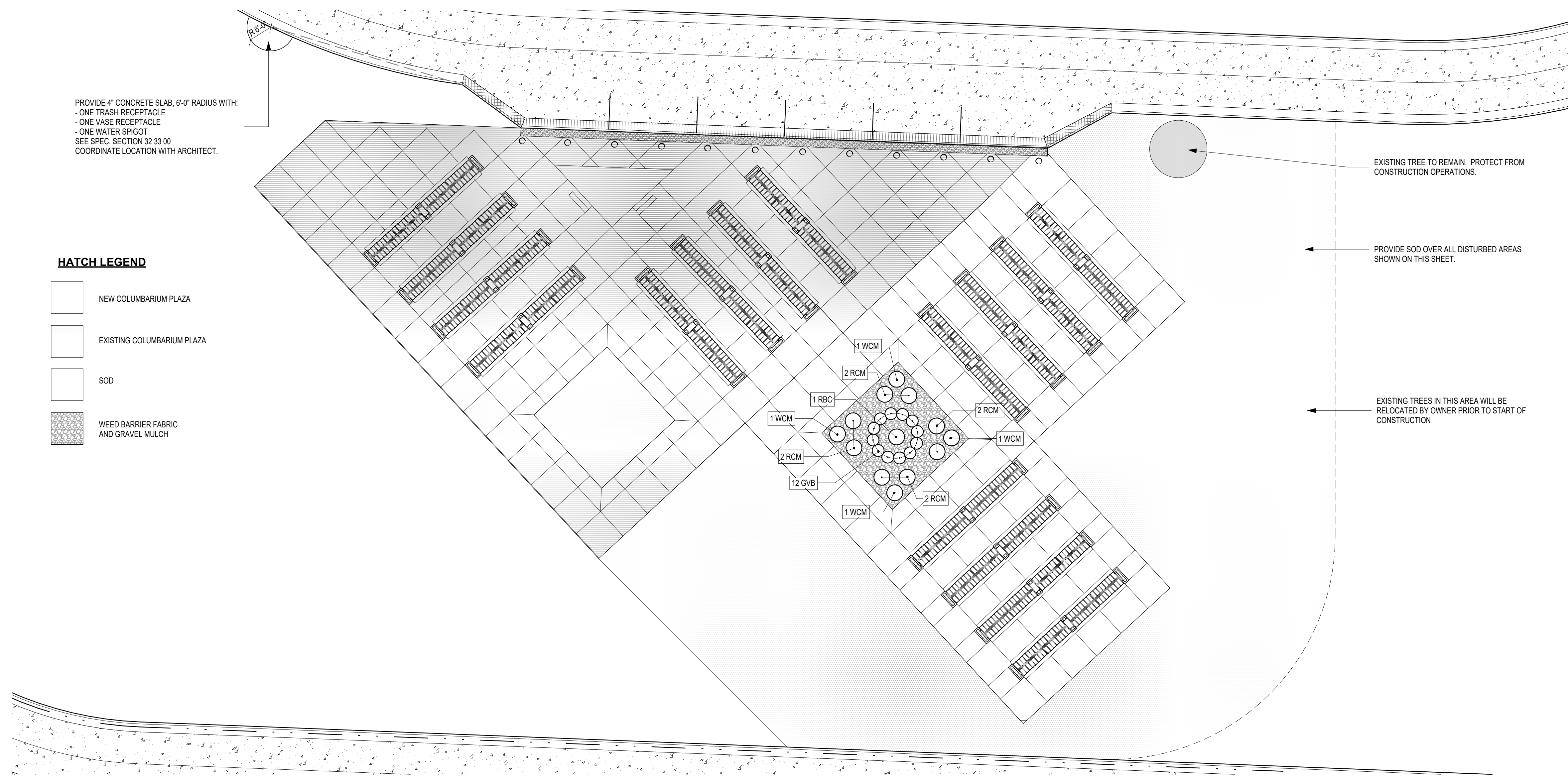
KEY	QUANTITY	COMMON NAME	BOTANICAL NAME	SIZE & SPACING	CONDITION
DECIDUOUS TREES					
AP	5	AUSTRIAN PINE	PINUS NIGRA	6 FT. HEIGHT	Balled-in-Burlap
BSM	3	'BONFIRE' SUGAR MAPLE	ACER SACCHARUM 'BONFIRE'	4" cal.	Balled-in-Burlap
DWC	2	'DONALD WYMAN' CRABAPPLE	MALUS 'DONALD WYMAN'	1 1/2" cal.	Balled-in-Burlap
RBC	1	'RED BARON' CRABAPPLE	MALUS 'RED BARON'	1 1/2" cal.	Balled-in-Burlap
RSM	1	'RED SUNSET' MAPLE	ACER REBRUM 'FRANKSRED'	4" cal.	Balled-in-Burlap
SHRUBS					
RCM	8	DWARF RED CRAPE MYRTLE	LAGERSTROEMIA INDICA 'BATON ROUGE'	3 gallon, 2.6'-3.0' O.C.	Container
WCM	4	DWARF WHITE CRAPE MYRTLE	LAGERSTROEMIA INDICA 'DIAMOND DAZZLE'	5 gallon, 2.6'-3.0' O.C.	Container
GVB	12	GREEN VELVET BOXWOOD	BUXUS 'GREEN VELVET'	5 gallon, 2.6'-3.0' O.C.	Container



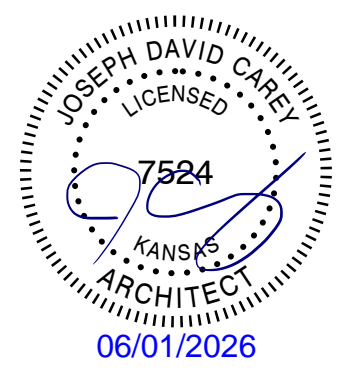
1 DECIDUOUS TREE PLANTING DETAIL
NOT TO SCALE

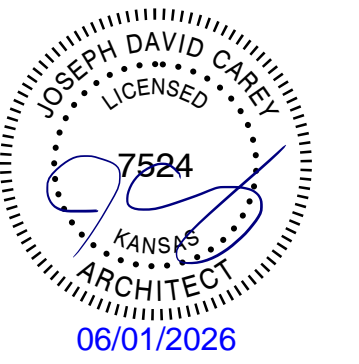


2 SHRUB PLANTING DETAIL
NOT TO SCALE



A PLANTING PLAN
1/16" = 1'-0"

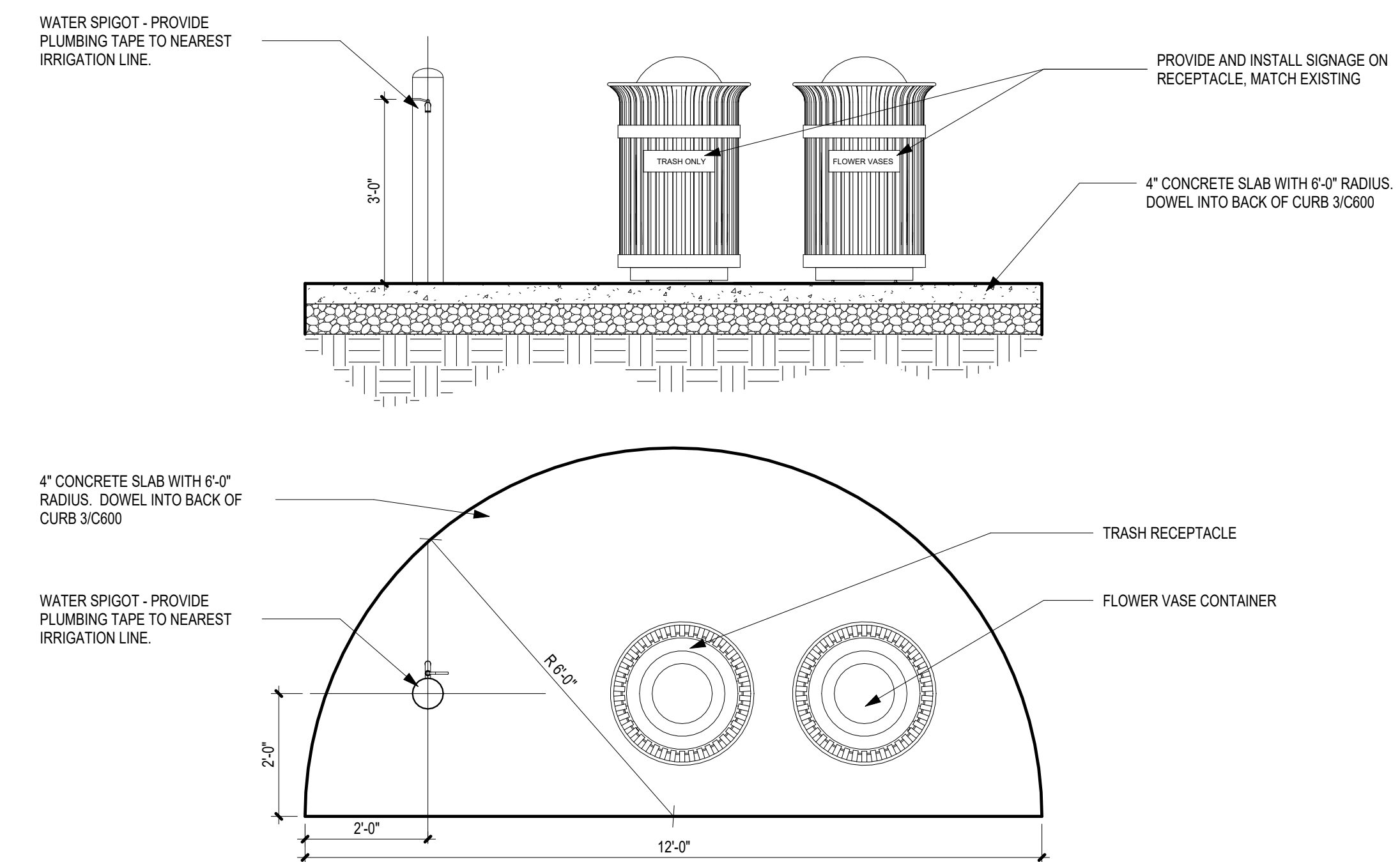




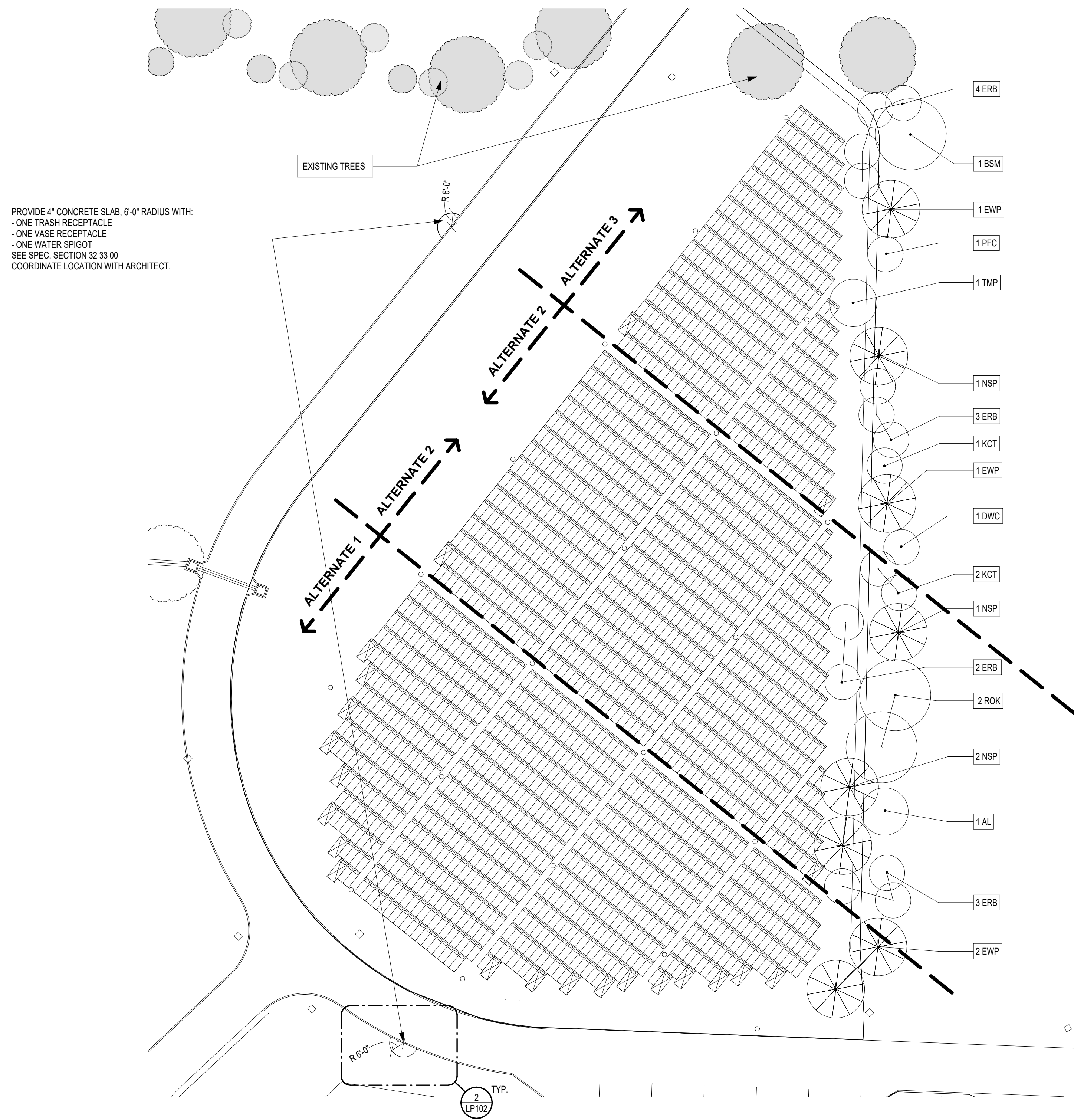
PLANT LIST

KEY	QUANTITY	COMMON NAME	BOTANICAL NAME	SIZE	CONDITION
DECIDUOUS TREES					
ERB	12	EASTERN REDBUD	CEREIS CANADINES	2" cal.	Balled-in-Burlap
DWC	3	'DONALD WYMAN' CRABAPPLE	MALUS 'DONALD WYMAN'	2" cal.	Balled-in-Burlap
PFC	1	PRAIRIE FIRE CRABAPPLE	MALUS 'PRAIRIE FIRE'	2" cal.	Balled-in-Burlap
KCT	3	KENTUCKY COFFEE TREE	GYMNOICLADUS DIOICUS	2" cal.	Balled-in-Burlap
TMP	1	TRIDENT MAPLE 'PACIFIC SUNSET'	ACER BUERGEIRANUM	2" cal.	Balled-in-Burlap
EWP	4	EASTERN WHITE PINE	PINUS STROBUS	2" cal.	Balled-in-Burlap
BSM	1	'BONFIRE' SUGAR MAPLE	ACER RUBRUM 'FRANKSRED'	2" cal.	Balled-in-Burlap
ROK	2	RED OAK	QUERCUS RUBRA	2" cal.	Balled-in-Burlap
NSP	4	NORWAY SPRUCE	PICEA ABIES	2" cal.	Balled-in-Burlap
AL	1	FLAME AMUR MAPLE	ACER GINNALA 'FLAME'	2" cal.	Balled-in-Burlap

*PROVIDE TOPSOIL AND SEEDING AS SPECIFIED OVER CRYPTS AND ALL DISTURBED AREAS THAT ARE NOT DESIGNATED FOR SOD.



2 FLOWER WATERING STATION - ALTERNATE NO.1
1/2" = 1'-0"




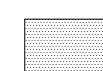

1 GARDEN I - PLANTS AND LANDSCAPE PLAN
1" = 30'-0"

PROVIDE 4" CONCRETE SLAB, 6'-0" RADIUS WITH:
- ONE TRASH RECEPTACLE
- ONE VASE RECEPTACLE
- ONE WATER SPIGOT
SEE SPEC. SECTION 32 33 00
COORDINATE LOCATION WITH ARCHITECT.

COLUMBARIUM KEY LEGEND

THIS SYMBOL REPRESENTS THE NAMING AND NUMBERING SYSTEM USED AT BOTH ENDS OF THE COLUMBARIUM WALL. FOR DETAILED INFORMATION, REFER TO ELEVATION 2/A101

CD X

-  NEW COLUMBARIUM PLAZA
-  EXISTING COLUMBARIUM PLAZA
-  FUTURE COLUMBARIUM PLAZA

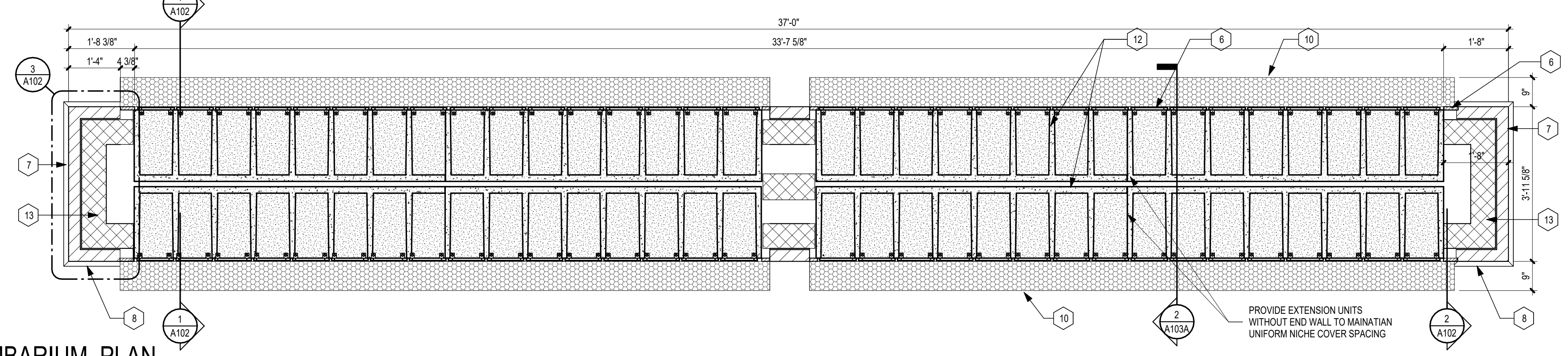


FLOOR PLAN KEYED NOTES

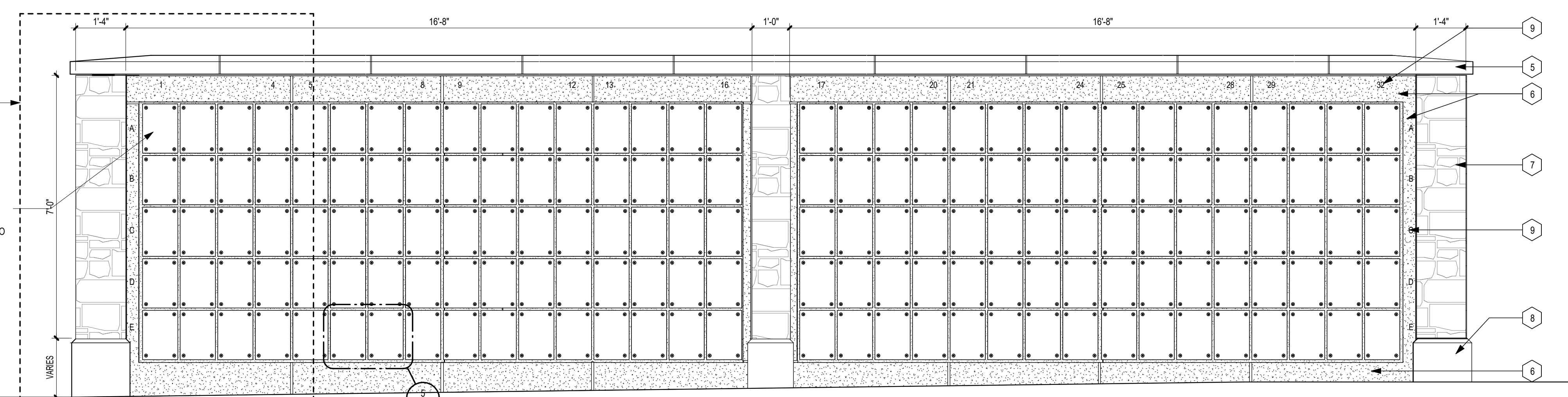
MARK	DESCRIPTION
1	PLANTING BED
2	CONCRETE PAVING
3	TYPICAL CONCRETE CONTROL JOINT
4	TOP OF FOUNDATION (TOF) - ELEVATION IS DIFFERENT ON EACH WALL. REFER TO A/101 FOR TOF ON EACH WALL (TBD)
5	GRANITE CAPSTONE - CHARCOAL BLACK DIAMOND 8 FINISH
6	GRANITE TRIM - IRIDIAN DIAMOND 8 FINISH
7	SPLIT FACE GRANITE VENEER - IRIDIAN, ASHLAR PATTERN
8	WALL BASE GRANITE - CHARCOAL BLACK DIAMOND 8 FINISH
9	NICHE ROW & COLUMN NUMBERING TO BE 2" RAISED METAL LETTERS ON STONE
10	DECORATIVE METAL GRATE
11	12" RAISED METAL LETTERS ON CHARCOAL BLACK DIAMOND 8 FINISH GRANITE, NUMBER EACH WALL AS INDICATED ON A/A101
12	PRECAST CONCRETE COLUMBARIUM UNITS
13	8" X 8" X 16" CMU BLOCK

THE GENERAL CONTRACTOR MUST KEEP THE ROAD CLEANED OF SILT, MUD AND DEBRIS AT THE END OF EACH DAY. ALL FENCING NEEDS TO BE MAINTAINED IN AN UPRIGHT POSITION AND NOT SAGGING. THERE MUST BE A 20 GA SUPPORT WIRE RUNNING ALONG THE HORIZONTAL TOP OF THE FENCING FOR STABILITY.

1 NEW COLUMBARIUM PLAZA PLAN
1/16" = 1'-0"



2 COLUMBARIUM PLAN
1/2" = 1'-0"

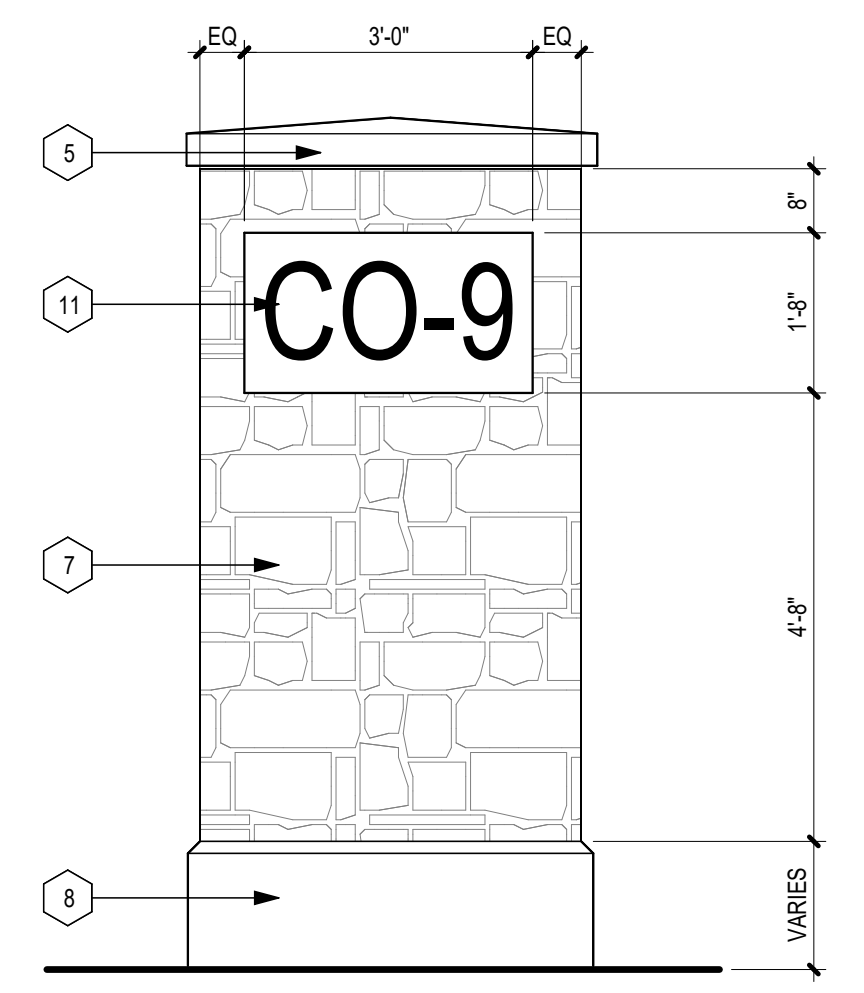


CONTRACTOR TO PROVIDE A FULL MOCK UP OF THIS PORTION OF COLUMBARIUM WALL CO-9.

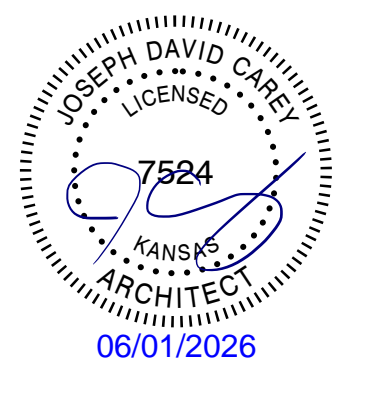
GRANITE NICHE COVERS TO BE FURNISHED BY THE OWNER. CONTRACTOR TO PROVIDE ALL FASTENING DEVICES AND INSTALL THE FURNISHED NICHE COVERS. REFER TO SPECIFICATIONS FOR CONTRACTOR RESPONSIBILITIES TO RECEIVE AND INSPECT NICHE COVERS.

3 COLUMBARIUM WALL ELEVATION
1/2" = 1'-0"

4 COLUMBARIUM END WALL ELEVATION
1/2" = 1'-0"



STATE OF MISSOURI
MIKE KEHOE,
GOVERNOR



Archimages
architecture | interiors
9300 W. 110th Street, Suite 235 Overland Park, KS 66210
www.archimages-stl.com p: (913) 378-9533

OFFICE OF ADMINISTRATION
DIVISION OF FACILITIES
MANAGEMENT,
DESIGN AND CONSTRUCTION

DEPARTMENT OF
PUBLIC SAFETY, DIVISION OF
MISSOURI VETERANS
COMMISSION

CONSTRUCT NEW
COLUMBARIUM WALL AND
PRE-PLACED CRYPTS
MISSOURI VETERANS
CEMETERY - SPRINGFIELD
SPRINGFIELD, MO

STATE OF MO # U2419-01
VCGP # MO-22-17
ARCHIMAGES # K26501
SITE # 6901
ASSET # 8136901009

REVISION :
DATE :
REVISION :
DATE :
REVISION :
DATE :
ISSUE DATE : 06/01/2026

CAD DWG FILE: A101.dwg
DRAWN BY: MMS
CHECKED BY: KRM
DESIGNED BY: KRM

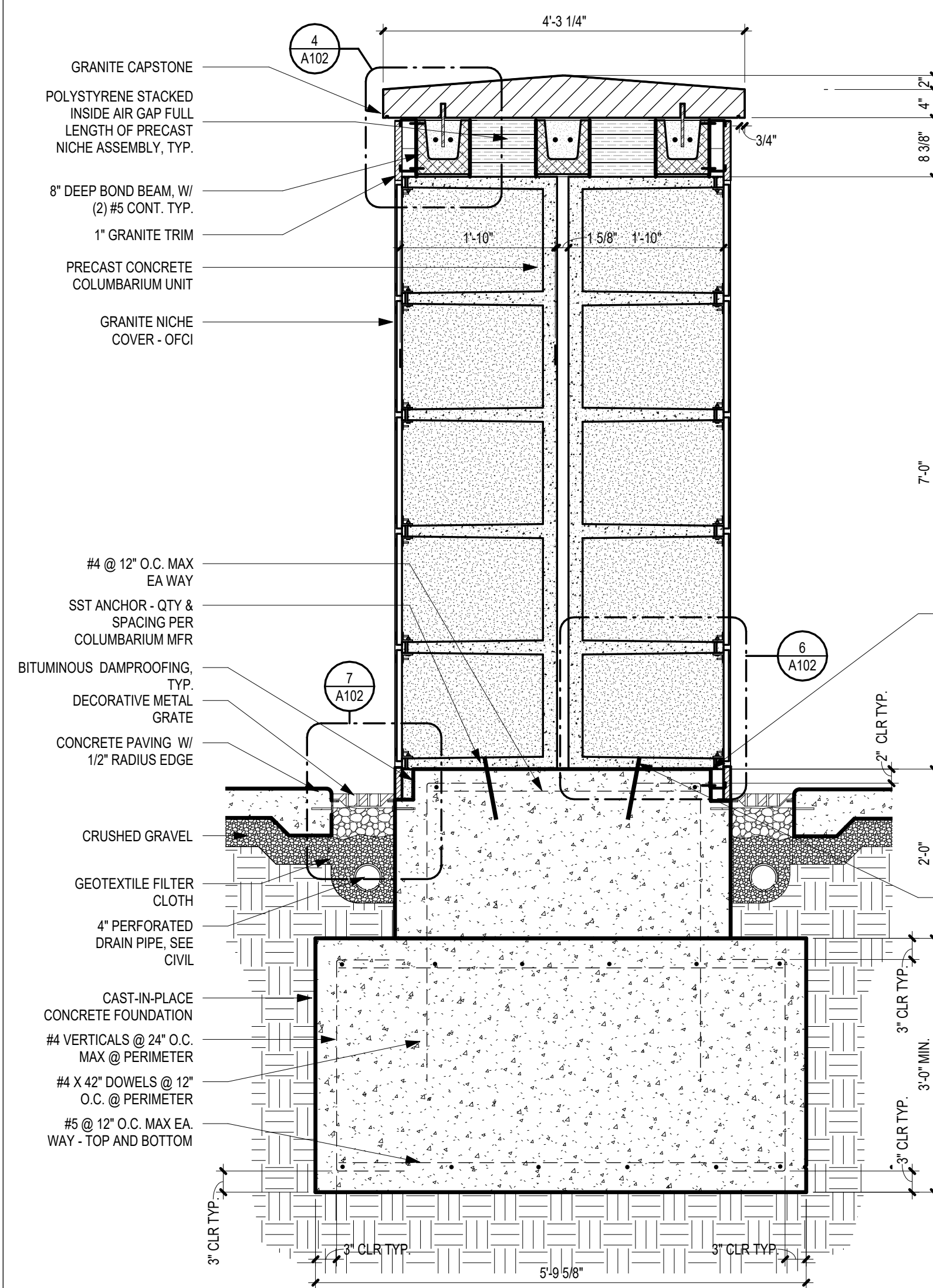
SHEET TITLE:
**NEW COLUMBARIUM
PLAZA PLAN &
ELEVATIONS**

SHEET NUMBER:

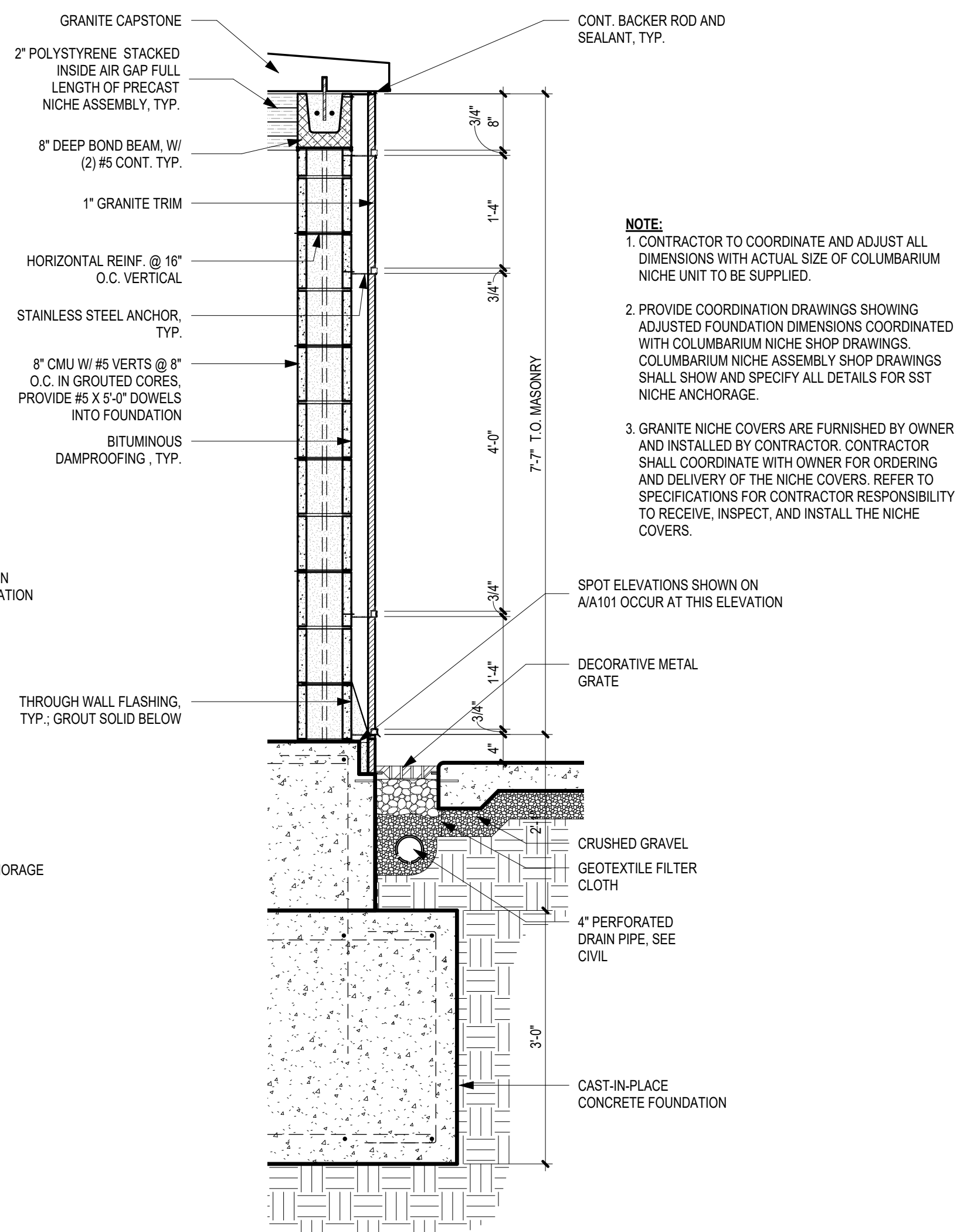
A101

COLUMBARIUM NICHE COVER GENERAL NOTES

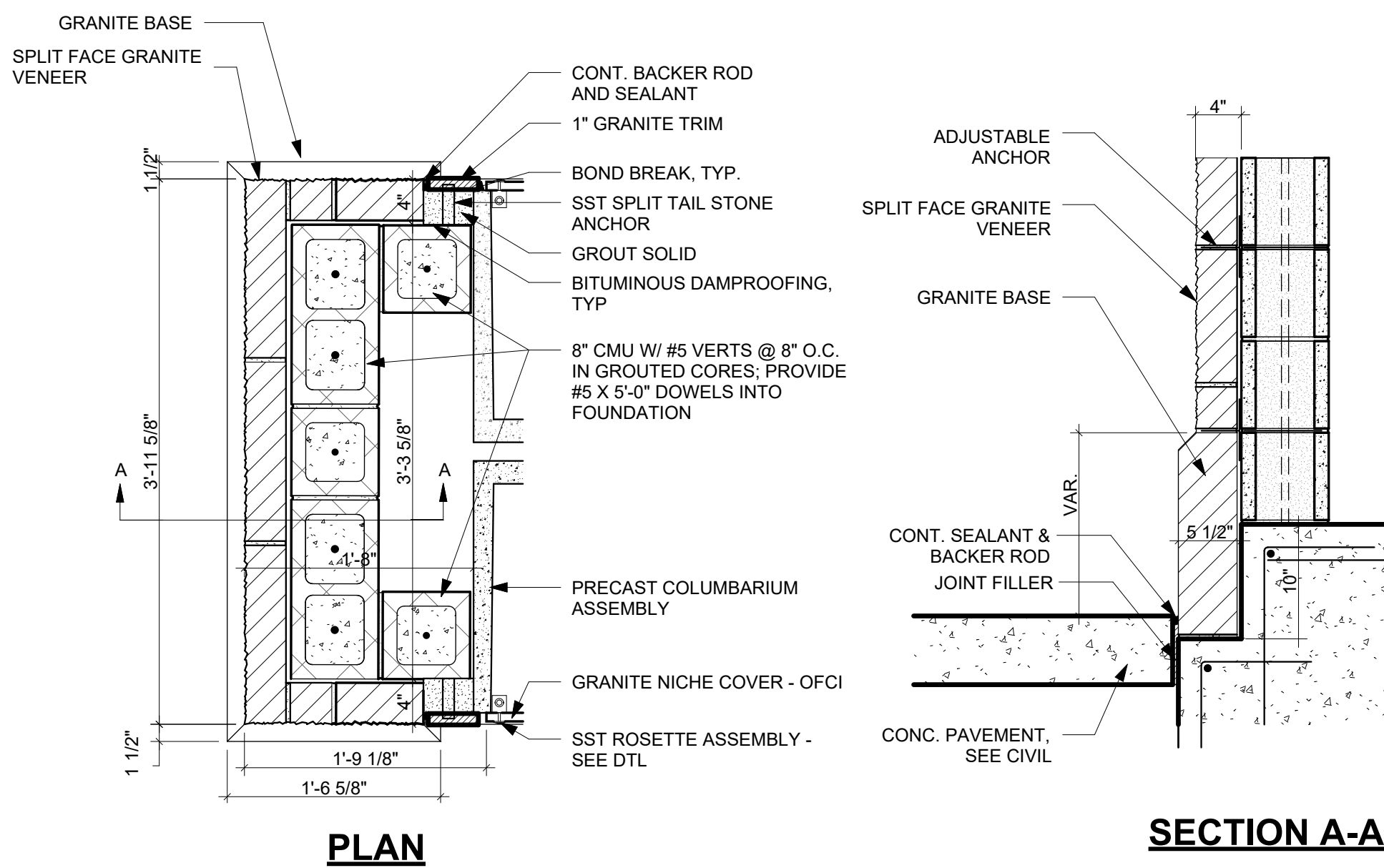
1. ALL DIMENSIONAL TOLERANCES ARE +/- 1/8" UNLESS OTHERWISE SPECIFIED.
2. THE TOP AND ALL SIDES SHALL BE FREE OF SCRATCHES, SAW MARKS, CHIPS OR CRACKS. FINISHED NICHE COVERS SHALL BE CRATED FOR SHIPMENT ACCORDING TO CONTRACT SPECIFICATIONS.
3. GRANITE SHALL BE FREE OF CRACKS, SEAMS OR IMPERFECTIONS WHICH MAY IMPAIR ITS INTEGRITY.
4. NICHE COVERS WILL BE PROVIDED BY OWNER AND INSTALLED BY CONTRACTOR. SEE SPECIFICATIONS.
5. ALL NICHE COVERS INSTALLED BY CONTRACTOR THAT DO NOT MEET GOVERNMENT SPECIFICATIONS DESCRIBED IN THESE NOTES AND DETAILS SHALL BE REMOVED AND REPLACED AT CONTRACTOR'S EXPENSE.
6. SEE SPECIFICATION 04 73 01. CONTRACTOR IS RESPONSIBLE FOR NICHE COVER INSPECTION PRIOR TO AND DURING INSTALLATION AND REQUIREMENT TO STOP WORK IMMEDIATELY IF COVERS ARE NON-COMPLIANT COVERS WILL BE EXCHANGED AT NO CHARGE BY THE VA'S MEMORIAL PRODUCT SERVICES.



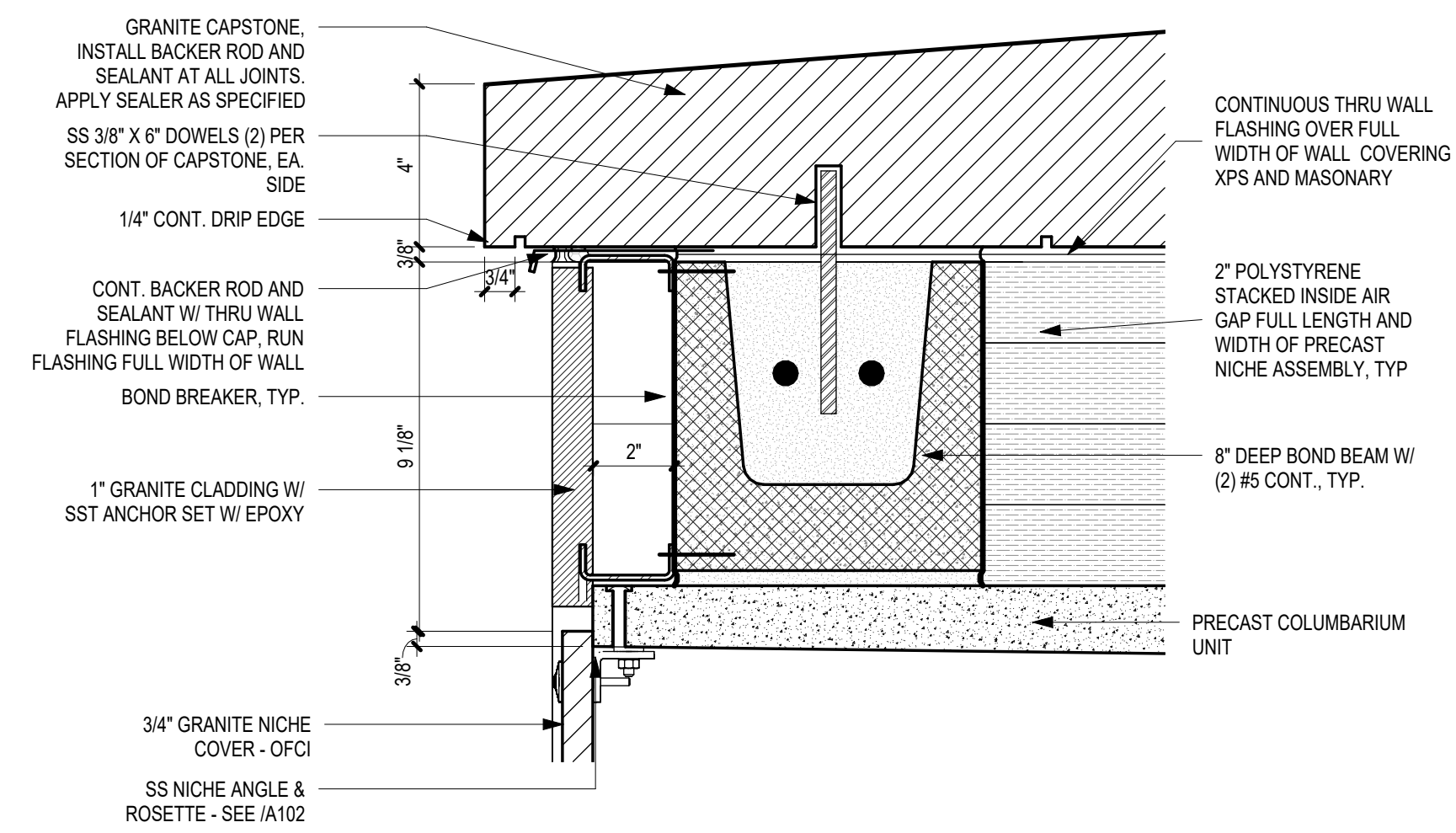
1 WALL SECTION @ COLUMBARIUM NICHES
3/4" = 1'-0"



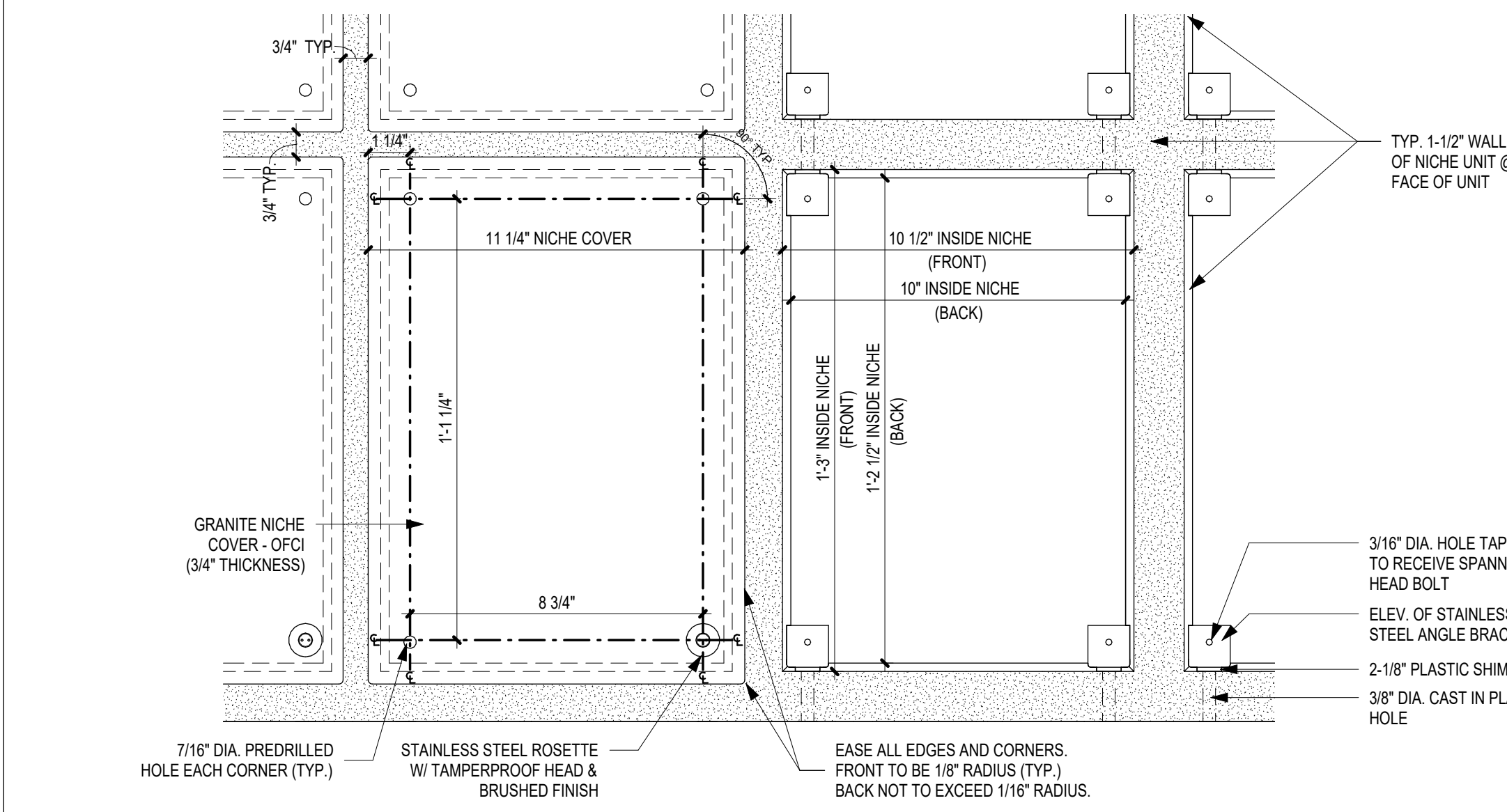
2 WALL SECTION @ GRANITE TRIM
3/4" = 1'-0"



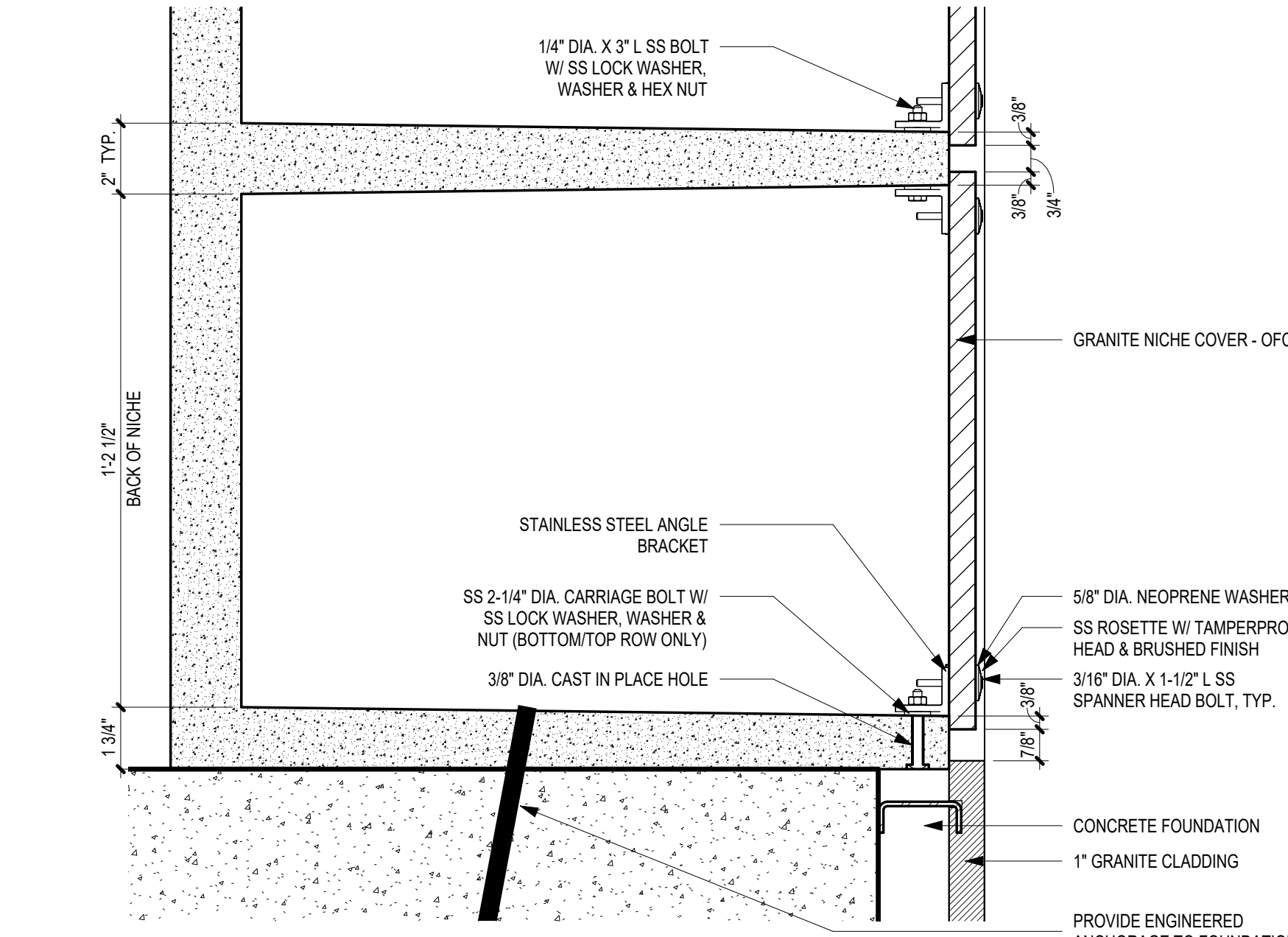
3 COLUMBARIUM END WALL ENLARGED PLAN AND SECTION
1" = 1'-0"



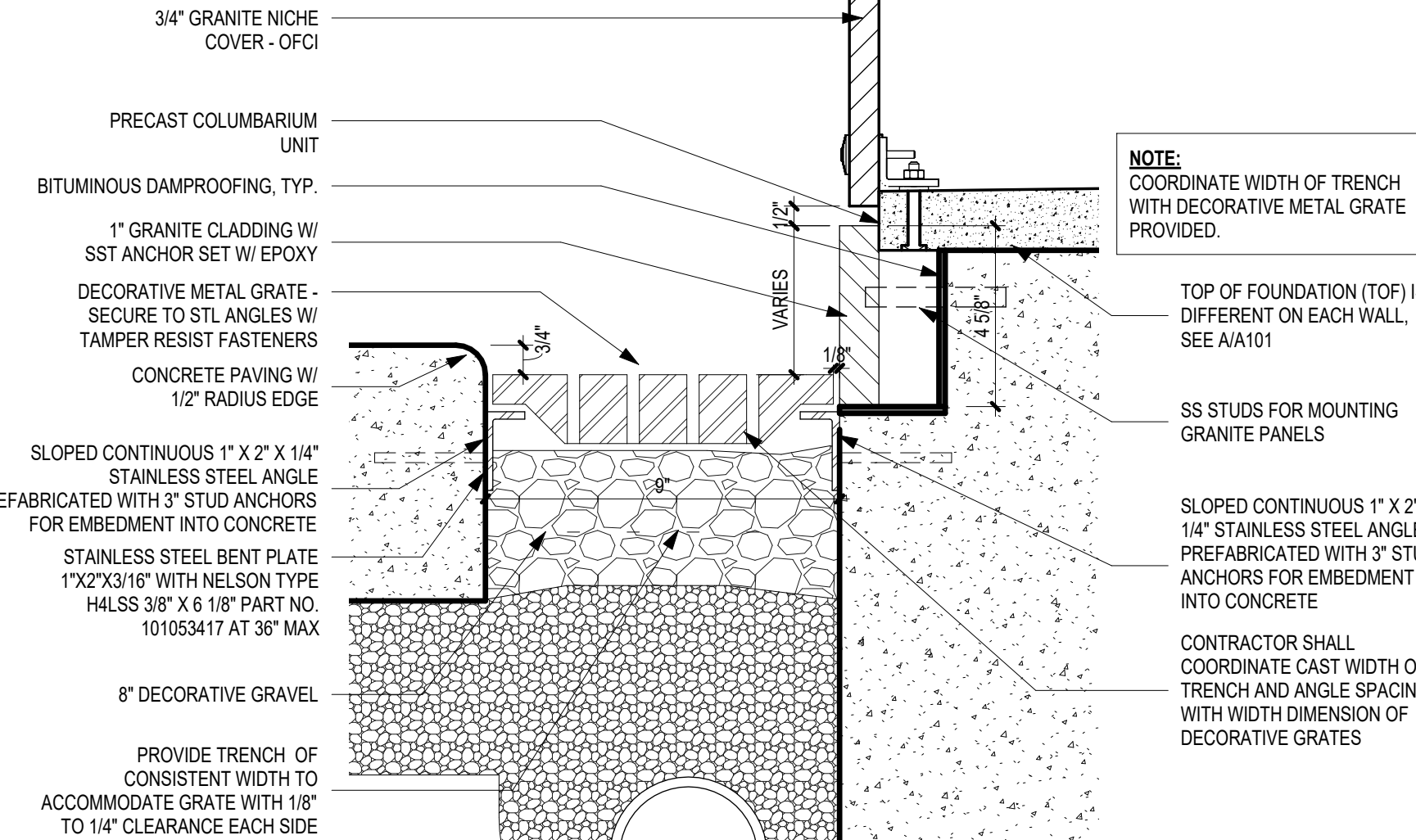
4 TYP. GRANITE CAP DETAIL
3" = 1'-0"



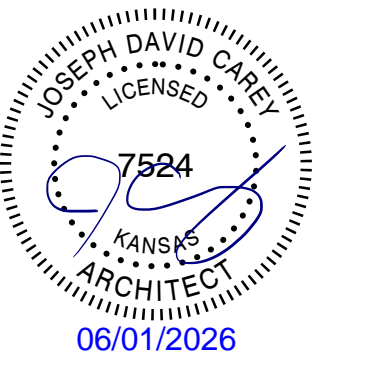
5 TYP. NICHE ELEVATION
3" = 1'-0"

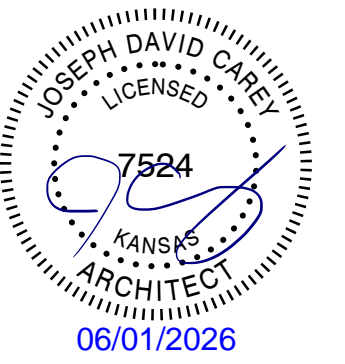


6 TYP. SECTION THRU NICHE
3" = 1'-0"



7 TYP. GRANITE BASE DETAIL
3" = 1'-0"





Archimages
 architecture | interiors
 9300 W. 110th Street, Suite 235 Overland Park, KS 66210
 www.archimages-stl.com pr: (913) 378-9533

OFFICE OF ADMINISTRATION
DIVISION OF FACILITIES
MANAGEMENT,
DESIGN AND CONSTRUCTION

DEPARTMENT OF
PUBLIC SAFETY, DIVISION OF
MISSOURI VETERANS
COMMISSION

CONSTRUCT NEW
COLUMBARIUM WALL AND
PRE-PLACED CRYPTS
MISSOURI VETERANS
CEMETERY - SPRINGFIELD
SPRINGFIELD, MO

STATE OF MO # U2419-01
VCGP # MO-22-17
ARCHIMAGES # K26501
SITE # 6901
ASSET # 8136901009

REVISION :
DATE :
REVISION :
DATE :
REVISION :
DATE :
ISSUE DATE : 06/01/2026

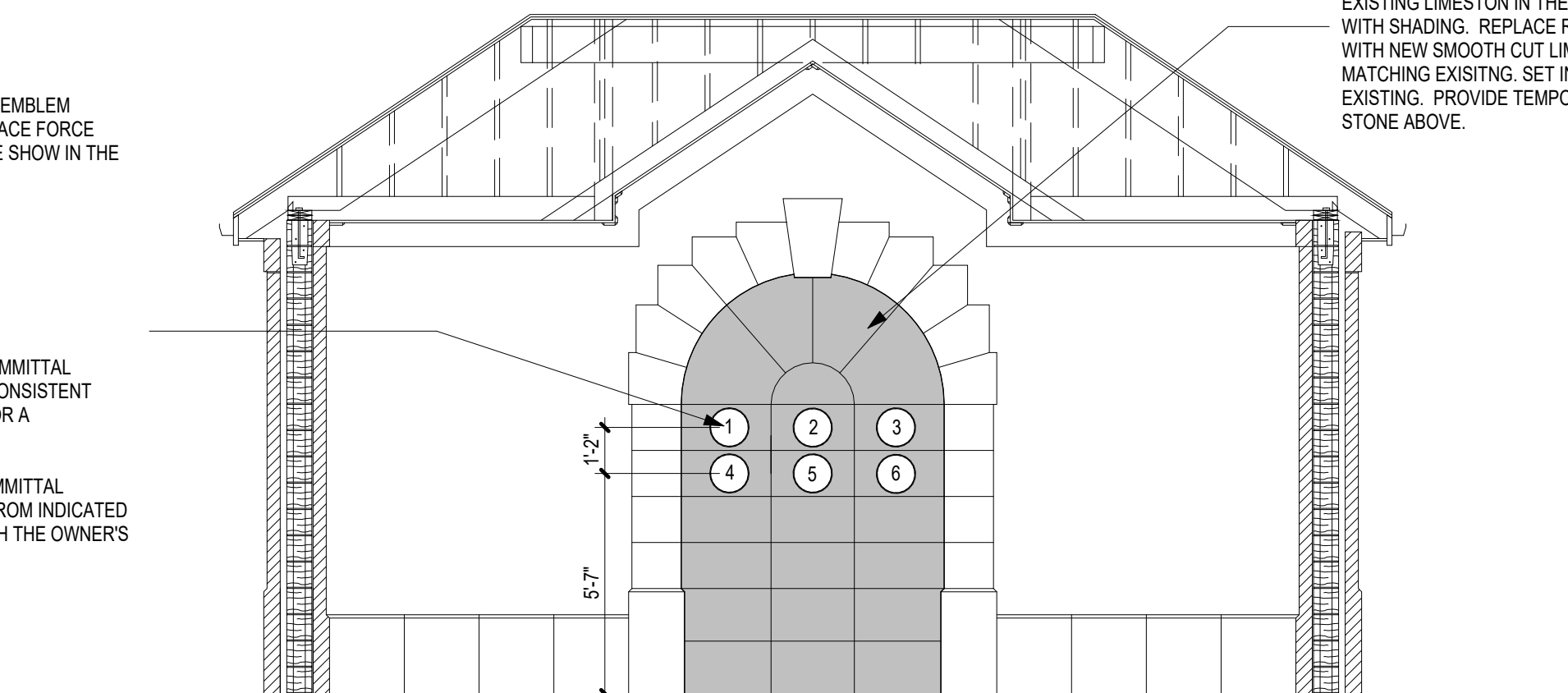
CAD DWG FILE: A103.dwg
DRAWN BY: MMS
CHECKED BY: KRM
DESIGNED BY: KRM

SHEET TITLE:
BRONZE PLAQUES

SHEET NUMBER:

A103

REMOVE 5 EXISTING SERVICE EMBLEM PLAQUES AND DELIVER TO OWNER FOR STORAGE UNTIL NEEDED FOR RE-INSTALLATION. REMOVE EXISTING LIMESTONE IN THE AREA INDICATED WITH SHADING. REPLACE REMOVED LIMESTONE WITH NEW SMOOTH CUT LIMESTONE VENEER MATCHING EXISTING. SET IN MORTAR MATCHING EXISTING. PROVIDE TEMPORARY SUPPORT OF STONE ABOVE.



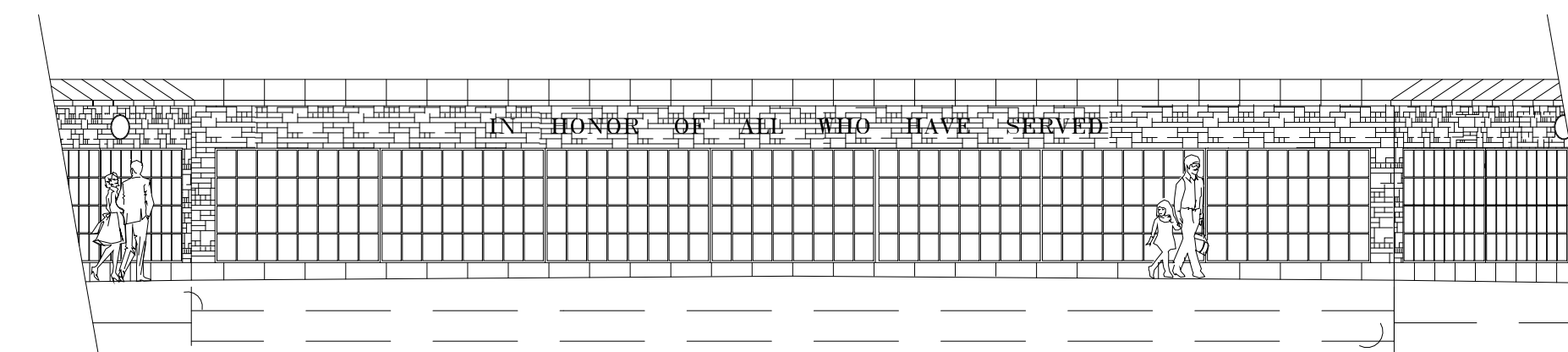
INSTALL THE FIVE EXISTING SERVICE EMBLEM PLAQUES AND PROVIDE ONE NEW SPACE FORCE EMBLEM PLAQUE IN A THE SEQUENCE SHOW IN THE FOLLOWING ORDER:

1. ARMY
2. MARINE CORPS
3. NAVY
4. AIR FORCE
5. SPACE FORCE
6. UNITED STATES COAST GUARD

VERIFY DIMENSIONS OF EXISTING COMMITTAL SHELTER AND ENSURE EQUAL AND CONSISTENT SPACING BETWEEN THE EMBLEMS FOR A SYMMETRICAL LAYOUT.

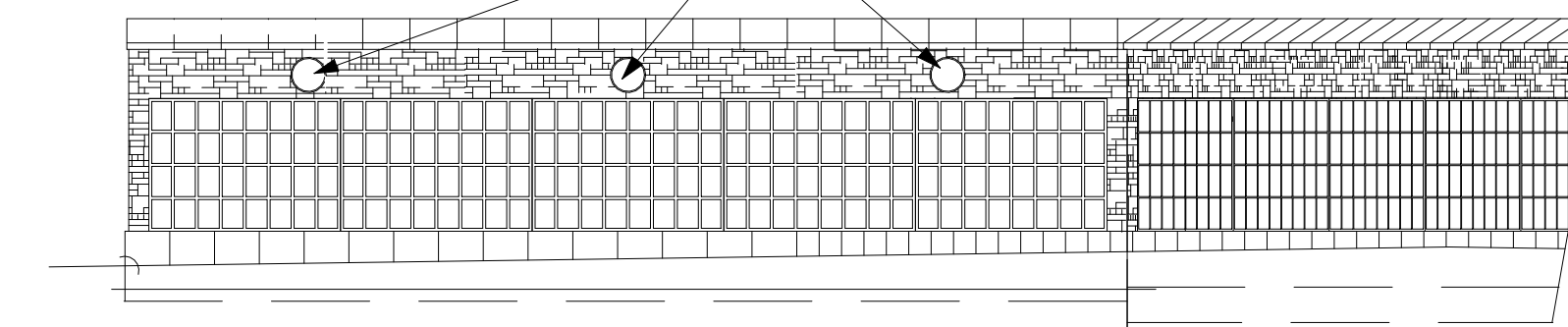
IF DIMENSIONS OF THE EXISTING COMMITTAL SERVICE SHELTER ARE DIFFERENT FROM INDICATED ON THIS DRAWING, COORDINATE WITH THE OWNERS REPRESENTATIVE TO ADJUST.

5 COMMITTAL SERVICE SHELTER INSIDE WALL ELEVATION
1/4" = 1'-0"



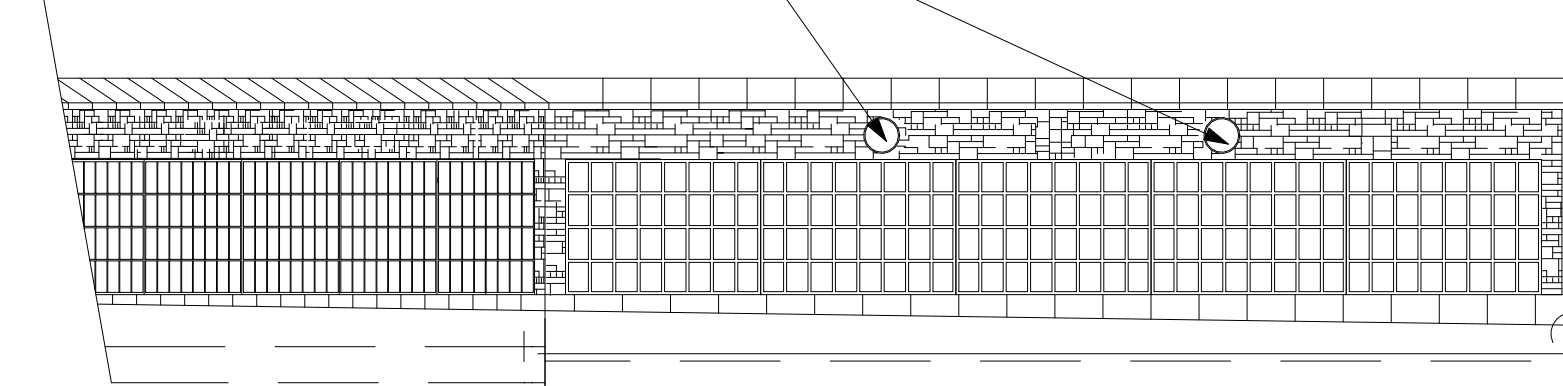
4 ELEVATION OF CENTER COLUMBARIUM WALL (PROVIDED FOR REFERENCE ONLY - NO WORK ON CENTER WALL)
1/8" = 1'-0"

REMOVE THREE EXISTING EMBLEM PLAQUES. DELIVER TO OWNER ON SITE.
- REPAIR LIMESTONE WHERE STUDS FROM PLAQUES ARE REMOVED.
- CLEAN ANY DISCOLORATION FROM LIMESTONE THAT MAY BE REVEALED WHEN PLAQUES ARE REMOVED.

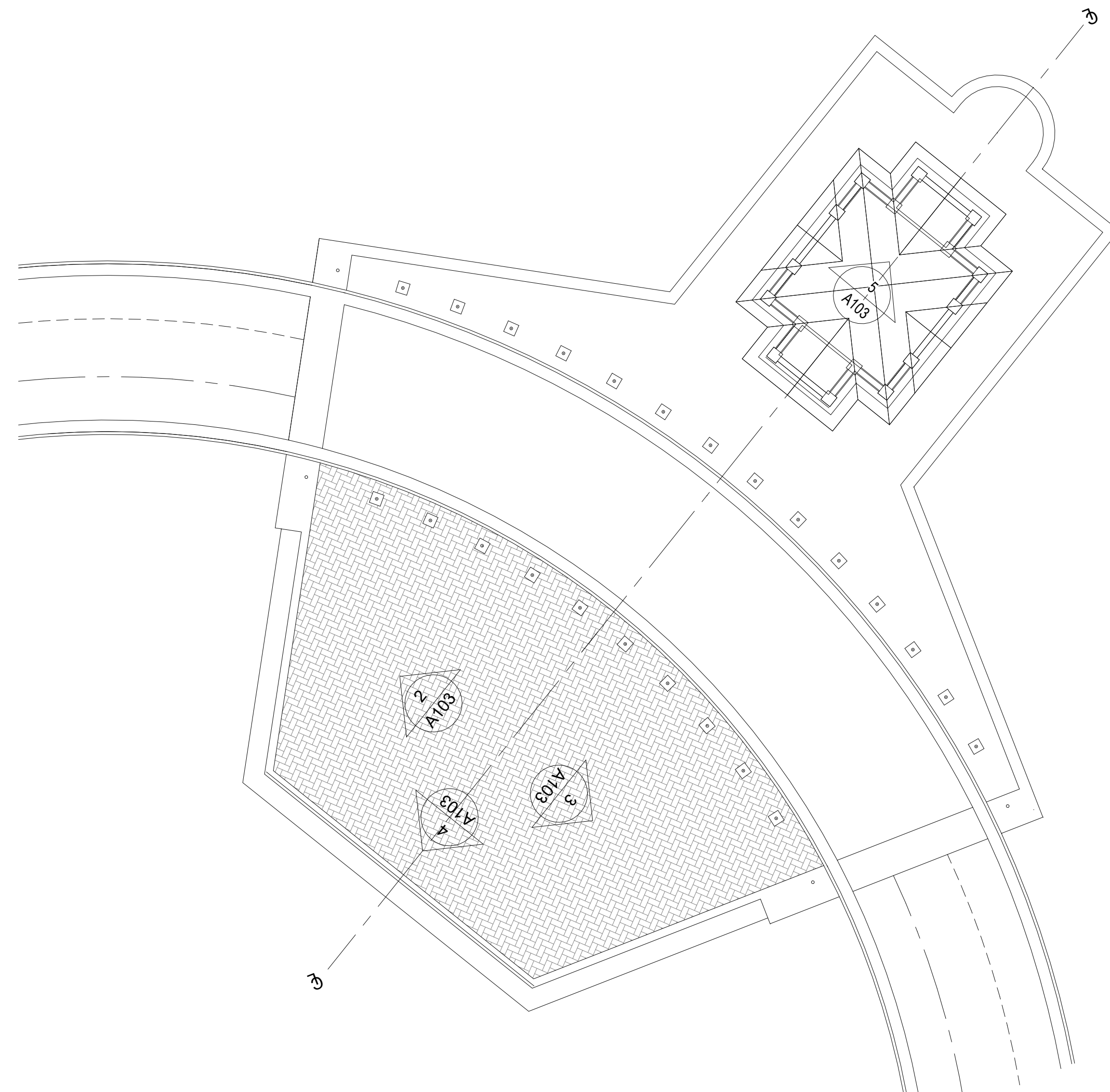


3 ELEVATION OF WEST COLUMBARIUM WALL
1/8" = 1'-0"

REMOVE TWO EXISTING EMBLEM PLAQUES. DELIVER TO OWNER ON SITE.
- REPAIR LIMESTONE WHERE STUDS FROM PLAQUES ARE REMOVED.
- CLEAN ANY DISCOLORATION FROM LIMESTONE THAT MAY BE REVEALED WHEN PLAQUES ARE REMOVED.



2 ELEVATION OF EAST COLUMBARIUM WALL
1/8" = 1'-0"



1 PLAN OF EXISTING COLUMBARIUM DEVELOPMENT (AS REFERENCED ON AERIAL PLAN)
1/16" = 1'-0"