

**ADDENDUM NO. 1**

**TO: PLANS AND SPECIFICATIONS FOR STATE OF MISSOURI**

**FOUNDATION STABILIZATION  
BOLLINGER MILL  
BOLLINGER MILL STATE HISTORIC SITE  
BURFORDVILLE, MISSOURI  
PROJECT NO.: X1804-01**

**Bid Opening Date: 1:30 PM, Thursday, January 28, 2021 (Not Changed)**

**Bidders are hereby informed that the construction Plans and/or Specifications are modified as follows:**

**SPECIFICATION CHANGES:**

1. Section 033000 – Cast-in-Place Concrete
  - a. ADD Paragraph 3.11-D as follows:
    - D. Contractor to provide 3 full working days notice to inspection company for site visit inspections.
2. Section 040140 – Maintenance and Repair of Stone Masonry
  - a. ADD Paragraph 1.2-F.2 as follows:
    2. Contractor to provide 3 full working days notice to inspection company for site visit inspections.
3. Section 051200 - Structural Steel Framing
  - a. ADD Paragraph 2.7-D as follows:
    - D. Contractor to provide 3 full working days notice to inspection company for site visit inspections.
  - b. ADD Paragraph 3.5-D as follows:
    - D. Contractor to provide 3 full working days notice to inspection company for site visit inspections.
4. Section 310513 – Soils for Earthworks
  - a. ADD Paragraph 3.1-B as follows:
    - B. Contractor to provide 3 full working days notice to inspection company for site visit inspections.
5. Section 316329 - Drilled Concrete Piers and Shafts
  - a. ADD Paragraph 3.6-C.12 as follows:
    12. Contractor to provide 3 full working days notice to inspection company for site visit inspections.
6. Sections 033000 – Cast-In-Place Concrete & Section 316329 - Drilled Concrete Piers and Shafts
  - a. Note that each section has its own concrete specification section.

**DRAWING CHANGES:**

1. Sheet S-101
  - a. See Attachment 2 for revised partial 1/S-101 Site Plan.
    - The distance from the north side of the stairs to the bridge abutment is changed to 32 feet +/-.

- Change the number of piers between the stairs and the bridge abutment from 5 to 7.
- Increase the length of the dead man anchor.
- Add (1) additional concrete tie-back grade beam.
- Increase the thickness of the wall facing the drilled piers from 8" to 12" between the piers on each side of the stairs. Add additional #5 x 12'-0" epoxy @ 6" o.c. horizontal to the lower 15 feet of the facing wall at this location. See added Note 2.
- Increase the thickness of the wall facing the drilled piers from 8" to 12" between the last pier on the north and the bridge abutment. Add additional #5 x 12'-0" epoxy @ 6" o.c. horizontal to the lower 15 feet of the facing wall at this location. This wall is to extend 24" +/- behind the abutment. Provide a bond breaker between the new concrete and the existing stone abutment. See added Note 3.
- Provide a bond breaker between the new concrete facing wall and the existing mill stone foundation on the north and south sides of the mill. See added Note 1.
- Delete the dimension between the mill and the bridge.
- The bridge and approaching road was graphically moved 10 feet north of the south edge of the bridge abutment to better reflect the existing condition. 10' +/- dimension was added.
- Delete note to construct temporary water tight walls to protect existing turbine.

## 2. Sheets S-501B and S-503

- Provide a total of (18) 1" diameter drilled holes in the stainless steel framing of the headrace movable gates.
- Provide a total of (18) 1" diameter drilled holes in the stainless steel framing of the headrace fixed gate frame.
- Provide a total of (18) 1" diameter drilled holes in the stainless steel framing of the tailrace movable gates.
- Provide a total of (18) 1" diameter drilled holes in the stainless steel framing of the tailrace gates.
- The location of these holes will be marked on the shop drawing submittal.

## 3. Sheet S-506

- See Attachment 3 for revised Section 4/S-506
  - Change the dimension between the piers from 6" to 12".
  - The drilled piers have a permanent casing.
  - Change the embeded hook reinforcing bar to a 3/4" x 6" headed stud welded to the casing.
  - Contractor alternate is to drill the casing and install hook reinforcing bars.
- See Attachment 4 for revised upper partial Section 6/S-506.
  - Change the number of reinforcing bars in the tie beams from (6) #6 epoxy to (8) #6 epoxy.
  - Note that the element on top of the dilled piers with the horizontal stirrups is a continuous pier cap.

## **GENERAL COMMENTS:**

- The pre-bid meeting was held January 11, 2021 at 10:00 and the sign in sheet is attached.
- Please contact Mandy Roberson, Contract Specialist, at 573-522-0074 or mandy.roberson@oa.mo.gov for questions about bidding procedures, MBE\WBE\SDVE Goals, and other submittal requirements.
- The deadline for technical questions was Wednesday, January 20, 2021 at noon.
- Changes to, or clarification of, the bid documents are only made as issued in the addenda.
- All correspondence with respect to this project must include the State of Missouri project number as indicated above.

6. Current Plan holders list available online at <https://www.adsplanroom.net/jobs/689/plan-holders/x1804-01-foundation-stabilization-bollinger-mill-state-historic-site>
7. Prospective Bidders contact American Document Solutions, 1400 Forum Blvd Suite 1C, Columbia MO 65201, 573-446-7768 to order official plans and specifications.
8. **All bids shall be submitted on the bid form without additional terms and conditions, modifications, or stipulations. Each space on the bid form shall be properly filled.**
9. **MBE/WBE/SDVE participation requirements can be found in DIVISION 00. The MBE/WBE/SDVE participation goals are 10%/10%/3%, respectively. Only certified firms as of the bid opening date can be used to satisfy the MBE/WBE/SDVE participation goals for this project. If a bidder is unable to meet a participation goal, a Good Faith Effort Determination Form must be completed. Failure to complete this process will result in rejection of the bid.**
10. The contact email for TAP Engineers LLC is [tpruess@tapengr.com](mailto:tpruess@tapengr.com).

**ATTACHMENTS:**

1. Pre-Bid Meeting Sign-In Sheet
2. Sheet S-101, Partial 1/S-101 Site Plan
3. Sheet S-506, Section 4/S-506
4. Sheet S-506, Partial Section 6/S-506

**January 21, 2021**

**END OF ADDENDUM NO. 1**

ATTACHMENT 1 - PRE-BID MEETING SIGN-IN SHEET

Pre-Bid Meeting Attendance Sheet  
 Foundation Stabilization  
 Bollinger Mill State Historic Site  
 Burfordville, MO

Project No. X1804-01  
 January 11, 2021 at 1:00 PM

Name & Title	Company Name	Phone	E-Mail Address
ERIC HIBDON PROJECT Manager	OA FMD C	573-522-0322	Eric.Hibdon@oa.mo.gov
SCOTT MYERS District Supervisor	Custom Cut	573-204-7800	scott@ccfillc.net
TOM BURCH	MTS Contracting	417-865-9991	tom@mtscontracting.com
TED PRUSS RON POWELL	TAP ENGINEERS	314-378-9731	tpruss@tapengr.com
MATT ZOELLNER President Zoellner Const	Zoellner Construction	573-768-1232	MATZ@ZCCD.BIZ
Johnny Guffey Estimator	Zaether Const.	573-547-8030	johnnyg@zcco.biz
Steve Pinkley Carpenter	Carpenters	314-803-9202	SPinkley@carpdc.org

Pre-Bid Meeting Attendance Sheet  
 Foundation Stabilization  
 Bollinger Mill State Historic Site  
 Burfordville, MO

Project No. X1804-01  
 January 11, 2021 at 1:00 PM

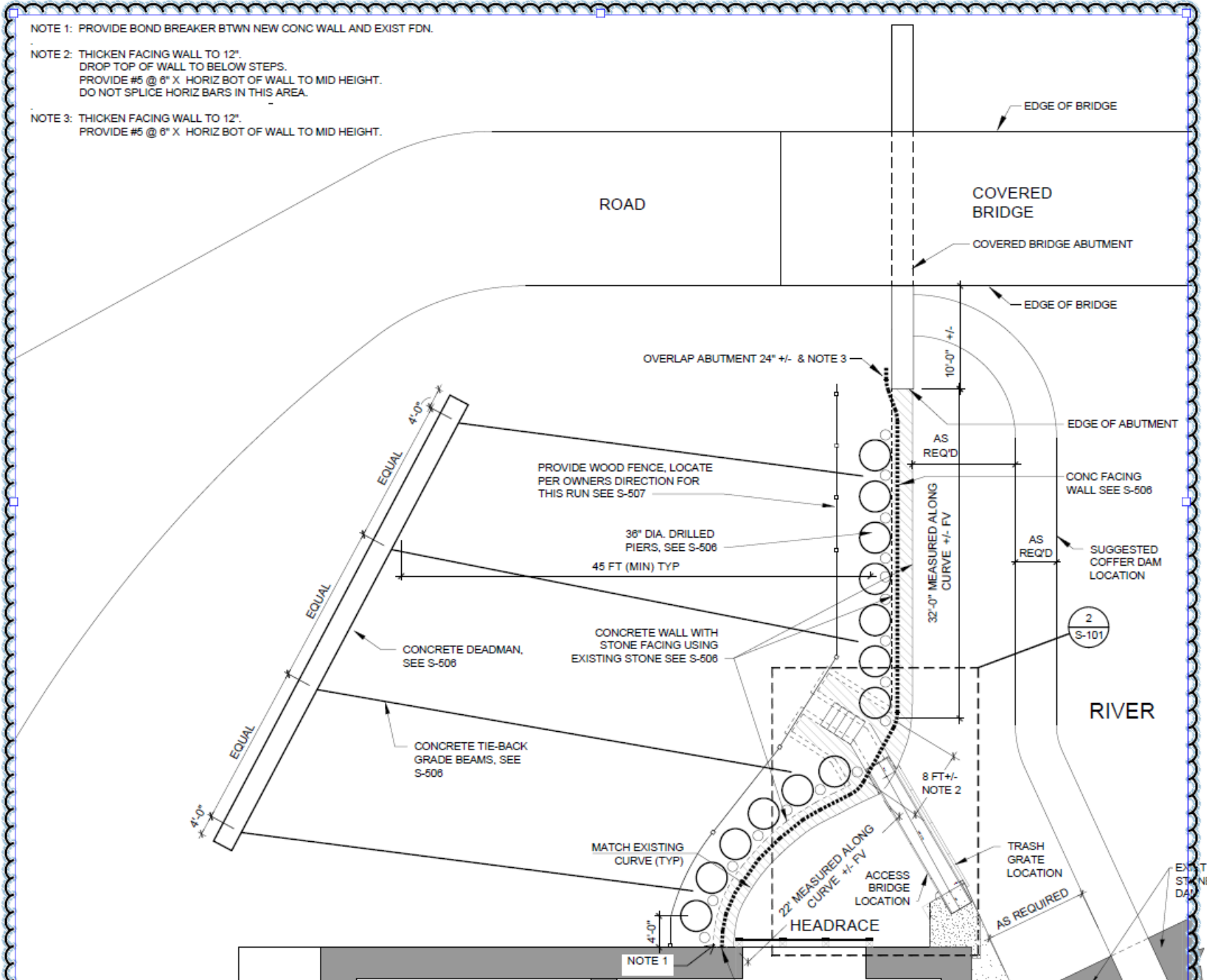
Name & Title	Company Name	Phone	E-Mail Address
Tim Harlow Architect	MO. DNR MSP	573-301-4849	tim.harlow@dnr.mo.gov
Chris Layton ESTIMATOR	ROBSON IHC	(513) 517-8409	clayton@rco.com
Kevin MULTIVERS C.P.	O A / FURC	636-524-9402	Kevin.HUC7beaks@O.A.MO.GOV
JEFF Sr. Estimator	Concrete Strategies	314-410-5675	boysterj@concretestrategies.com
DAVID STINSON Dove Becker Treviz Slayton	Robertson Contractors	573-785-0880	david@robertsoncontractors.com
COREY THOMAS VICE-PRESIDENT	FISHNY RESTORATION SERVICES	913-710-6121	CTHOMAS@FISHNY.COM
ADRIE MARTIN OWNER	MARTIN GENERAL CONTRACTORS	573-485-2107	M.MARTIN@ MARTIN-GC.COM

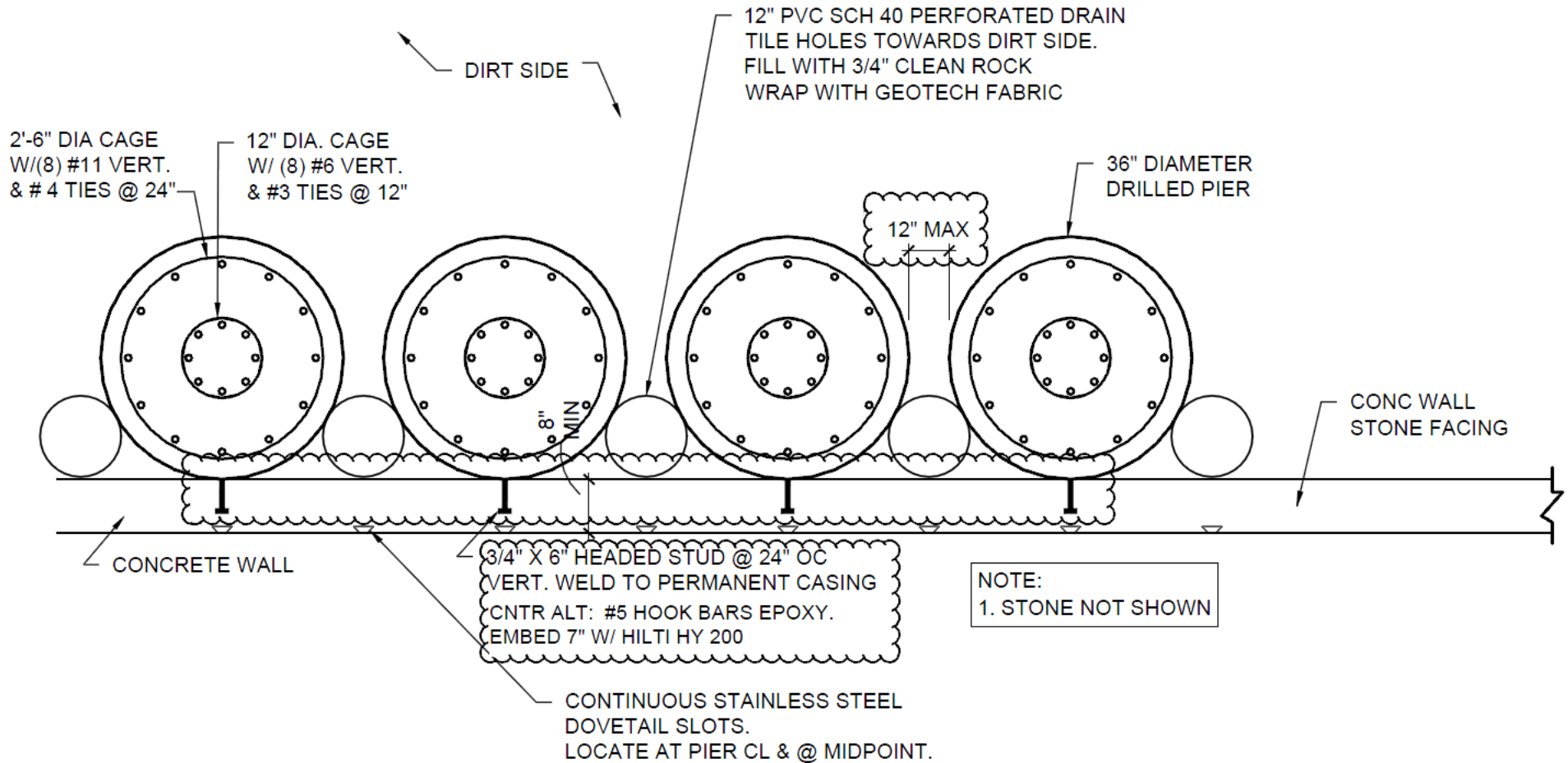
Pre-Bid Meeting Attendance Sheet  
 Foundation Stabilization  
 Bollinger Mill State Historic Site  
 Burfordville, MO

Project No. X1804-01  
 January 11, 2021 at 1:00 PM

Name & Title	Company Name	Phone	E-Mail Address
Steph Longstom Estimator	Putz Co.	573-979-6275	StephLongstom@Putz.com.com
Michael Putz	Putz Co.	573 579-4520	mputz@Putz.com.com
Kelvin Hoggard	R.H. Persons Const. Inc.	573-686-1323	khoggard@rpersons.com
Leo Araredo	DYNAMIC WATERCOVERING LLC.	573-772-5154	leo@dynamicwatercovering.com
Tate Lietzau-Mowers	BROCKMILLER CONSTRUCTION	573-756-2516	bids@brockmillerconstruction.com
Jonash Holinsky	RIHC	573-517-5158	jonash@rihc.com

**ATTACHMENT 2 - SHEET S-101, Partial 1/S-101 SITE PLAN**



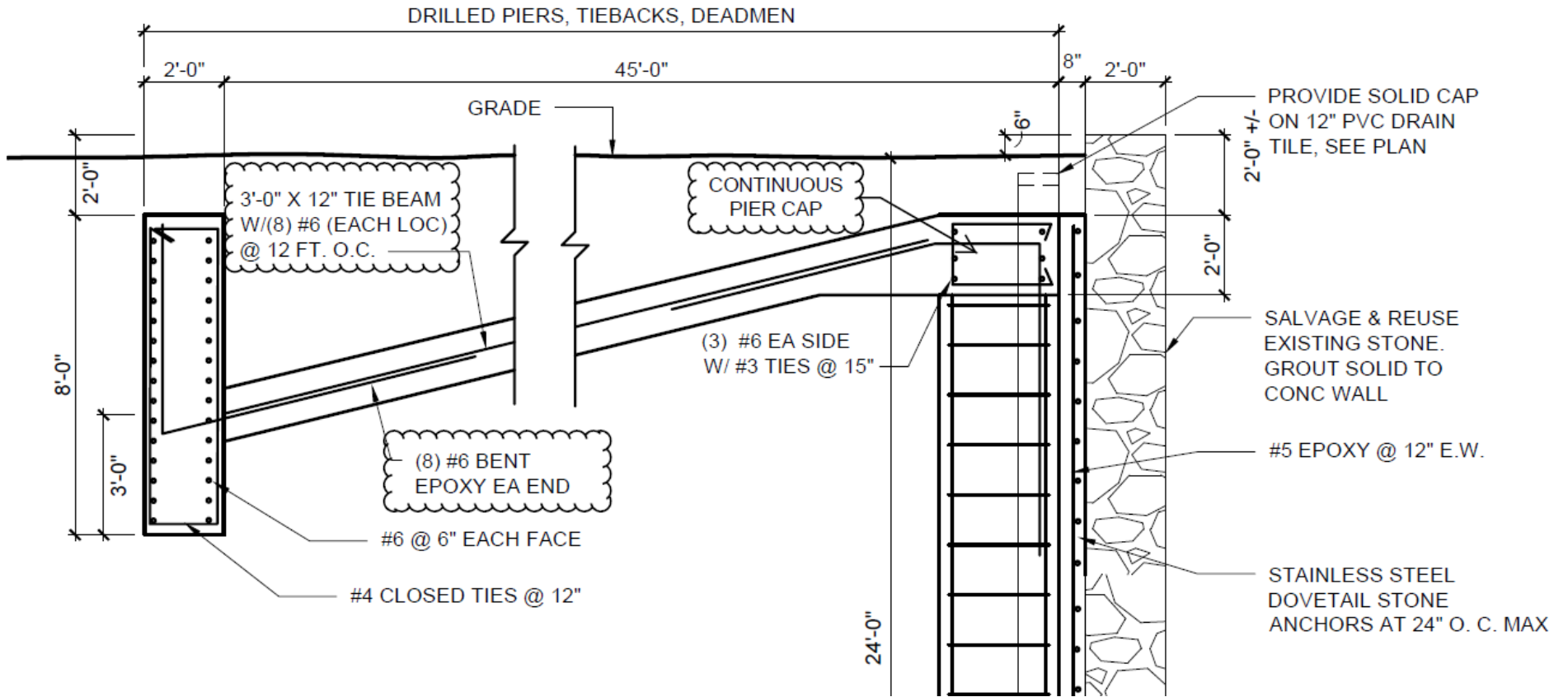


4  
S-506

# RETAINING WALL PLAN

1/2" = 1'-0"





6  
S-506

# RETAINING WALL SECTION

1/4" = 1'-0"

NOTE: ONLY UPPER PORTION OF SECTION IS SHOWN HERE