

ADDENDUM NO. 1

TO: PLANS AND SPECIFICATIONS FOR STATE OF MISSOURI

**Change Of Scope Rebid
Replace HVAC Barracks Camp Derricotte
Cuivre River State Park
Troy, Missouri
PROJECT NO. X2115-01**

Bid Opening Date: 1:30 PM, Tuesday, April 19, 2022 (Not Changed)

Bidders are hereby informed that the construction Plans and/or Specifications are modified as follows:

DRAWING CHANGES:

1. Sheet G-2
 - a. Add attached Camp Derricotte HVAC Enclosure detail dated 4/11/22.

GENERAL COMMENTS:

1. The Pre-Bid Meeting was held April 5, 2022 at 2:00 PM. The Pre-Bid Meeting sign-in sheet is attached.
2. Bidders needing additional site inspection should contact Jason Harrison, DNR/Cuivre River State Park Site Superintendent at (636) 528-7247 to schedule a time.
3. Please contact Mandy Roberson, Contract Specialist, at 573-522-0074 or Mandy.Roberson@oa.mo.gov for questions regarding bidding procedures and MBE/WBE/SDVE goals and submittal requirements.
4. Changes to, or clarification of, the Bid Documents are only made as issued in the Addenda. The deadline for technical questions was Monday, April 11, 2022 at noon. All technical questions have been answered by Building Envelope Consultants, LTD, and are issued in this addendum.
5. Current Plan holders list is available at American Document Solutions website - [CHANGE OF SCOPE REBID X2115-01 Replace HVAC Barracks Camp Derricotte-Cuivre River State Park :: Plan Holders :: State of Missouri Office of Administration \(oafmdcplanroom.com\)](http://CHANGE OF SCOPE REBID X2115-01 Replace HVAC Barracks Camp Derricotte-Cuivre River State Park :: Plan Holders :: State of Missouri Office of Administration (oafmdcplanroom.com))
6. Prospective bidders contact American Document Solutions, 1400 Forum Blvd Suite 1C, Columbia MO 65201, 573-446-7768 to order official plans and specifications.
7. **All bids shall be submitted on the bid form without additional terms and conditions, modifications, or stipulations. Each space on the bid form shall be properly filled including a bid amount for each alternate. Failure to do so will result in rejection of the bid.**
8. **MBE/WBE/SDVE participation requirements can be found in DIVISION 00. The MBE/WBE/SDVE participation goals are 10%/10%/3%, respectively. Only certified firms as of the bid opening date can be used to satisfy the MBE/WBE/SDVE**

participation goals for this project. If a bidder is unable to meet a participation goal, a Good Faith Effort Determination Form must be completed. Failure to complete this process will result in rejection of the bid.

ATTACHMENTS:

1. Camp Derricotte HVAC Enclosure Detail
2. Pre-Bid Meeting Sign-In Sheet

April 13, 2022

END OF ADDENDUM NO. 1



Building Envelope Consultants, Ltd.

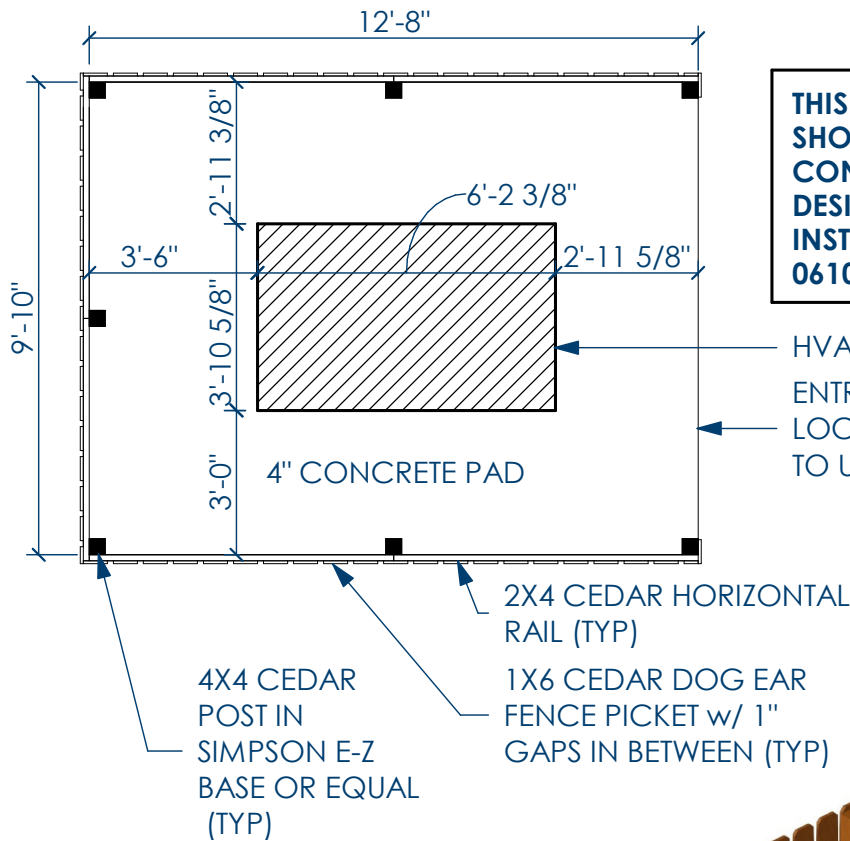
Architects • Engineers • Roof Consultants

Headquarters:
P.O. Box 1307
Waukesha, WI 53187
Phone: 888-549-1930

Edina, MN
Chicago, IL
Denver, CO
Chesterfield, MO
Kansas City, MO
Indianapolis, IN

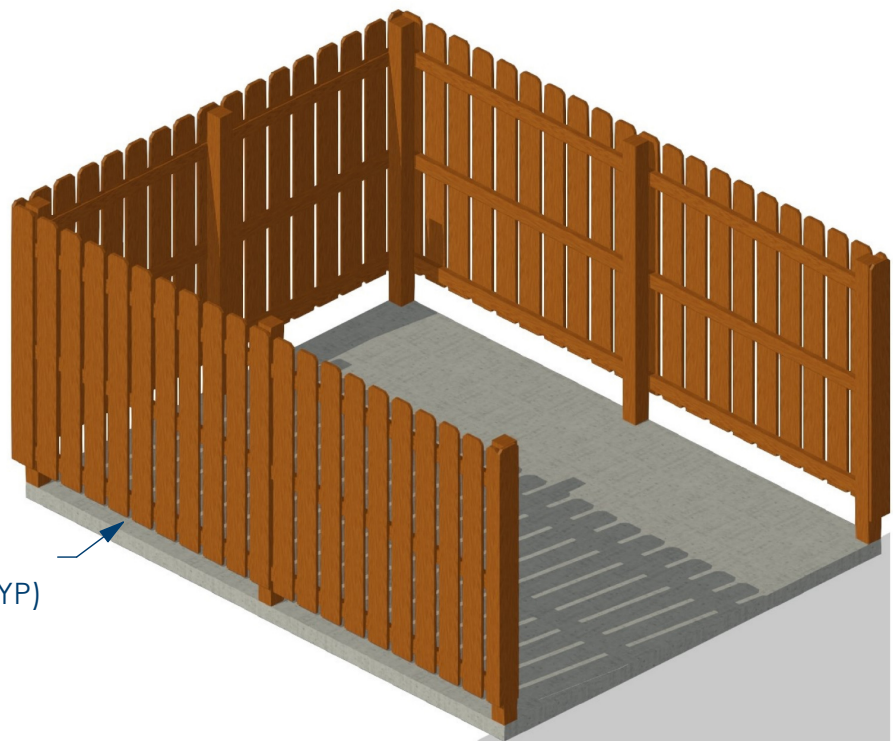
PROJECT NAME: **CAMP DERRICOTTE HVAC ENCLOSURE**

DATE: **4/11/22** SHEET NUMBER: **1 OF 1**



THIS DRAWING IS PROVIDED TO SHOW TYPICAL ENCLOSURE CONFIGURATION. FINAL ENCLOSURE DESIGN IS SUBJECT TO HVAC UNIT INSTALLED. PLEASE REFER TO SECTION 061053 2.1 C&D OF THE SPECIFICATIONS.

HVAC UNIT
ENTRANCE/SERVICE GATE TO BE LOCATED FOR CONVENIENT ACCESS TO UNIT MAINTENANCE LOCATION



6" CLEARANCE BETWEEN TOP OF CONCRETE SLAB & BOTTOM OF PICKETS (TYP)

Pre-Bid Meeting Attendance Sheet
 Change of Scope Rebid
 Replace HVAC Barracks
 Camp Derricotte
 Cuivre River State Park
 Troy, MO

Project No. X2115-01
 April 5, 2022 at 2:00 PM

Name & Title	Company Name	Phone	E-Mail Address
Eric Hibdon	OA FMDC	573-522-0322	Eric.Hibdon@oa.mo.gov
Mike Howard	OA FMDC	636-524-8503	Mike.Howard@oa.mo.gov
EMAD FADOUL	BUILDING ENVELOPE CONS.	(503)462-2448	emad.f@building-envelope.net
Bryan Voss	United Mechanical Service	573-536-1653	bryan.voss@unitedmechanical.com
DAVID MUNDWILLER	MUNDWILLER ELEC LLC	636 239 1058	bids@mundwillerelectric.com
MFAE MARTIN	MARTIN-GERRARD CONTRACTORS LLC	573-485-2107	MMARTIN@MARTIN-GC.COM
Nathan Grosske	MO State Parks	573-619-8095	nathan.grosske@dnr.mo.gov
Kevin Albrecht	MO State Park	314-210-7290	kevin.albrecht@dnr.mo.gov